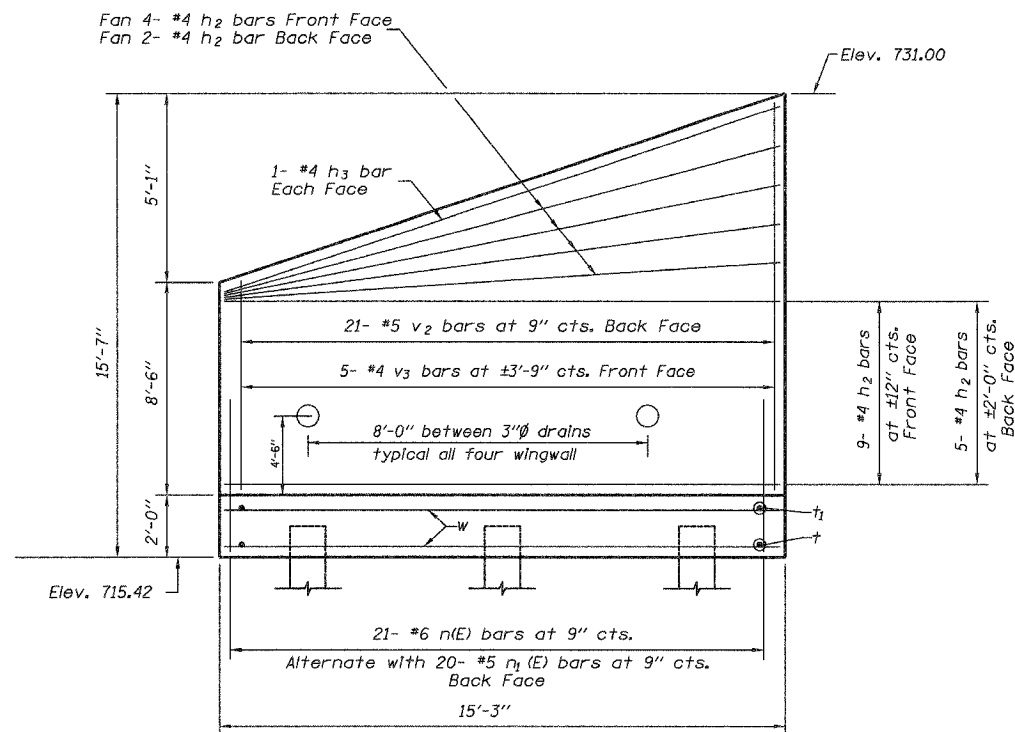


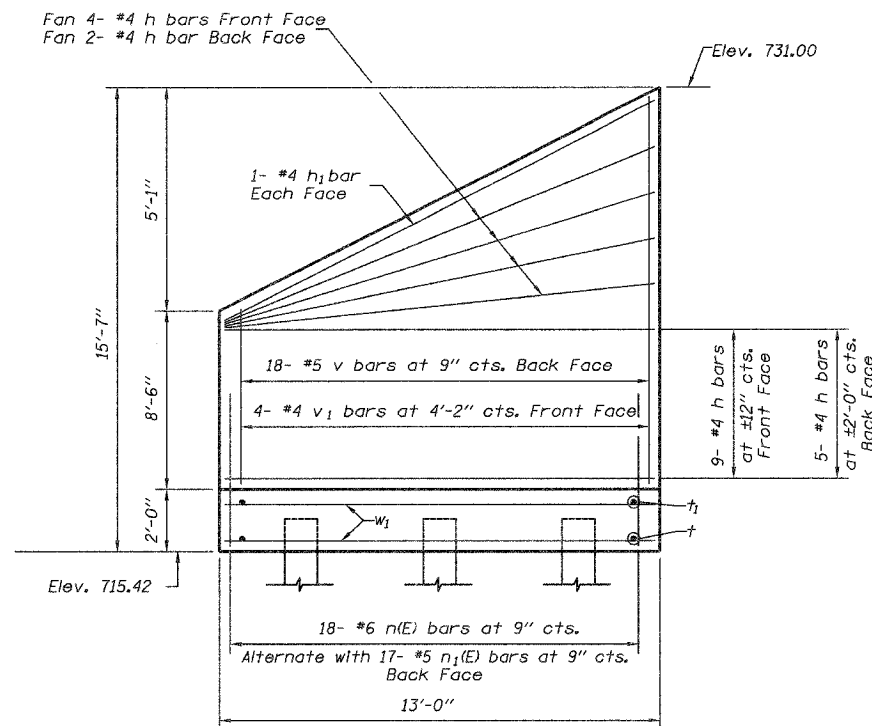
STATE OF ILLINOIS
DEPARTMENT OF TRANSPORTATION

ROUTE NO.	SECTION	COUNTY	SHEETS	SHEET NO.	SHEET NO. 7
FAP 505	115 BR-1	WINNEBAGO	35	16	OF 12 SHEETS
FEL. ROAD DIST. NO.	ILLINOIS	FEL. AID PROJECT			

Contract #64940



NORTHWEST AND SOUTHEAST
WINGWALL ELEVATION



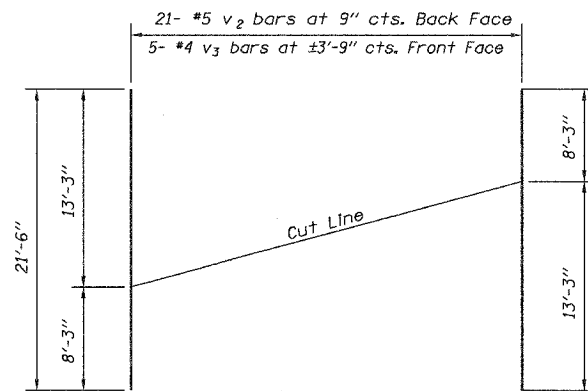
NORTHEAST AND SOUTHWEST
WINGWALL ELEVATION

Notes:

See sheet 4 of 12 for location of Section A-A.

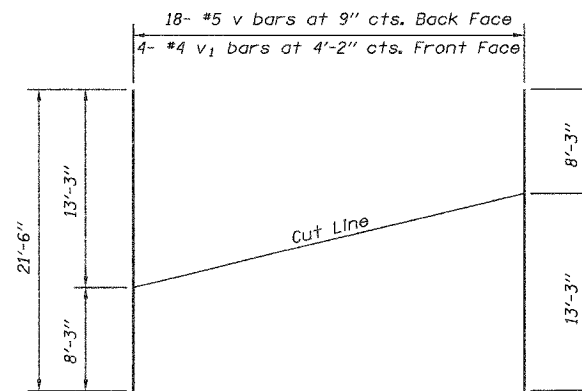
See sheet 6 of 12 for end wall details and location of v4 bars.

n(E), n1(E), t, t1, w and w1 bars are included in the Bill of material on sheet 4 of 12.



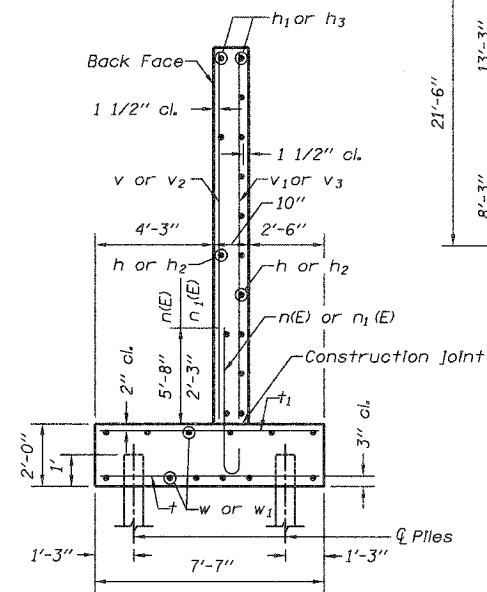
FIELD CUTTING DIAGRAM

Order v2 and v3 bars full length.
Cut to fit and use remainder
in other wingwall.



FIELD CUTTING DIAGRAM

Order v and v1 bars full length.
Cut to fit and use remainder
in other wingwall.



SECTION A-A

WINGWALL
BILL OF MATERIAL

Bar	No.	Size	Length	Shape
h	40	#4	12'-9"	---
h1	4	#4	13'-8"	---
h2	40	#4	15'-0"	---
h3	4	#4	15'-9"	---
v	18	#5	21'-6"	---
v1	4	#4	21'-6"	---
v2	21	#5	21'-6"	---
v3	5	#4	21'-6"	---
v4	8	#5	12'-11"	---
Concrete Structures		Cu Yd	21.3	
Reinforcement Bars		Pound	1930	

Reinforcement Bars designated (E) shall be epoxy coated.

Includes Concrete Structures for end walls. Concrete Structures for Wingwall footings not included.

DESIGNED	JLS
CHECKED	JDA
DRAWN	NOE
CHECKED	JLS

WINGWALL DETAILS
IL RTE 75 OVER
TIMOTHY CREEK
FAP ROUTE 505
SECTION 115BR-1
WINNEBAGO COUNTY
STA. 63+23.20
SN 101-0183