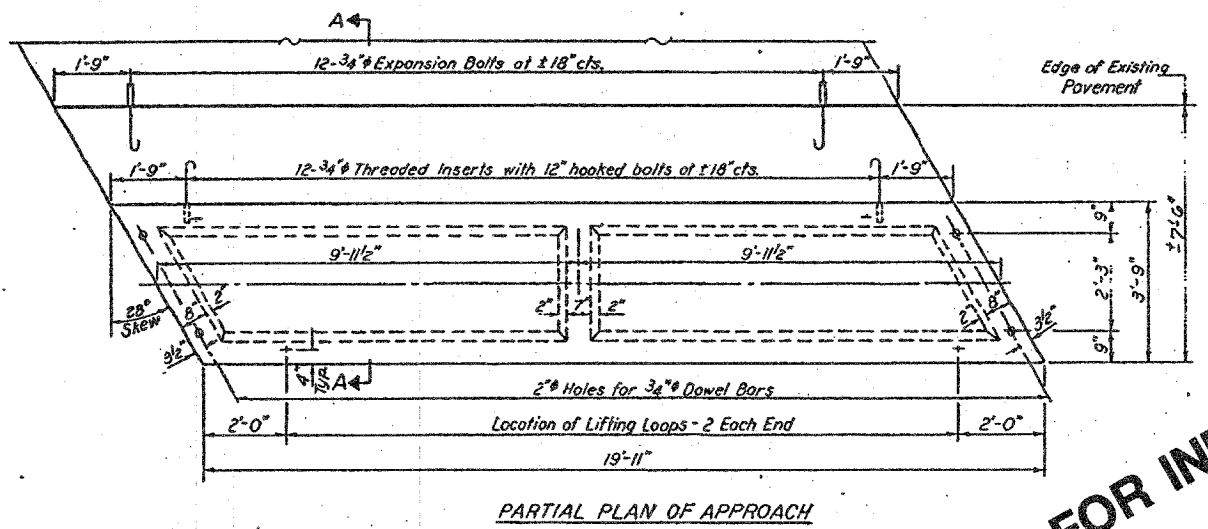
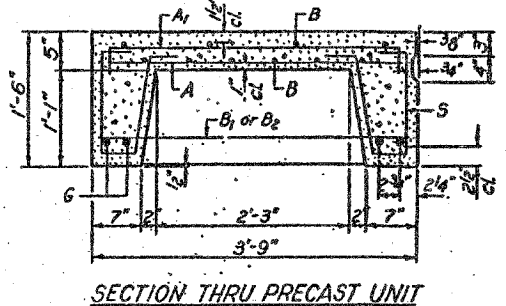
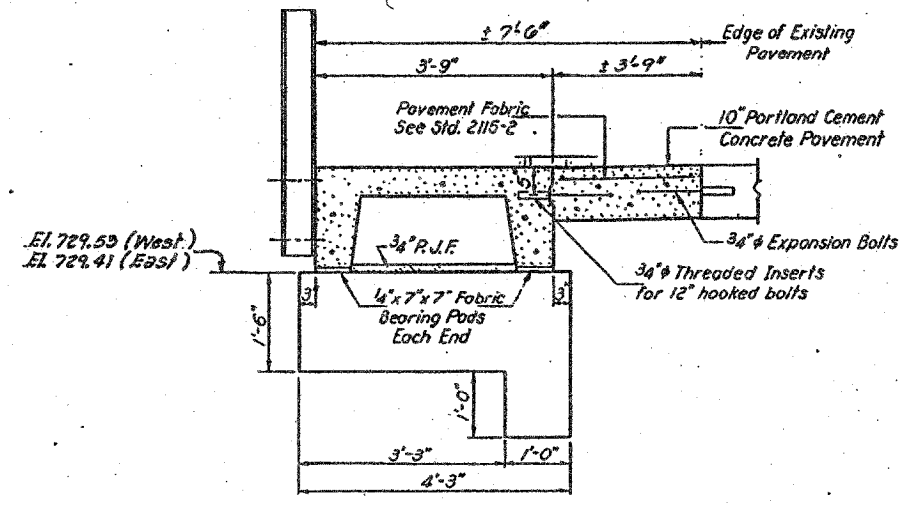
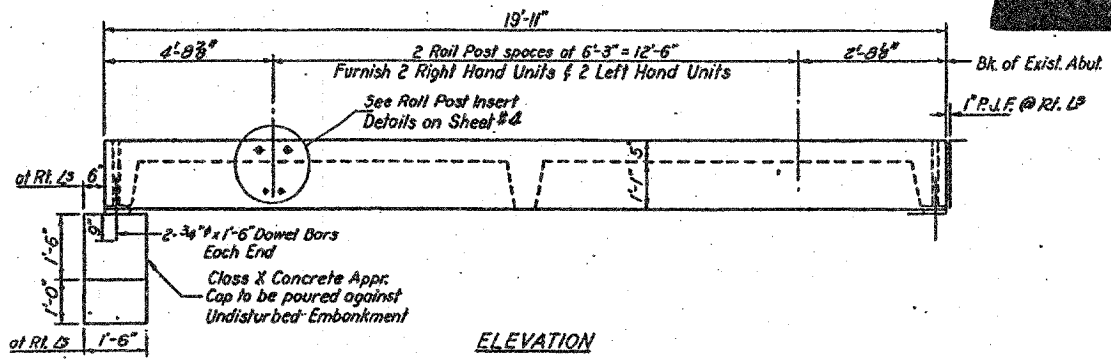
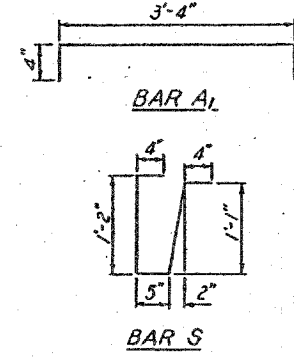
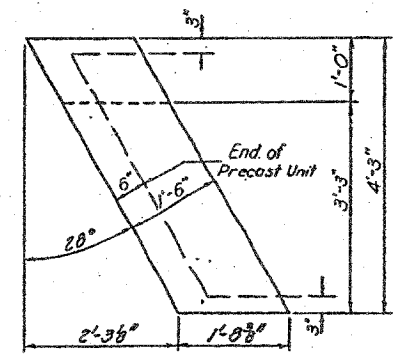


STATE OF ILLINOIS

DATE	NO.	BY	CHKD.	REV.	SHEET NO. 2 6 SHEETS
7/73	1158R	WYNNEDAGO	B	4	
FOR DESIGN BY: [Redacted]					
FOR APPROVAL BY: [Redacted]					

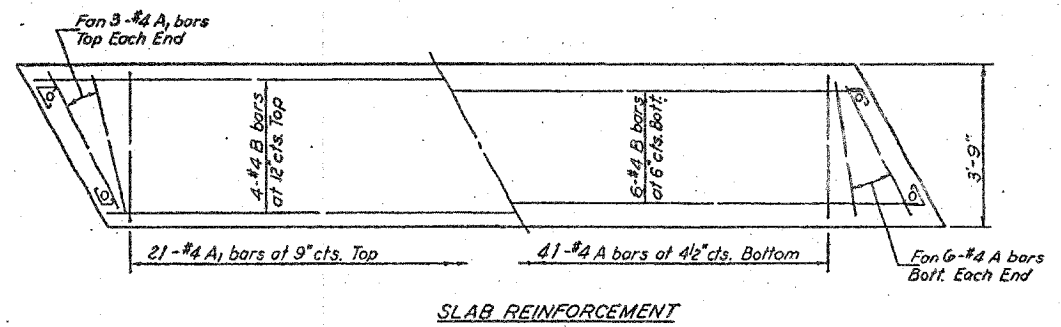
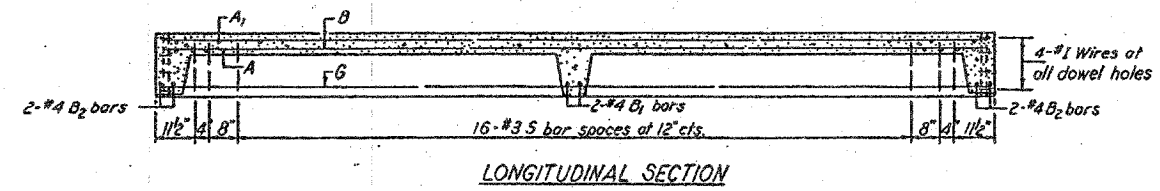


FOR INFORMATION ONLY



**BAR LIST - ONE UNIT**  
 Reinforcement to be cast into slab

Bar	No	Size	Length	Shape
A	23	#4	3'-3"	—
A1	27	#4	4'-0"	—
B	10	#4	19'-6"	—
B1	2	#4	3'-6"	—
B2	4	#4	4'-0"	—
G	4	#10	19'-6"	—
S	42	#3	3'-4"	U



DESIGNED: *Man. McCormick*  
 CHECKED: *M. J. Armstrong*  
 DRAWN: *J.L. Armstrong*  
 EXAMINED: *[Signature]*  
 PASSED: *[Signature]*  
 DATE: April 27 1971

**NOTES**

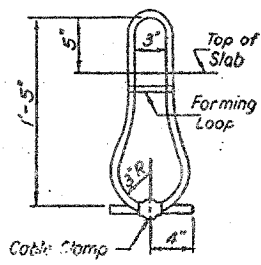
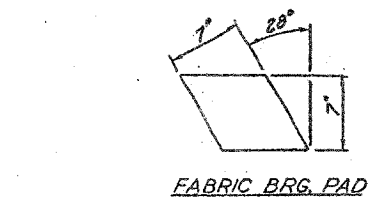
Unless otherwise approved by the Engineer, lifting loops shall be 1/2", 6x19 class wire rope with fiber core and shall have a minimum ultimate strength of 18,700 lbs. Loops shall be burned off after slab has been erected. Holes shall be drilled and anchor dowels grouted in place.

Cost of reinforcement and accessories cast into the slab unit, bearing pads, furnishing, drilling for, placing and grouting anchor dowels and 3/4" hooked bolts is included in Unit bid price for "Precast Concrete Bridge Slab."

The Precast Concrete Bridge Slab shall be erected and aligned with the exterior face of the exterior Deck Beam after Deck Beams are in final position.

**BILL OF MATERIAL**

Item	Unit	Quantity
Precast Concrete Bridge Slab	Sq. Ft.	299
Portland Cement Concrete Pavement (10")	Sq. Yds.	33
Pavement Fabric	Sq. Yds.	33
Expansion Bolts 3/4"	Each	48
Class X Concrete	Cu. Yds.	1.8



**STRESSES**

f<sub>c</sub> = 4,500 psi  
 f<sub>s</sub> = 18,000 psi  
 f<sub>c</sub> = 3,000 psi  
 n = 8

**APPROACH DETAILS**