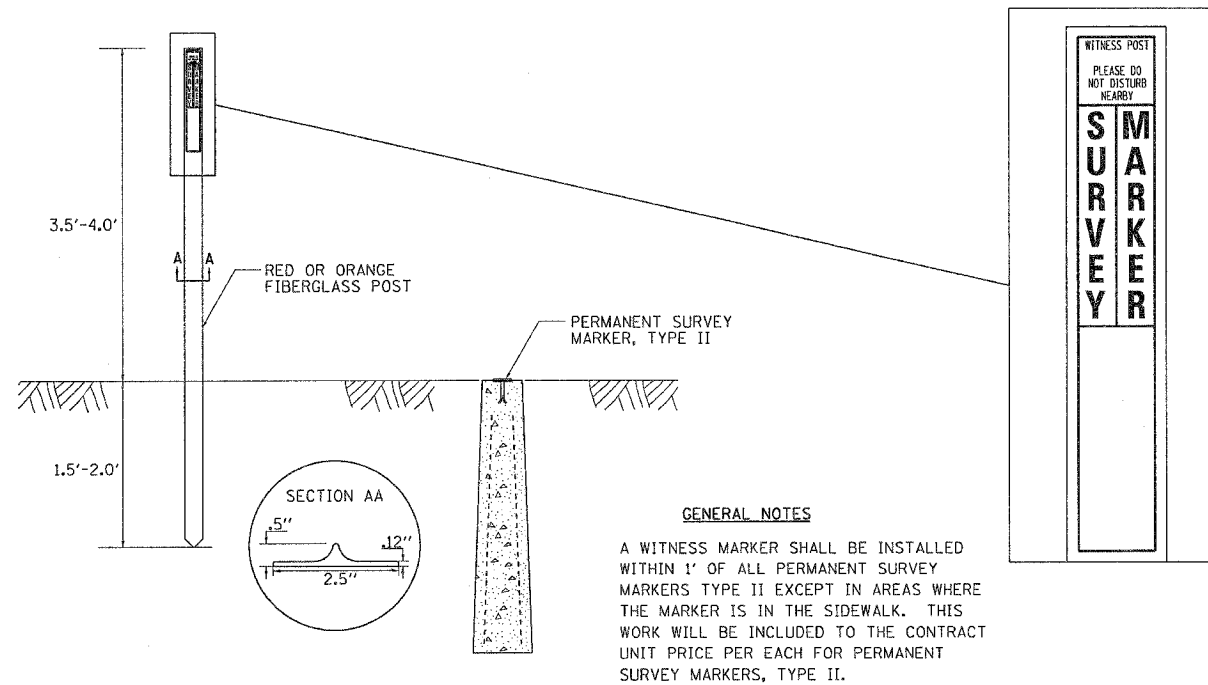
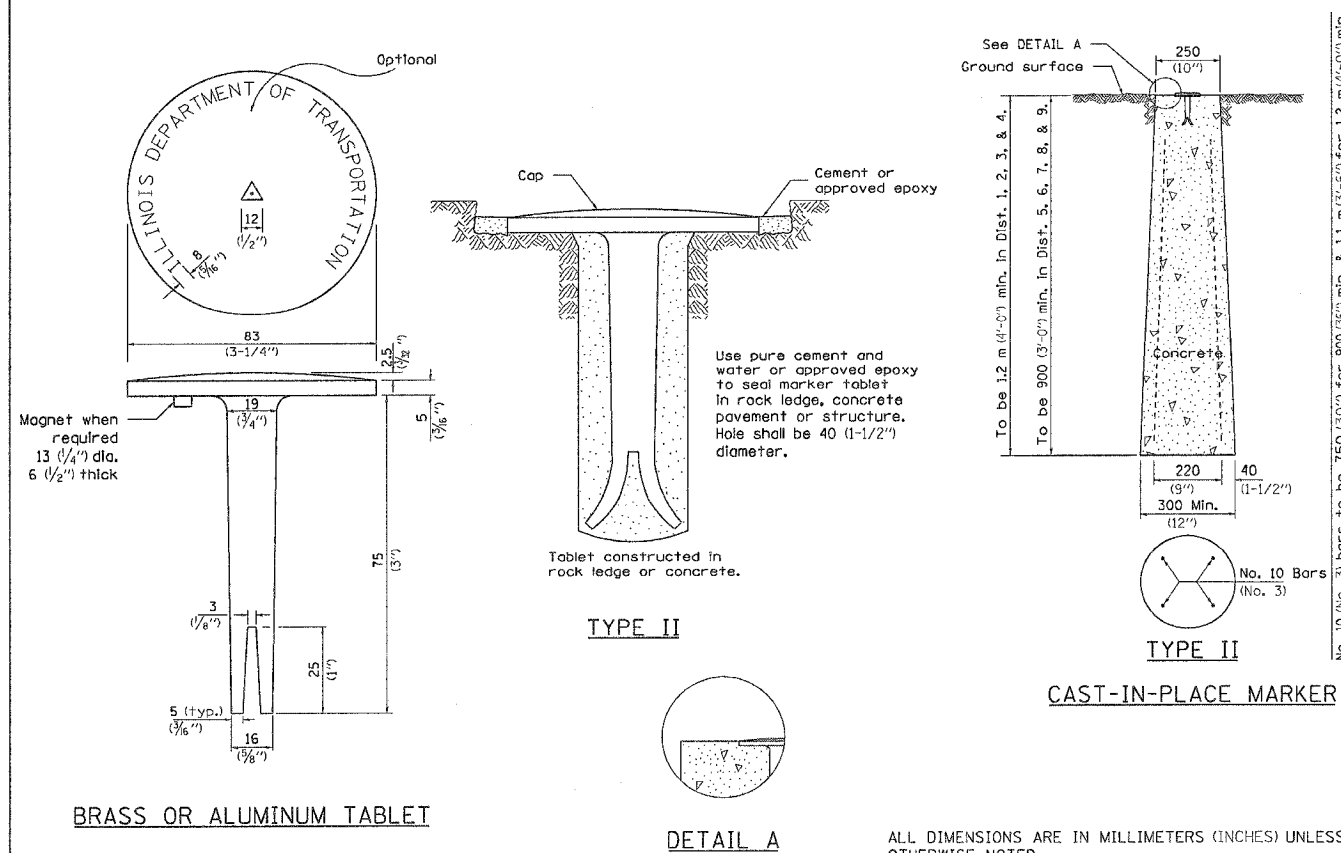


F.A.P. RTE.	SECTION	COUNTY	TOTAL SHEETS	SHEET NO.
505	115BR-1	WINNEBAGO	35	31A
STA.		TO STA.		
FED. ROAD DIST. NO.		ILLINOIS	FED. AID PROJECT	

WITNESS MARKER FOR PERMANENT SURVEY MARKERS, TYPE II



PERMANENT SURVEY MARKERS, TYPE II



PLUT DATE = Wed Jun 28 09:27:21 2006
 FILE NAME = C:\p\meta\halla\2091825pl.dgn
 PLOT SCALE = 5000000. / IN.
 REFERENCE = REF#