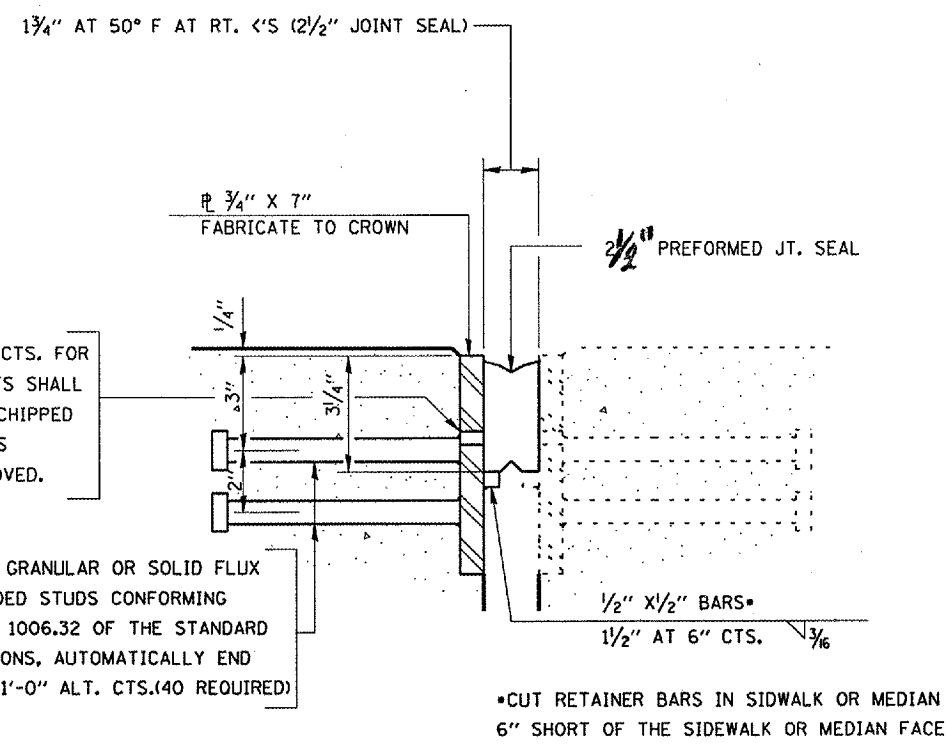
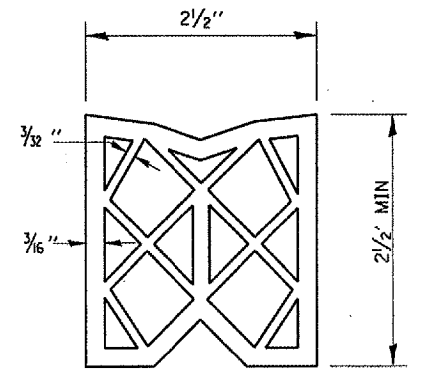


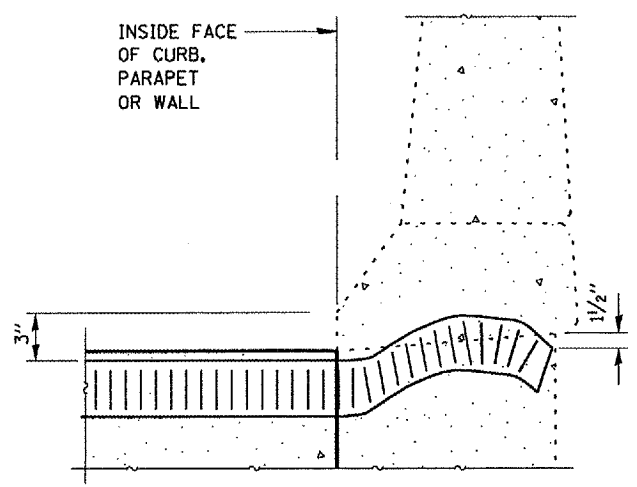
F.A.I. RTE.	SECTION	COUNTY	TOTAL SHEETS	SHEET NO.
39	(50-1VB)I-3	LASALLE	16	9
FED. ROAD DIST. NO.		ILLINOIS	NON-FED. AID PROJECT	



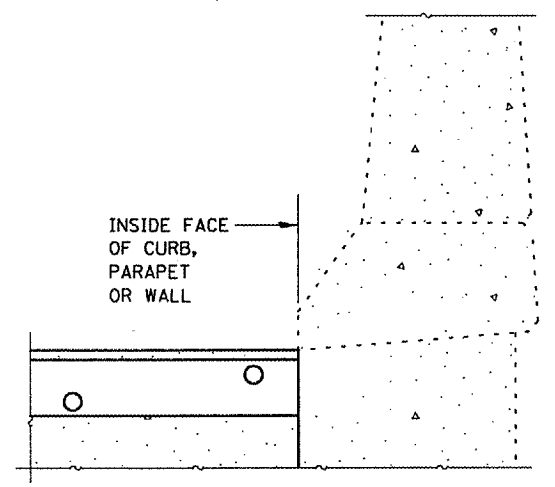
SECTION THRU EXPANSION JOINT
(2 1/2" JOINT SEALS)



PREFORMED JOINT SEAL
(2 1/2")

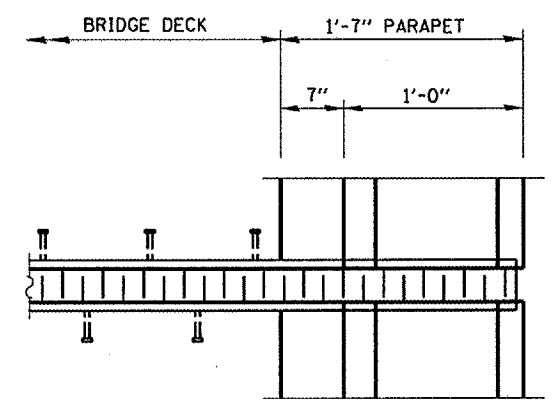


AT PARAPET
(SHOWING SEAL)



AT PARAPET
(Showing plate)

TYPICAL END TREATMENTS



PLAN AT PARAPET

BILL OF MATERIAL FOR ONE ABUTMENT ONLY

Item	Unit	Total
PREFORMED JOINT SEAL 2 1/2"	FOOT	43

REVISIONS	
NAME	DATE

ILLINOIS DEPARTMENT OF TRANSPORTATION
EXPANSION JOINT ASSEMBLY DETAILS
 F.A.I. ROUTE 39 OVER NORFOLK SOUTHERN RAILROAD
 F.A.I. ROUTE 39 SECTION: (50-1VB)I-3
 LASALLE COUNTY
 STA. 565 + 86.08

NOTE: DETAILS SHOWN FOR NORTHBOUND STRUCTURE ONLY
 SOUTHBOUND STRUCTURE SAME THROUGH ROTATION

Date: 05/09/2006
 File: c:\projects\cma1\07\cm303\details.dgn

EJ-BJS 9-01-03