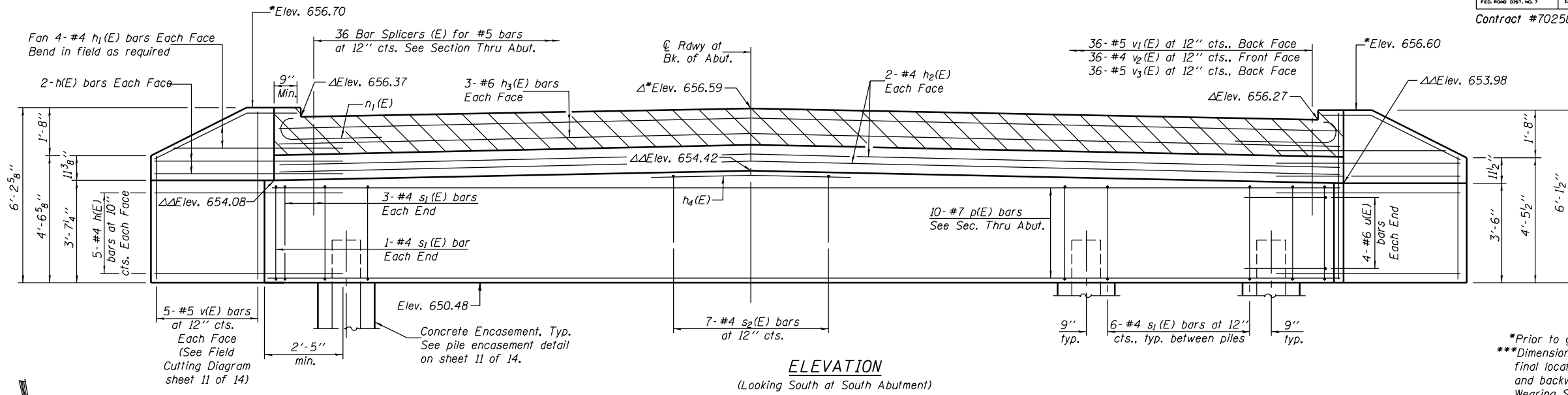


STATE OF ILLINOIS
DEPARTMENT OF TRANSPORTATION

ROUTE NO.	SECTION	COUNTY	TOTAL SHEETS	SHEET NO.
FAS 1671	**	DOUGLAS	181	79
FED. ROAD DIST. NO. 7	ILLINOIS	FED. AID PROJECT-		

SHEET NO. 9
14 SHEETS

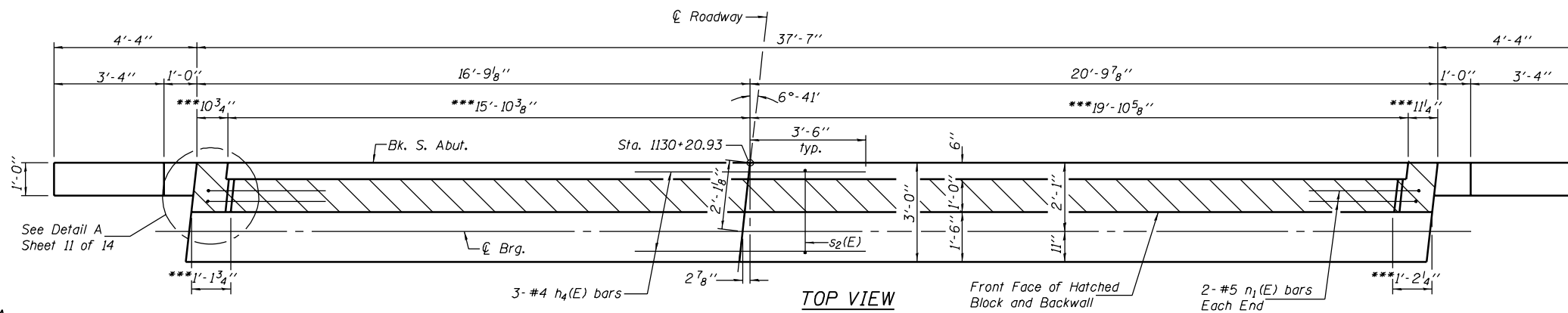
Contract #70258 **144SBR-2 & 22VBR-1



ELEVATION
(Looking South at South Abutment)

*Prior to grinding
***Dimensions may vary depending on final location of exterior beams. Hatched area and backwall to be poured after Concrete Wearing Surface is in place and cured.

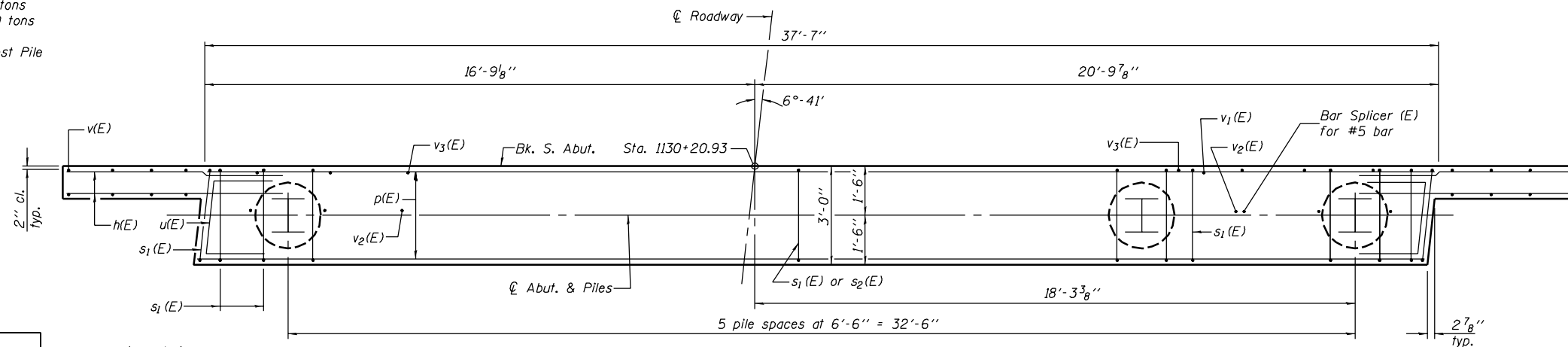
Δ Elevation at Front Face of Hatch Block.
ΔΔ Elevation at Front Face of Backwall.



TOP VIEW

PILE DATA

Type: HP12x53
Design Capacity: 40 tons
Required Bearing: 60 tons
Est. Length: 24 ft.
No. Required: 5+1 Test Pile



PLAN

Notes: For Bar Splicer details see sheet 13 of 14.
Reinforcement bars designated (E) shall be epoxy coated.
Space reinforcement in cap to miss dowel rods.

DESIGNED	SMR
CHECKED	PRL
DRAWN	BECKY M. LEACH
CHECKED	SMR/PRL

August 4, 2006
EXAMINED *Thomas J. Domagalaki*
PRINCIPAL ENGINEER OF BRIDGE DESIGN
PASSED *Ralph E. Anderson*
ENGINEER OF BRIDGES AND STRUCTURES

SOUTH ABUTMENT
F.A.S. ROUTE 1671 - SECTION 144SBR-2
DOUGLAS COUNTY
STATION 1130+72.93
STRUCTURE NO. 021-0062