

STATE OF ILLINOIS
DEPARTMENT OF TRANSPORTATION

ROUTE NO.	SECTION	COUNTY	TOTAL SHEETS	SHEET NO.
F.A.S. 1671	‡	DOUGLAS	181	96
FED. ROAD DIST. NO. 7	ILLINOIS	FED. AID PROJECT		

SHEET NO. 12
46 SHEETS

Contract #70258
‡ 22VBR-1 and 144SBR-2

Notes:

Reinforcement bars in diaphragm are billed with superstructure on sheet 11 of 46.

Concrete in diaphragm is included with Concrete Superstructure on sheet 11 of 46.

For details of bars s(E), s₁(E) and s₂(E) see sheet 11 of 46.

The s(E), s₁(E) and s₂(E) bars shall be placed parallel to the beams.

Spacing for these bars shall be at right angles to the beams.

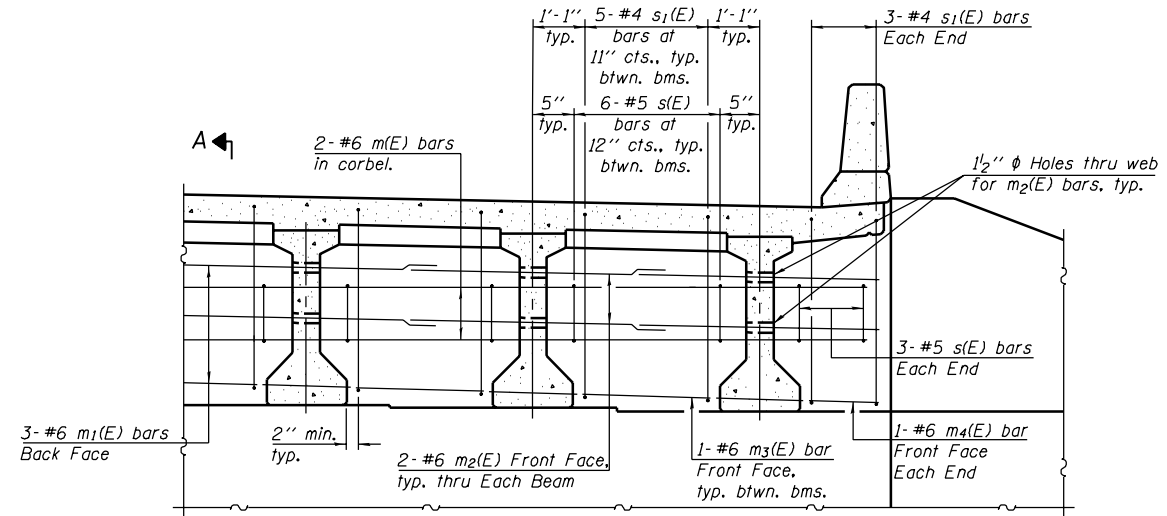
See sheet 13 of 46 for Sections A-A and B-B.

Cost of 90 Lb. roofing felt, PJF and fabric bearing pads is included with Concrete Superstructure.

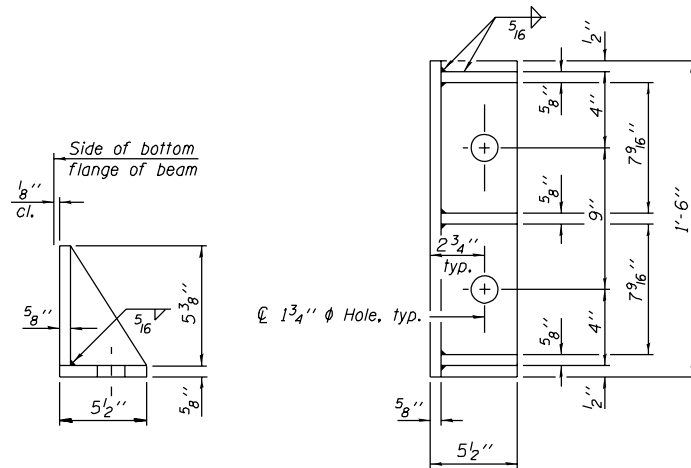
The side retainer shall be galvanized after shop fabrication according to AASHTO M 111 and ASTM A 385. Cost of side retainer and anchor bolts shall be included with Concrete Structures.

See sheet 18 of 46 for anchor bolt details.

See sheet 15 of 46 for holes thru web for m₂(E) bars.

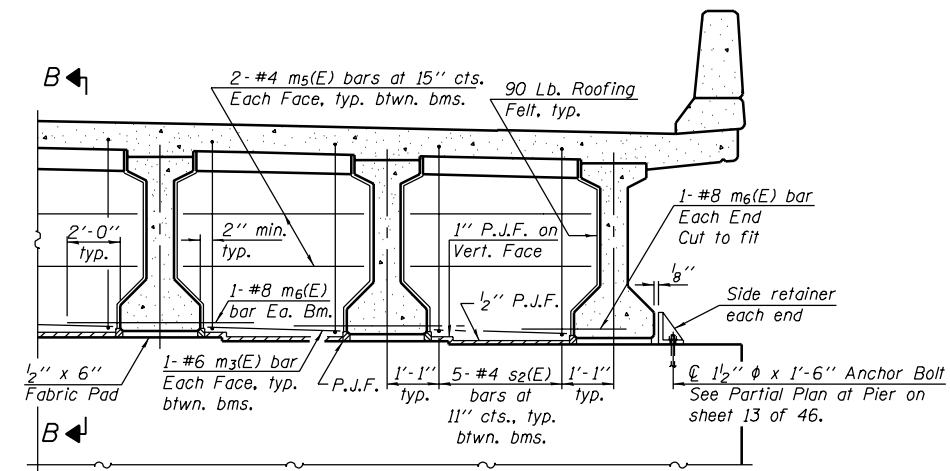


DIAPHRAGM ELEVATION AT ABUTMENT



SIDE RETAINER

Equivalent rolled angle with stiffeners will be allowed in lieu of welded plates.



DIAPHRAGM AT PIER

MIN. BAR LAP
#6 bar = 2'-9"

DESIGNED	Curt M. Evoy
CHECKED	Rebecca L. Tharp
DRAWN	Michael B. Mossman
CHECKED	C.M.E. / R.L.T.

EXAMINED	August 4, 2006
PASSED	Thomas J. Domagala ENGINEER OF BRIDGE DESIGN
	Ralph E. Anderson ENGINEER OF BRIDGES AND STRUCTURES

PI-2DI

10-22-04

DIAPHRAGM DETAILS
F.A.S. RT. 1671 - SEC. 22VBR-1
DOUGLAS COUNTY
STATION 1151+65.86
STRUCTURE NO. 021-0061