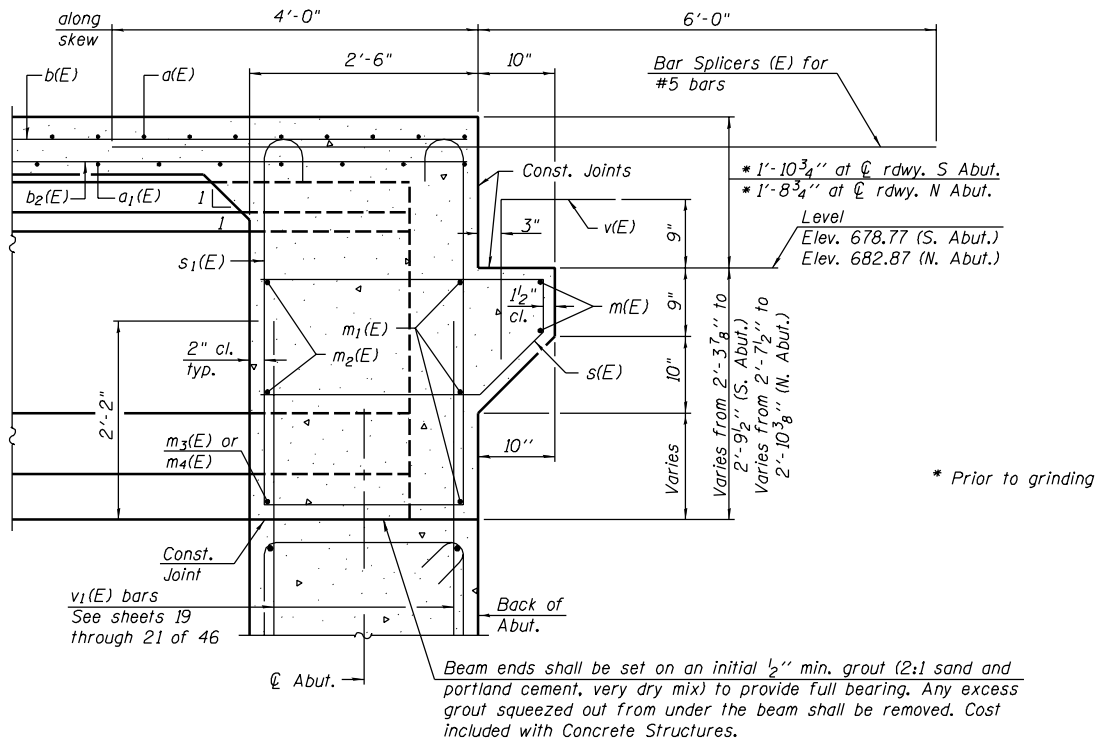


STATE OF ILLINOIS  
DEPARTMENT OF TRANSPORTATION

ROUTE NO.	SECTION	COUNTY	TOTAL SHEETS	SHEET NO.
F.A.S. 1671	‡	DOUGLAS	181	97
FED. ROAD DIST. NO. 7	ILLINOIS	FED. AID PROJECT		

SHEET NO. 13  
46 SHEETS

Contract #70258  
‡ 22VBR-1 and 144SBR-2

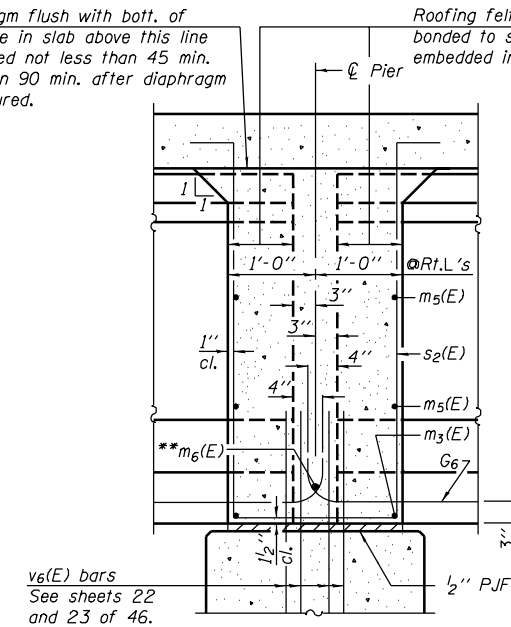


**SECTION A-A**

Dimensions at right angles to abutment, except as shown.

Pour diaphragm flush with bott. of slab. Concrete in slab above this line shall be placed not less than 45 min. nor more than 90 min. after diaphragm has been poured.

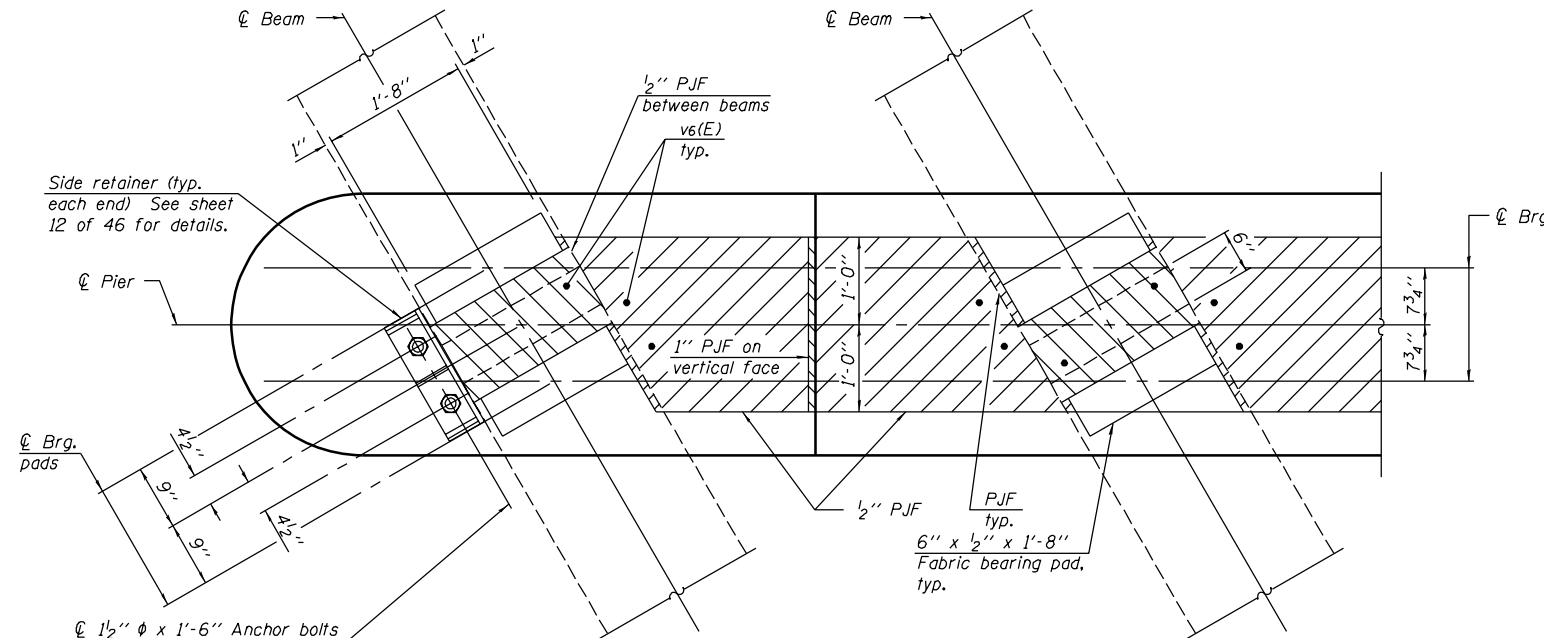
Roofing felt shall be bonded to side of beam embedded into diaphragm.



**SECTION B-B**

Dimensions along centerline of beam, except as shown.

Note:  
See sheet 12 of 46 for location of Sections A-A and B-B.  
For v6(E) bars, see sheets 22 and 23 of 46.



**PARTIAL PLAN AT PIER**  
(Showing bearing pad and P/JF details)

DESIGNED	Curt M. Evoy
CHECKED	Rebecca L. Tharp
DRAWN	Michael B. Mossman
CHECKED	C.M.E. / R.L.T.

August 4, 2006  
EXAMINED *Thomas J. Domagala*  
PASSED *Ralph E. Anderson*  
ENGINEER OF BRIDGES AND STRUCTURES

PI-2DDI

11-30-05

**DIAPHRAGM DETAILS**  
F.A.S. RT. 1671 - SEC. 22VBR-1  
DOUGLAS COUNTY  
STATION 1151+65.86  
STRUCTURE NO. 021-0061