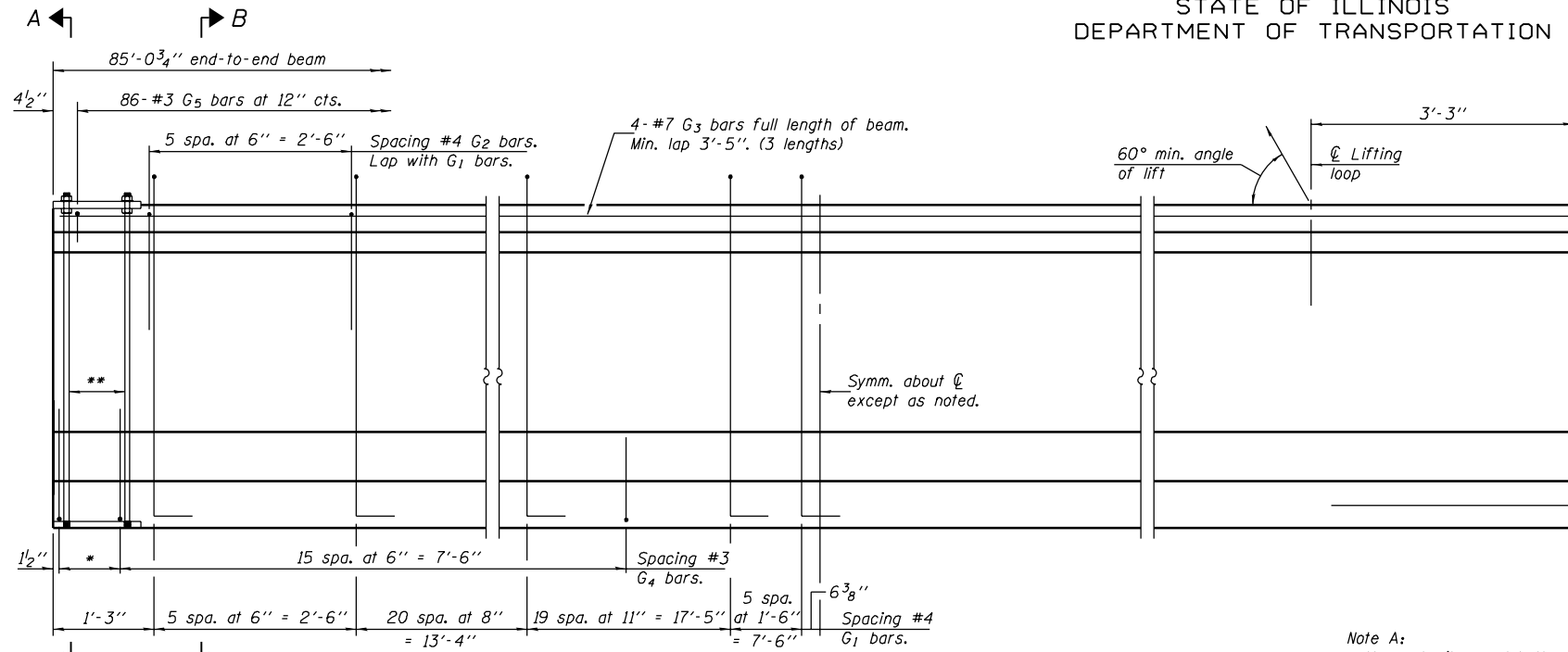


STATE OF ILLINOIS
DEPARTMENT OF TRANSPORTATION

ROUTE NO.	SECTION	COUNTY	TOTAL SHEETS	SHEET NO.
FAP 332	47BR-2	VERMILION	68	33
FED. ROAD DIST. NO. 7	ILLINOIS	FED. AID PROJECT		

SHEET NO. 14
23 SHEETS

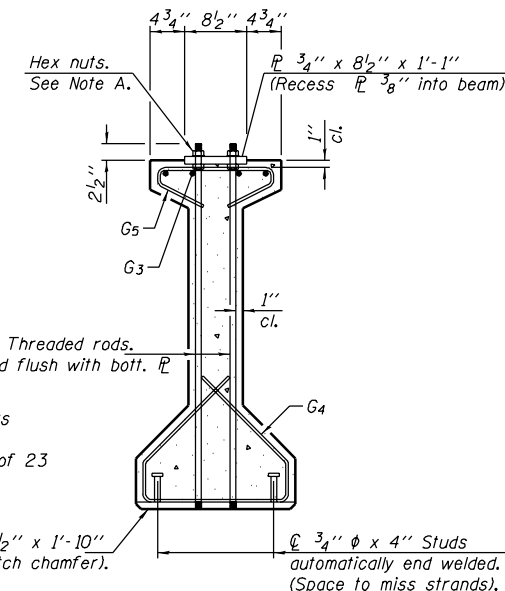
Contract #70420



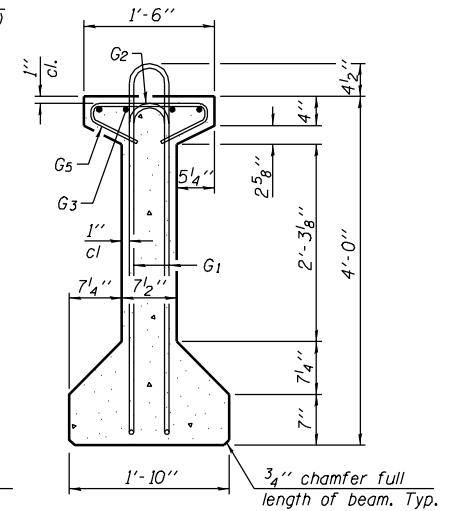
ELEVATION OF BEAM
(Showing reinforcement & dimensions)

* 3 spaces at 3" = 9".
** 4-3/4" ϕ threaded dowel rods at 3" cts., each face.

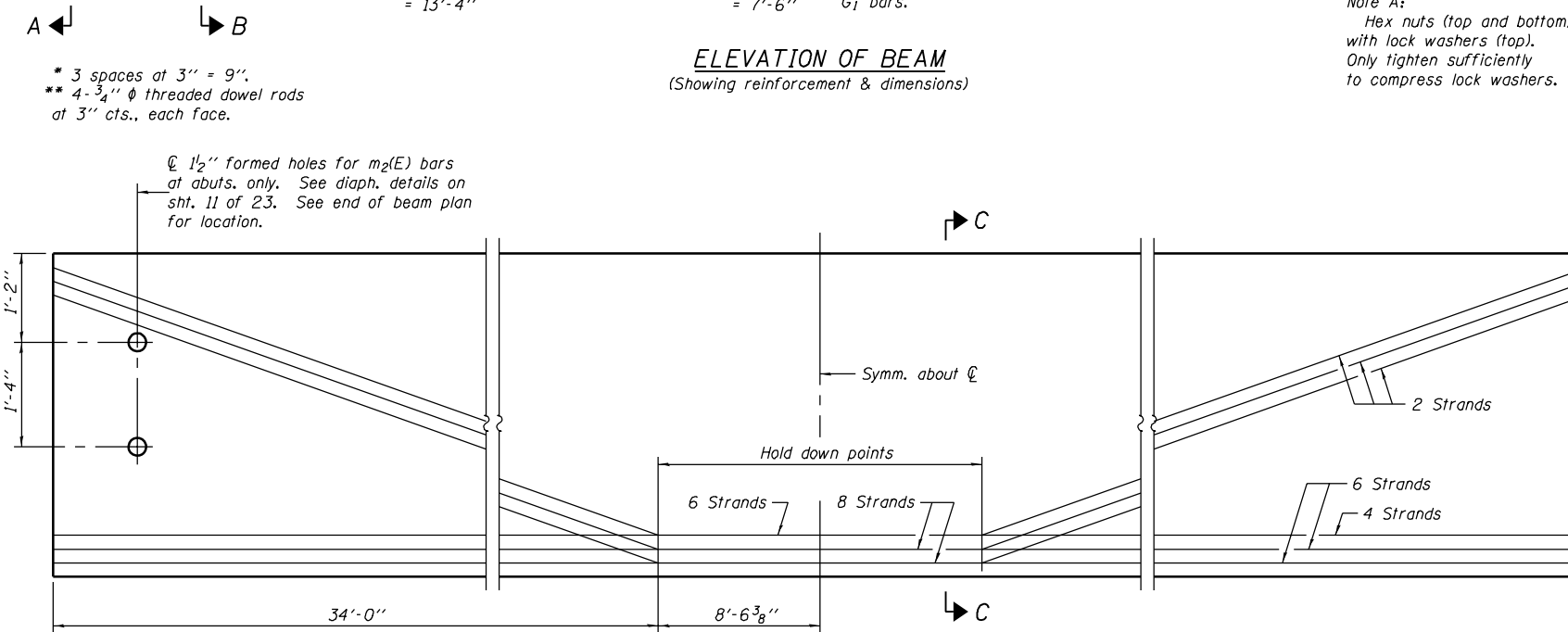
Note A:
Hex nuts (top and bottom) with lock washers (top). Only tighten sufficiently to compress lock washers.



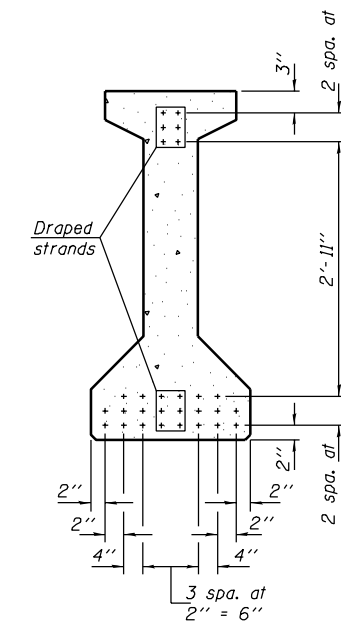
SECTION A-A



SECTION B-B



ELEVATION OF BEAM
(Showing prestressing steel)

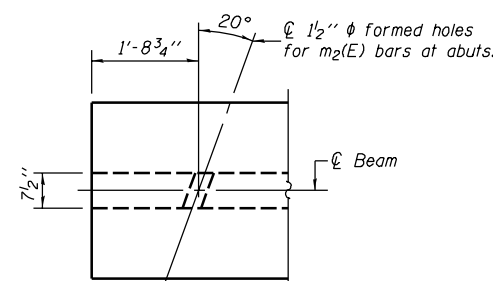


SECTION C-C

BAR LIST
ONE BEAM ONLY

Bar	No.	Size	Length	Shape
G ₁	100	#4	9'-6"	∩L
G ₂	12	#4	5'-1"	∩
G ₃	12	#7	30'-8"	—
G ₄	32	#3	5'-3"	∩
G ₅	86	#3	2'-9"	∩
G ₆	2	#8	3'-9"	∩

Notes: See sheet 16 of 23 for additional details and Bill of Material.
Required release strength, f'_{ci} , shall be 5000 psi.



END OF BEAM - PLAN

DESIGNED	D. P. Narielwala
CHECKED	S. M. Ryan
DRAWN	h.t. duong
CHECKED	DPN/SMR

August 4, 2006
EXAMINED *Thomas J. Damagala*
PASSED *Ralph E. Anderson*
ENGINEER OF BRIDGES AND STRUCTURES

PI-4-48

7-15-05

48" PPC I-BEAM (SPAN 1)
F.A.P. RTE. 332 - SEC. 47BR-2
VERMILION COUNTY
STATION 2522+72.00
STRUCTURE NO. 092-0206