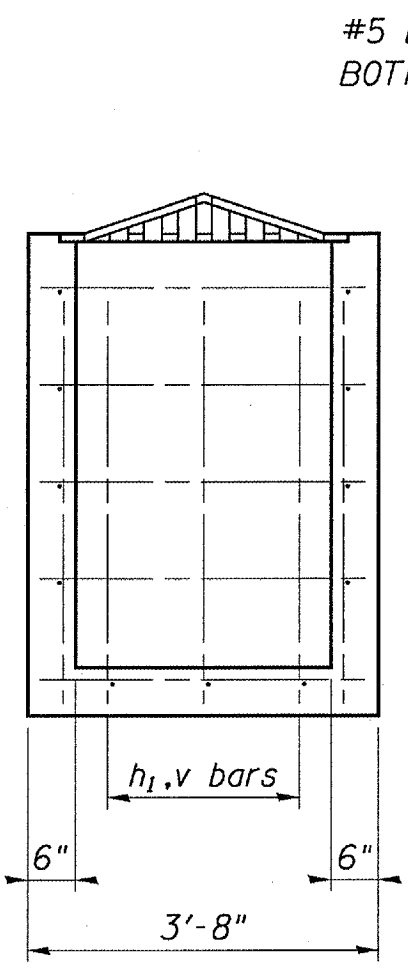


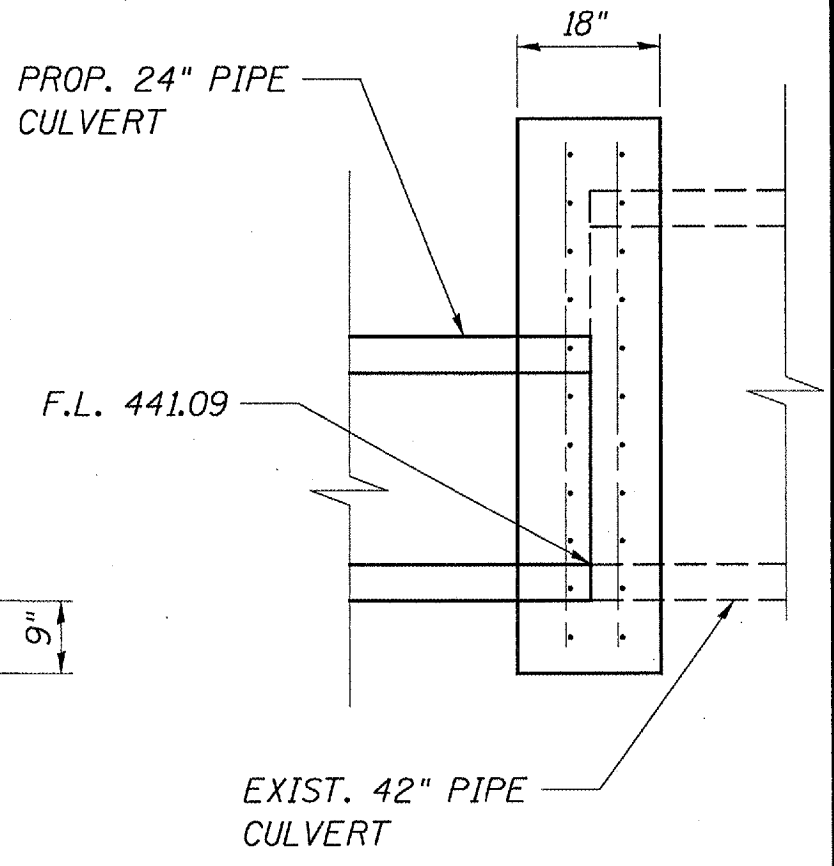
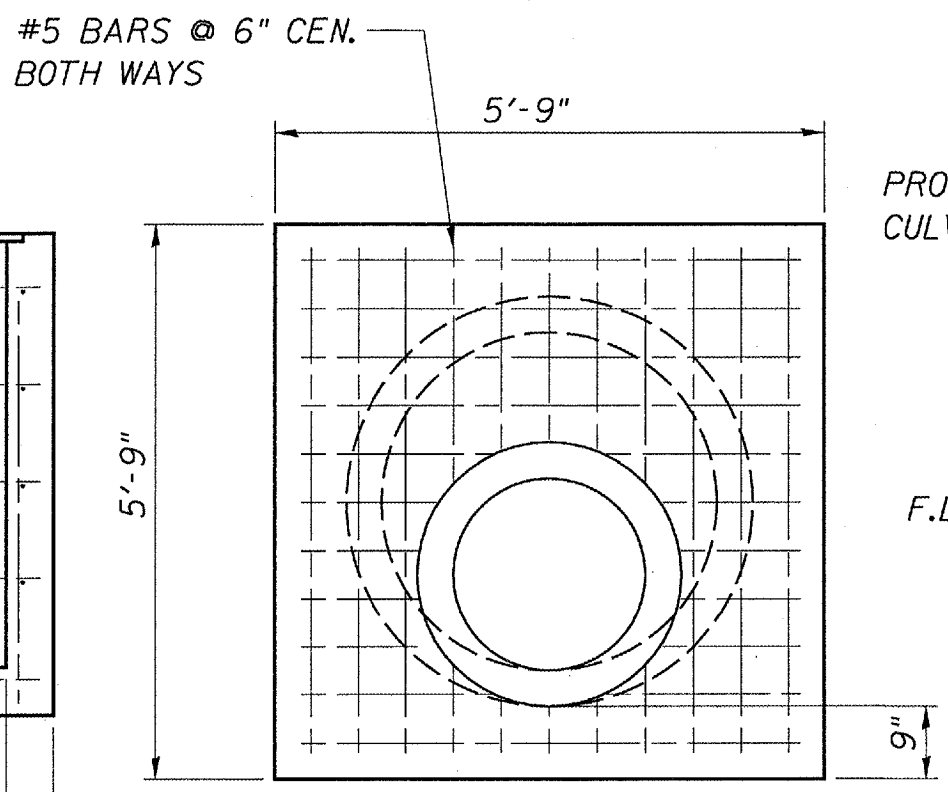
CATCH BASIN

BILL OF MATERIAL CATCH BASIN					
BAR	NO	SIZE	SPACING	LENGTH	SHAPE
h	5	#4	12"	3'-5"	—
h <sub>1</sub>	3	#4	12"	5'-9"	—
u	8	#4	12"	7'-0"	U
u <sub>1</sub>	8	#4	12"	4'-6"	U
v	16	#4	12"	4'-3"	—
CONCRETE				CU YD	1.70
REINF BARS				LB	161



REINFORCED CONCRETE COLLAR

BILL OF MATERIAL REINFORCED CONCRETE COLLAR				
NO	SIZE	SPACING	LENGTH	SHAPE
44	#4	6"	5'-3"	—
CONCRETE			CU YD	1.50
REINF BARS			LB	241



EXIST. 42" PIPE CULVERT

PROP. 24" PIPE CULVERT

F.L. 441.09

DETAILS  
FAP 612 (IL 100)  
SECTION 112I-2  
SCHUYLER COUNTY