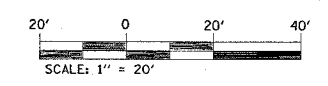
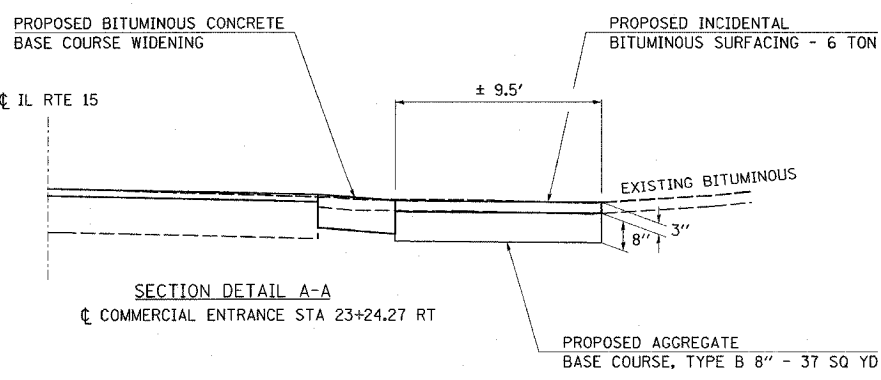
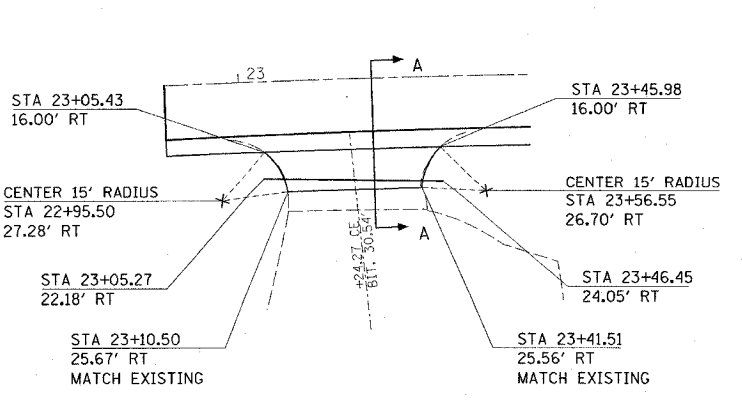
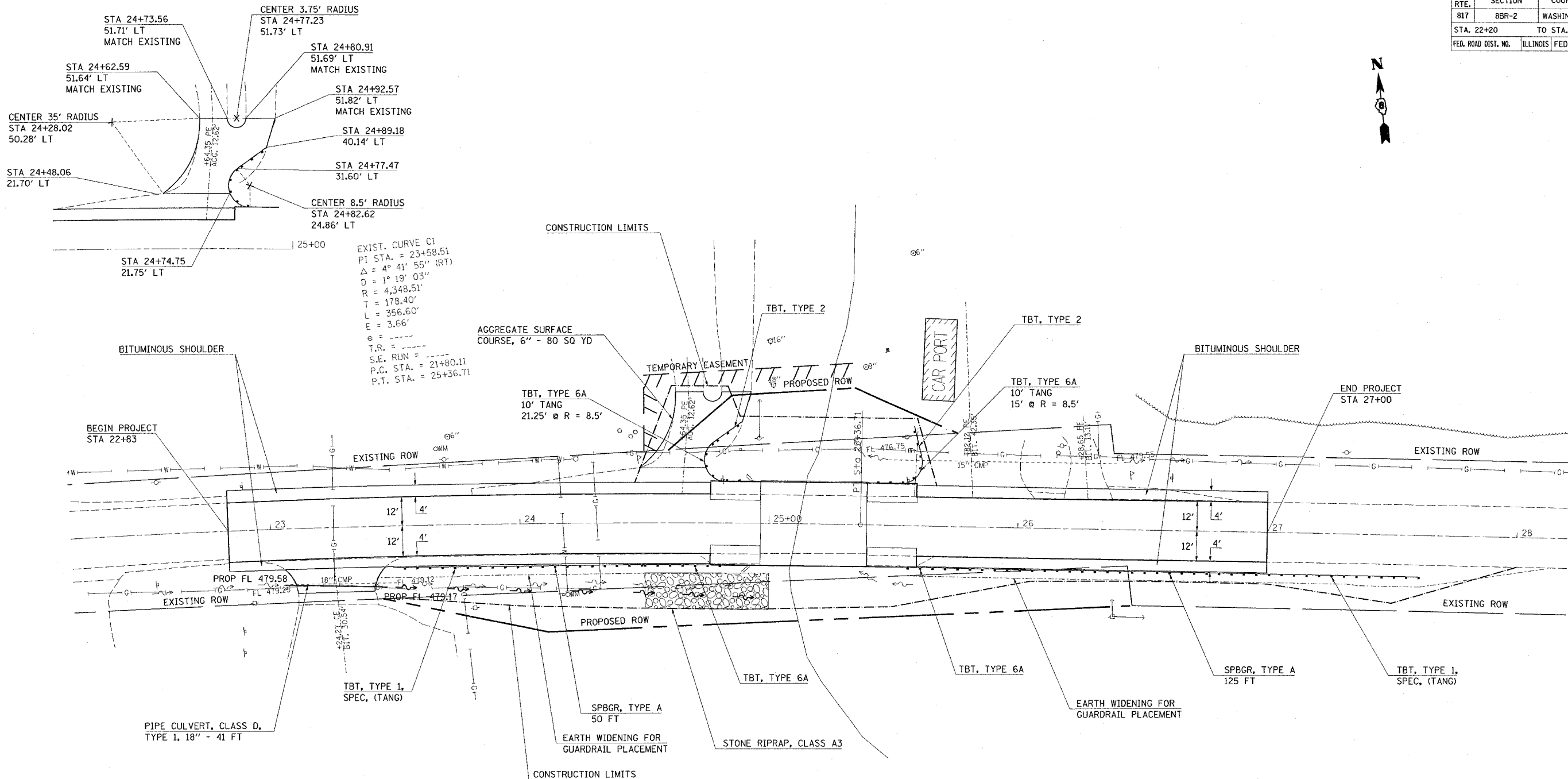


| F.A.P. RTE.         | SECTION | COUNTY        | TOTAL SHEETS     | SHEET NO. |
|---------------------|---------|---------------|------------------|-----------|
| 817                 | 8BR-2   | WASHINGTON    | 52               | 11        |
| STA. 22+20          |         | TO STA. 28+20 |                  |           |
| FED. ROAD DIST. NO. |         | ILLINOIS      | FED. AID PROJECT |           |



| REVISIONS |      |
|-----------|------|
| NAME      | DATE |
|           |      |
|           |      |
|           |      |
|           |      |
|           |      |
|           |      |
|           |      |

ILLINOIS DEPARTMENT OF TRANSPORTATION  
**PLAN VIEW**  
 FAP ROUTE 817  
 SECTION 8BR-2  
 WASHINGTON COUNTY  
 SN 095-0010

PLOT DATE = 7/18/2006  
 PLOT SCALE = 20.000000 / IN.  
 REFERENCE = #REF#