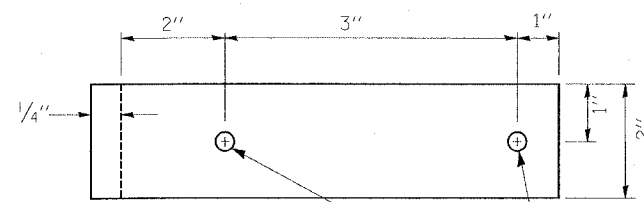
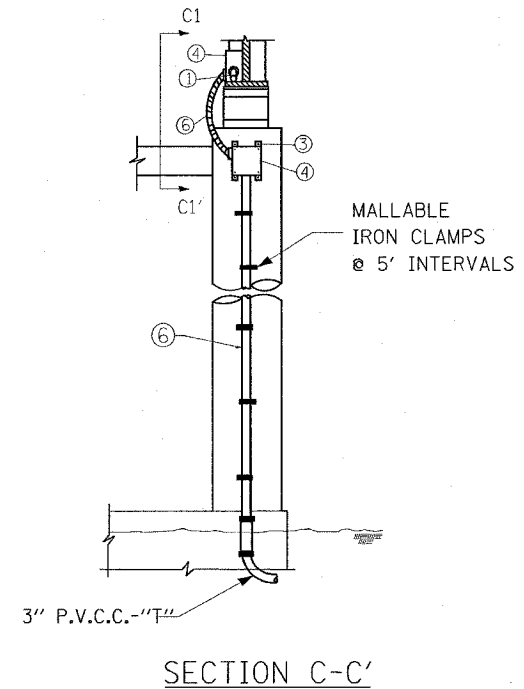
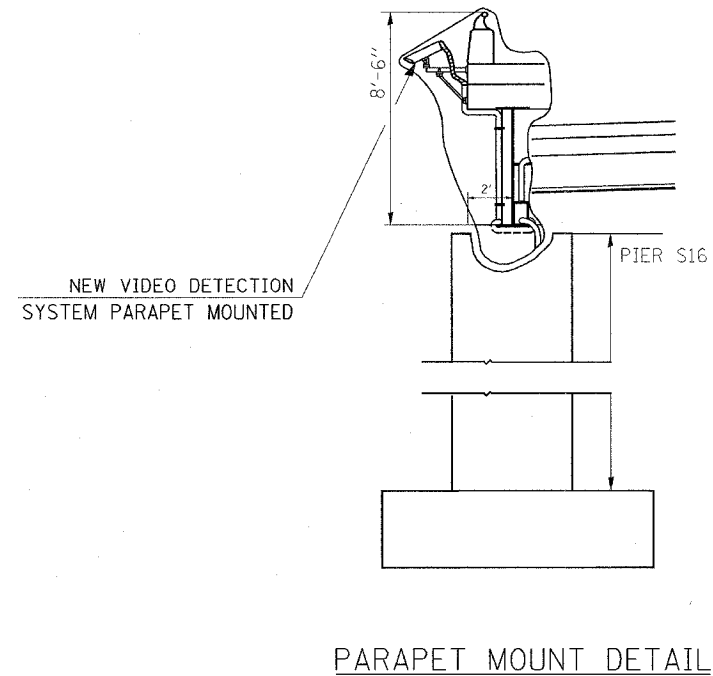
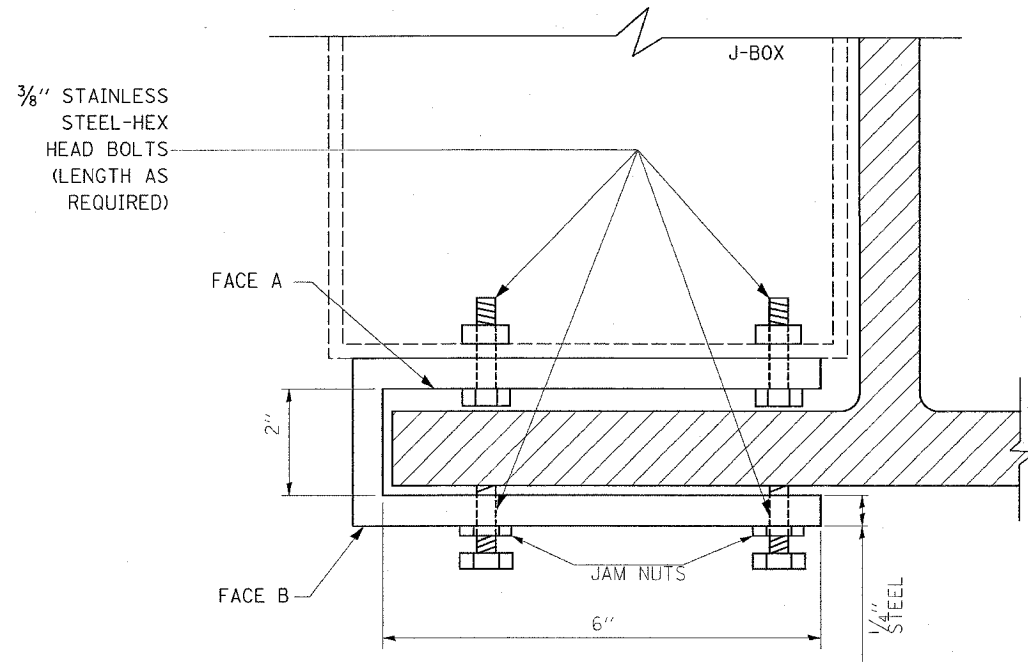
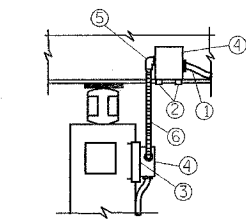


ROUTE	SECTION	COUNTY	TOTAL SHEETS	SHEET NO.
..	..	...	52	6
STA.		TO STA.		
FED. ROAD DIST. NO. ILLINOIS FED. AID PROJECT				
FAI 55/70			CONTRACT# 76973	
DIST 8 ITS 2006-2				
MADISON & ST. CLAIR & CITY OF ST. LOUIS, MO				



13/32 "Ø HOLES FOR FACE A.  
FACE B-HOLES SHALL BE  
TAPPED FOR 3/8 " SET  
SCREW DIA. AS REQUIRED

VIEW OF FACE A & B  
CHANNEL CLAMP  
DETAIL D



SECTION C1-C1'

- LEGEND
1. 3" PVCC-"ATS"
  2. CHANNEL CLAMPS-2 REQUIRED (SEE DETAIL)
  3. 1 1/2 " X 1 1/2 12 GAUGE GALV. STEEL CHANNEL
  4. 18" X 18" X 10" STAINLESS STEEL JUNCTION
  5. CONDULET
  6. LIQUID TIGHT FLEXIBLE CONDUIT

PLOT DATE = 5/23/2006  
FILE NAME = c:\projects\vid11686\electrical\stapin116695.dgn  
PLOT SCALE = 1/8"=1'-0"  
REFERENCE = #REF#

REVISIONS	
NAME	DATE

ILLINOIS DEPARTMENT OF TRANSPORTATION  
PARAPET MOUNT VIDEO  
DETECTION DETAILS  
FAI 55/70  
SECTION DIST 8 ITS 2006-2  
MADISON AND ST. CLAIR COUNTY  
AND ST. LOUIS, MO  
DATE 5/23/2006