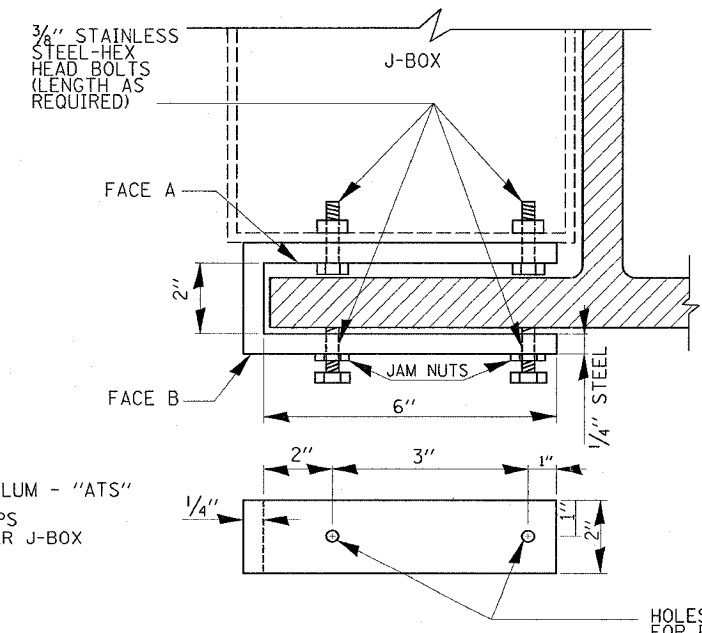
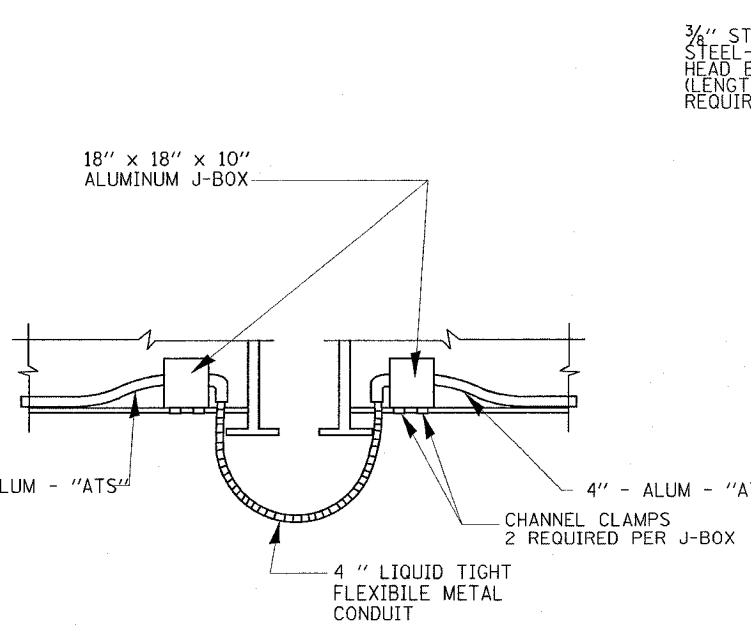
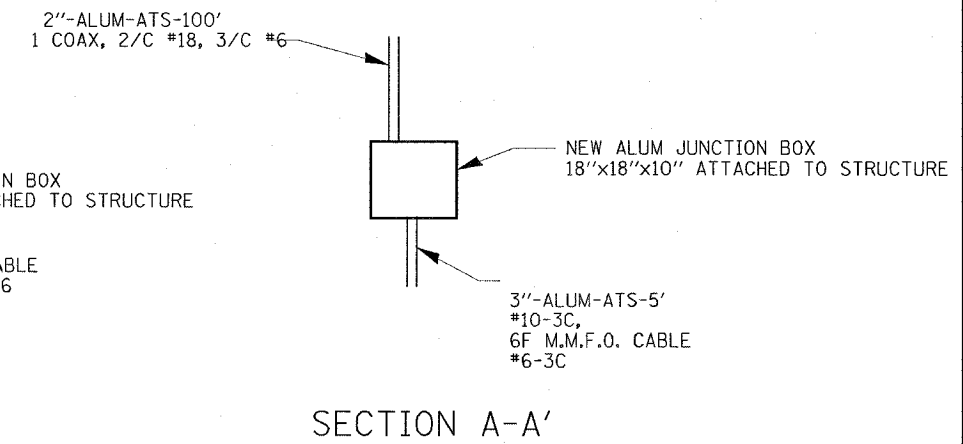
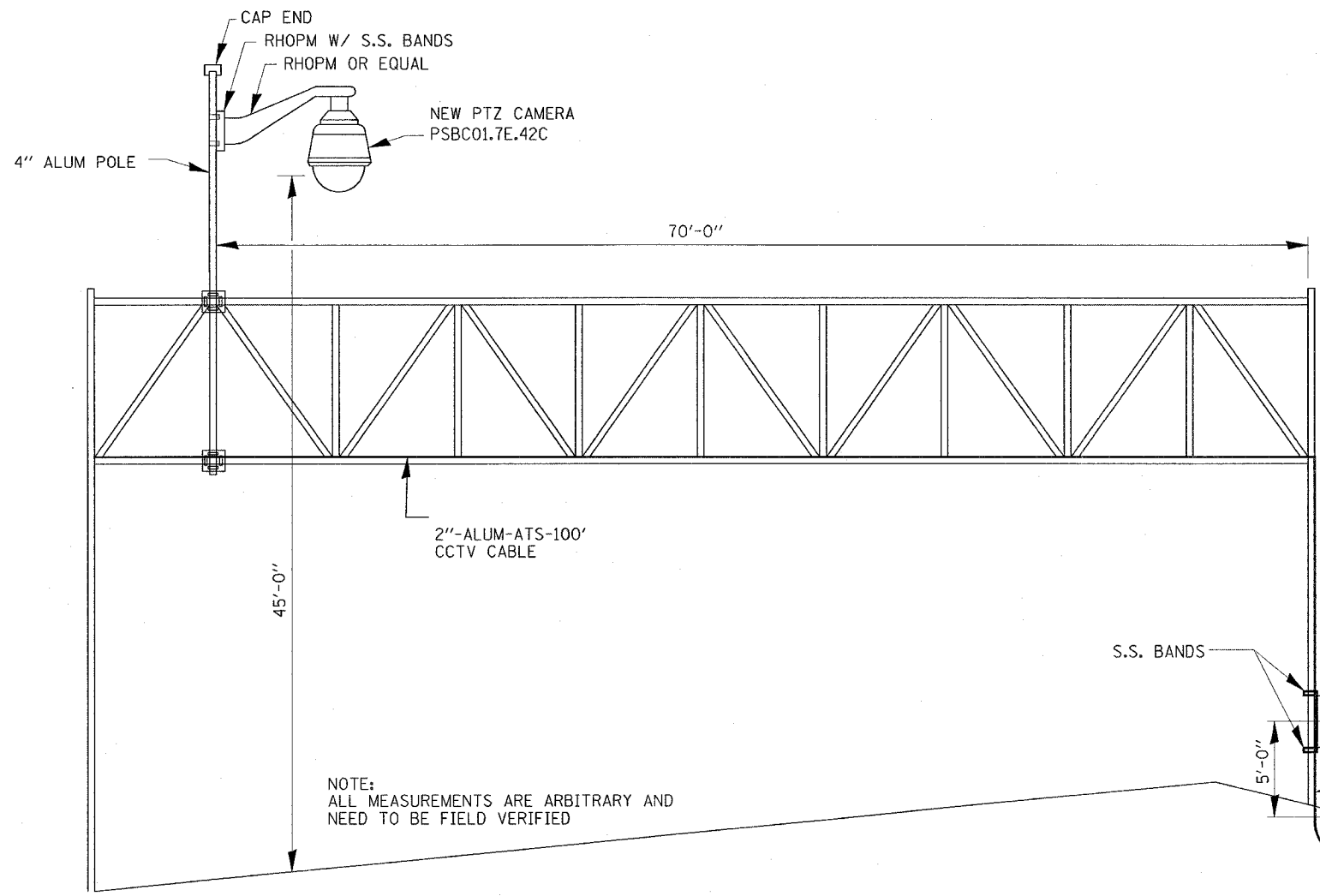


ROUTE	SECTION	COUNTY	TOTAL SHEETS	SHEET NO.
..	52	7
STA.	TO STA.			
FED. ROAD DIST. NO.	ILLINOIS	FED. AID PROJECT		
..	FAI 55/70	CONTRACT# 76973		
..	DIST 8 ITS 2006-2			
..	MADISON & ST. CLAIR & CITY OF ST. LOUIS, MO			



3"-PVCC-"T"-30'
#12-3C, #18-3 PAIR
4/C M.M.F.O. CABLE
2/C #18, 3/C #6

HOLES (1/4" Ø FOR FACE A FOR FACE B HOLES SHALL BE TAPPED FOR 3/8" SET SCREW DIA. AS REQUIRED)

REVISIONS	
NAME	DATE

ILLINOIS DEPARTMENT OF TRANSPORTATION

TRUSS MOUNT CCTV DETAILS

FAI 55/70
SECTION DIST 8 ITS 2006-2
MADISON AND ST. CLAIR COUNTY
AND ST. LOUIS, MO

DATE 5/23/2006

PLOT DATE = 5/23/2006
 PLOT SCALE = 1/8" = 1'-0"
 REFERENCE = REF#