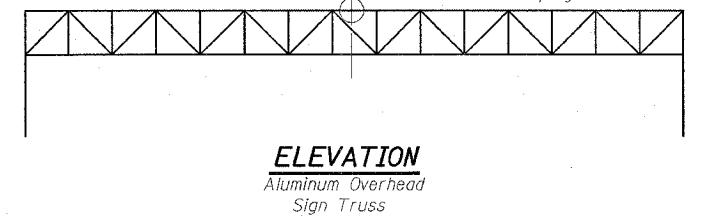
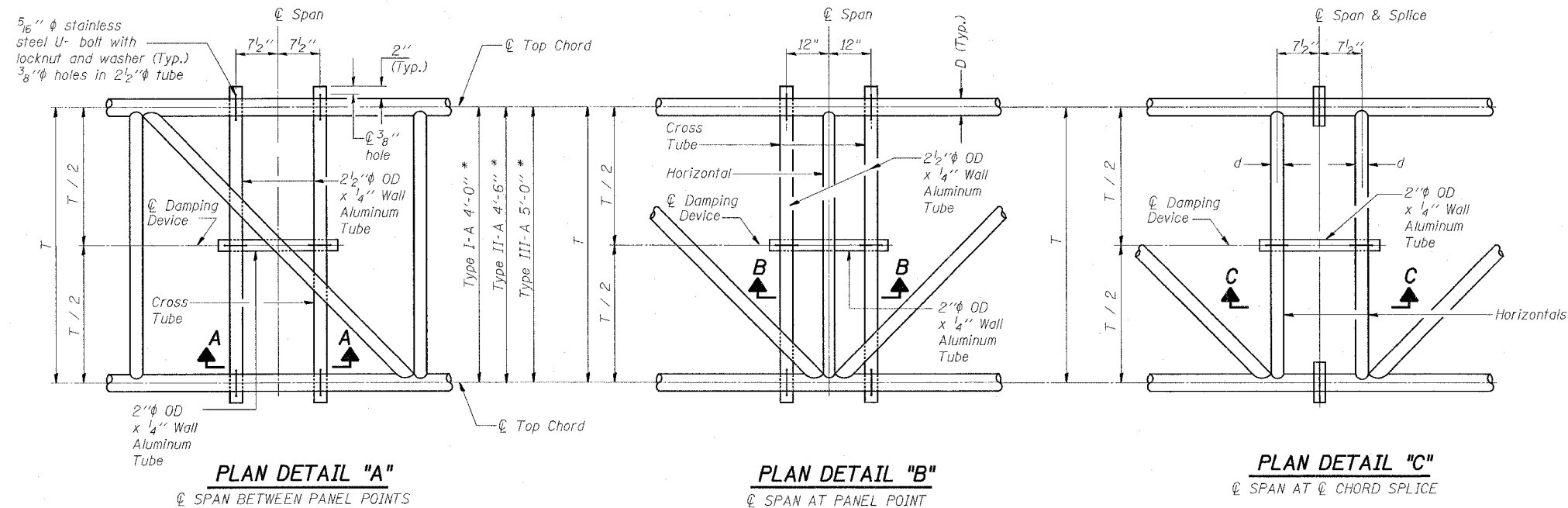


STATE OF ILLINOIS
DEPARTMENT OF TRANSPORTATION

* Center of horizontal to center of splice dimension may vary. Verify before drilling holes in mounting tube.

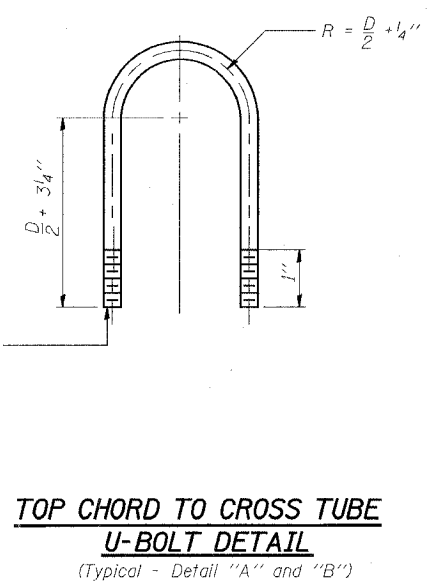
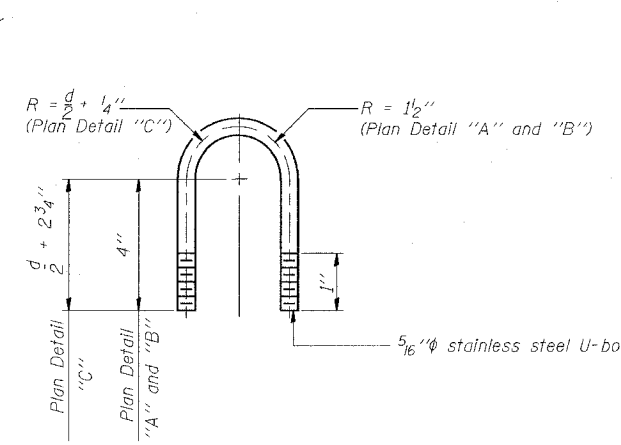
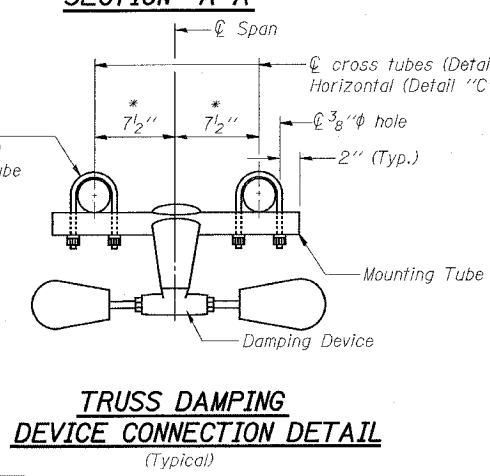
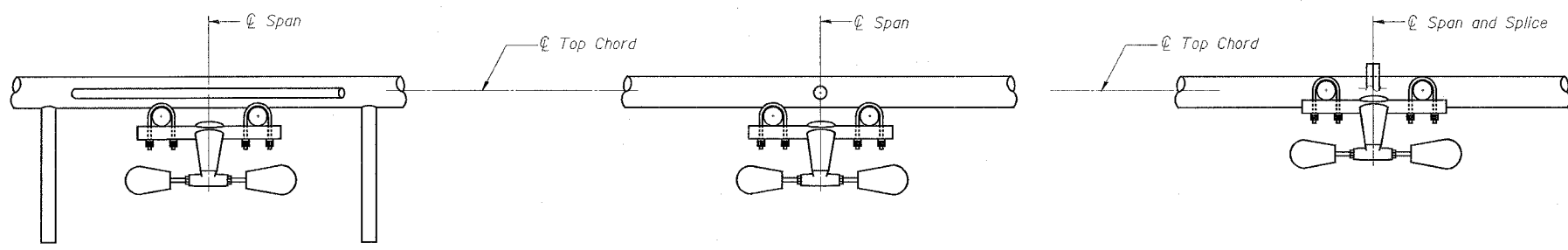
ROUTE	SECTION	COUNTY	TOTAL SHEETS	SHEET NO.
•	••	•••	52	14
STA.	TO STA.			
FED. ROAD DIST. NO.	ILLINOIS	FED. AID PROJECT		
•	FAI 55/70	CONTRACT# 76973		
••	DIST 8 ITS 2006-2			
•••	MADISON & ST. CLAIR & CITY OF ST. LOUIS, MO			



NOTES

Damper: One damper per truss. (31 lbs. Stockbridge-Type. Alum.)

Materials: Aluminum tubes shall be ASTM B221 alloy 6061 temper T6. Cost included in "Overhead Sign Structure..."



DESIGNED	19
CHECKED	EXAMINED
DRAWN	J.K.M.
CHECKED	PASSED

ENGINEER OF STRUCTURAL SERVICES
ENGINEER OF BRIDGES AND STRUCTURES

OS-A-D 7/1/2001

REVISIONS	
NAME	DATE

ILLINOIS DEPARTMENT OF TRANSPORTATION
OVERHEAD SIGN STRUCTURE DAMPING DEVICE
FAI 55/70
SECTION DIST 8 ITS 2006-2
MADISON AND ST. CLAIR COUNTY AND ST. LOUIS, MO
DATE 5/23/2006

PLOT DATE = 5/23/2006
 PLOT SCALE = 1/8" = 1'-0"
 REFERENCE = #REF#