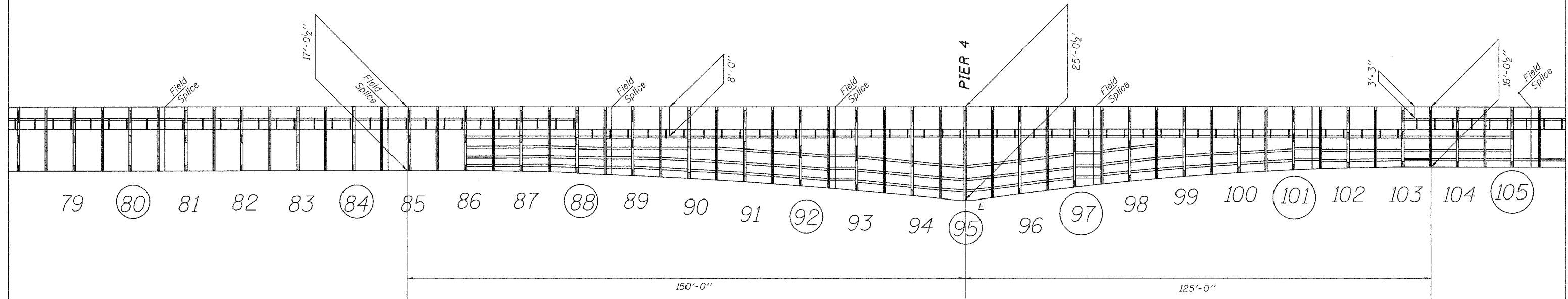
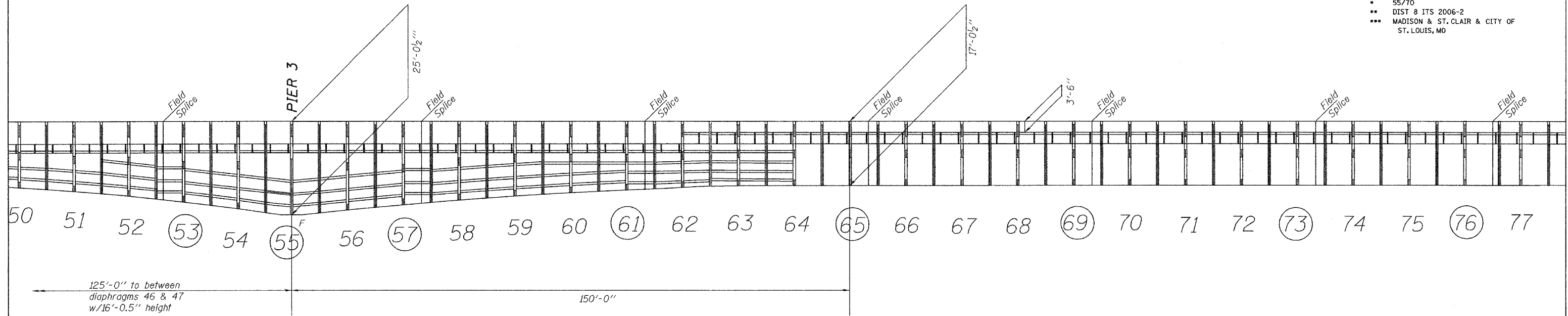


F.A.I. RTE.	SECTION	COUNTY	TOTAL SHEETS	SHEET NO.
*	**	***		18
STA.		TO STA.		
FED. ROAD DIST. NO.	ILLINOIS	FED. AID PROJECT		

55/70
 ** DIST 8 ITS 2006-2
 *** MADISON & ST. CLAIR & CITY OF ST. LOUIS, MO



BRIDGE LENGTHS	
PIER 1 TO PIER 2	300'
PIER 2 TO PIER 3	500'
PIER 3 TO PIER 4	600'
PIER 4 TO PIER 5	500'
PIER 5 TO PIER 6	265'

DIAPHRAGM # TO DIAPHRAGM #	HEIGHT TO HEIGHT
1 TO 46	16'-0 1/2" TO 16'-0 1/2"
46 TO 55	16'-0 1/2" TO 25'-0 1/2"
55 TO 65	25'-0 1/2" TO 17'-0 1/2"
65 TO 85	17'-0 1/2" TO 17'-0 1/2"
85 TO 95	17'-0 1/2" TO 25'-0 1/2"
95 TO 104	25'-0 1/2" TO 16'-0 1/2"
104 TO 147	16'-0 1/2" TO 16'-0 1/2"

- Longitudinal web stiffeners are ST7WF15, except at field splices.
- Field splice longitudinal web stiffeners are 26 x 3 1/2" x 21.1.
- 2 1/2" - PVCC conduit w/72 Cond S.M. F.O. cable attached to longitudinal web stiffeners in box girder #4 every 5'-0". Conduits should be placed through the top opening on the diaphragms.

REVISIONS	
NAME	DATE

ILLINOIS DEPARTMENT OF TRANSPORTATION
POPLAR ST. BRIDGE (PSB)
CONDUIT PLAN
SHEET 2 OF 4
 FAI 255
 SECTION DIST 8 ITS 2007-1, 2A
 MADISON COUNTY