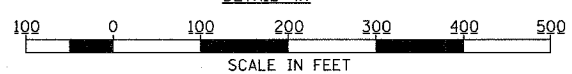
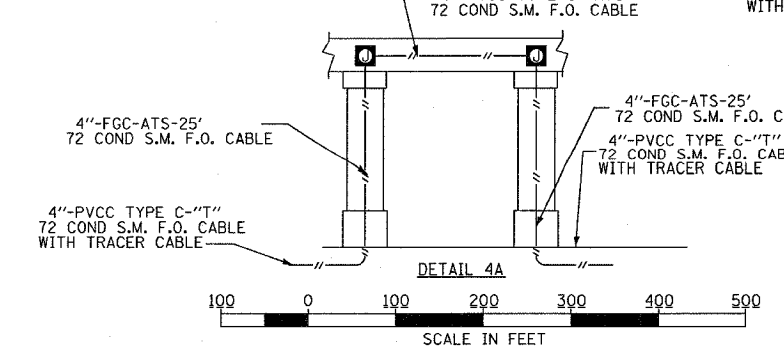
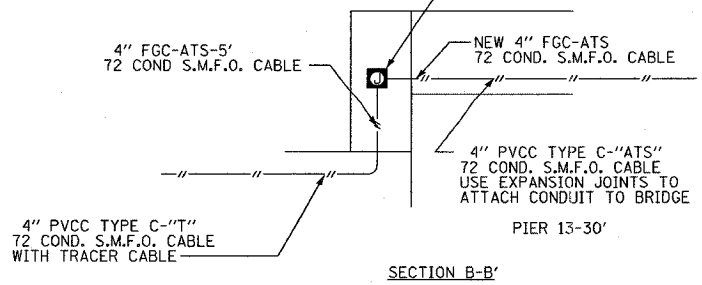
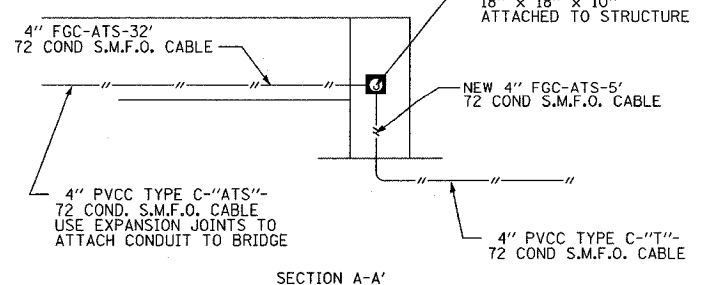
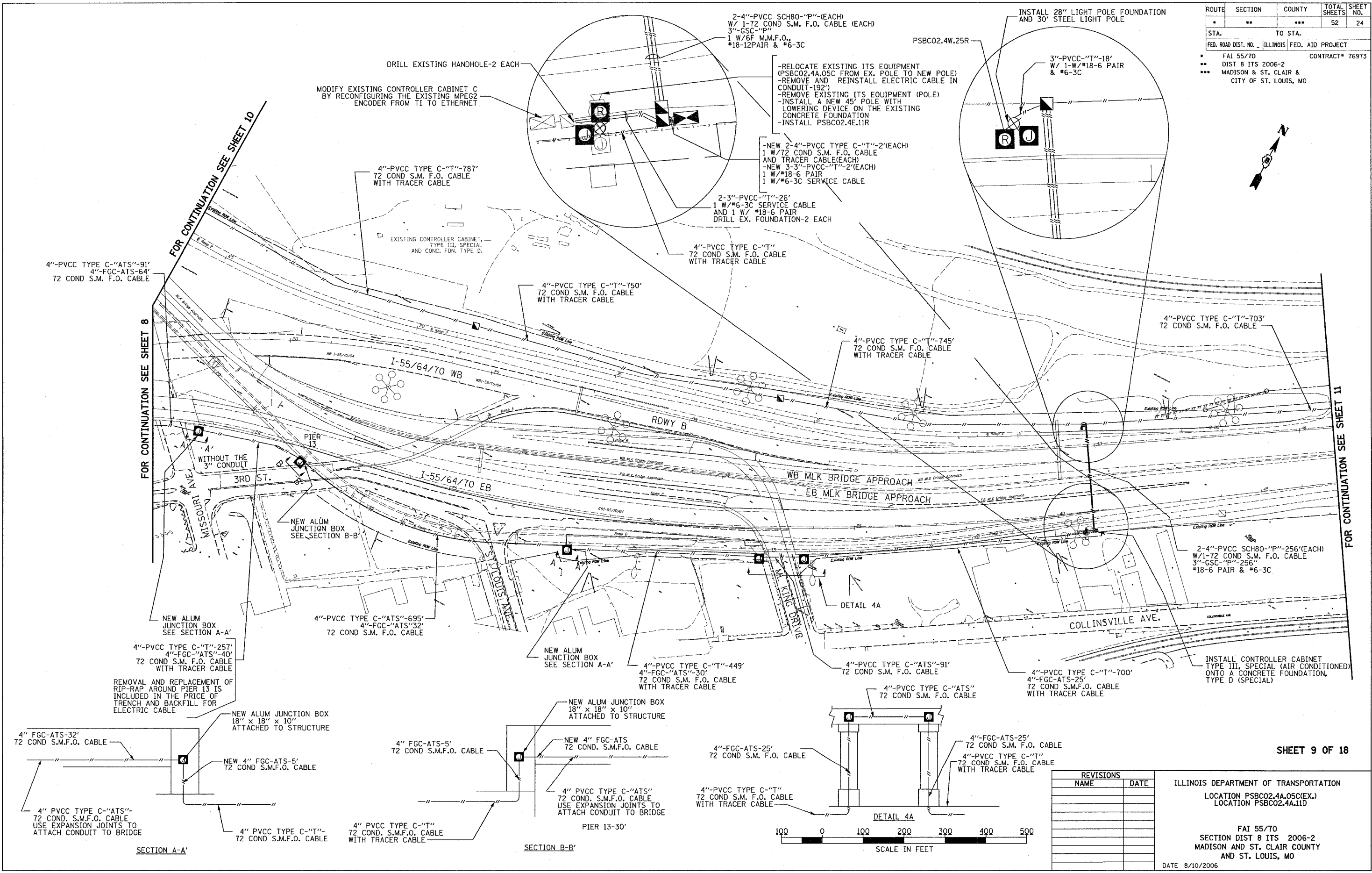


ROUTE	SECTION	COUNTY	TOTAL SHEETS	SHEET NO.
52	24		52	24
STA.	TO STA.		FED. ROAD DIST. NO. - ILLINOIS FED. AID PROJECT	
			FAI 55/70 CONTRACT# 76973	
			DIST 8 ITS 2006-2	
			MADISON & ST. CLAIR & CITY OF ST. LOUIS, MO	



REVISIONS	
NAME	DATE

ILLINOIS DEPARTMENT OF TRANSPORTATION
 LOCATION PSBC02.4A.05C(EX.)
 LOCATION PSBC02.4A.11D

FAI 55/70
 SECTION DIST 8 ITS 2006-2
 MADISON AND ST. CLAIR COUNTY
 AND ST. LOUIS, MO

DATE 8/10/2006

PLOT DATE = 8/10/2006
 FILE NAME = c:\projects\ed11695\electrical\supp\11695a.dgn
 PLOT SCALE = 1/8" = 1'-0"
 REFERENCE = SHEET#