

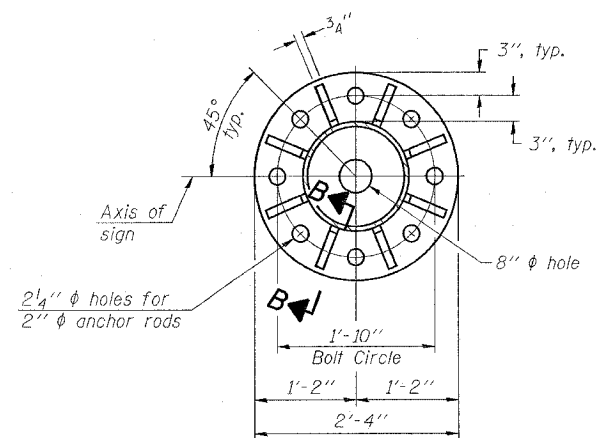
STATE OF ILLINOIS
DEPARTMENT OF TRANSPORTATION

*** DIST 8 ITS 2006-2
MADISON & ST. CLAIR &
CITY OF ST. LOUIS, MO

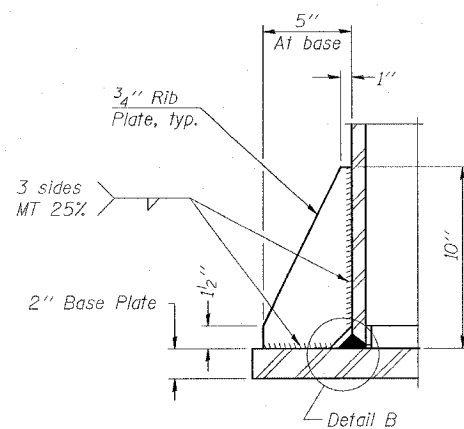
ROUTE NO.	SECTION	COUNTY	SHEET NO.	SHEET TOTAL
FAI 55/70	**	***	52	50
FED. ROAD DIST. NO. 7		ILLINOIS	FED. AID PROJECT-	

SHEET NO. 5
6 SHEETS

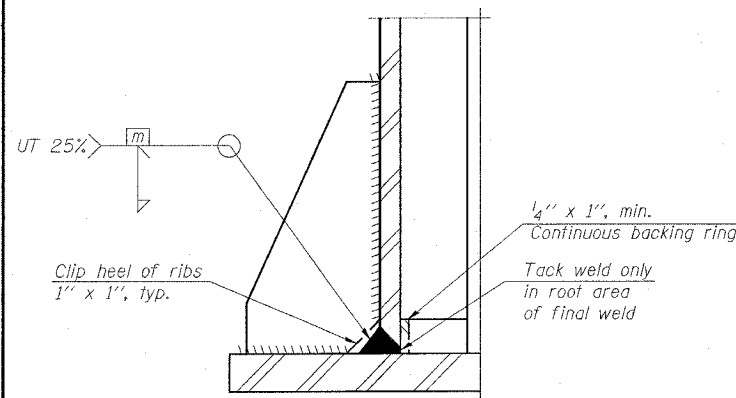
Contract #76973



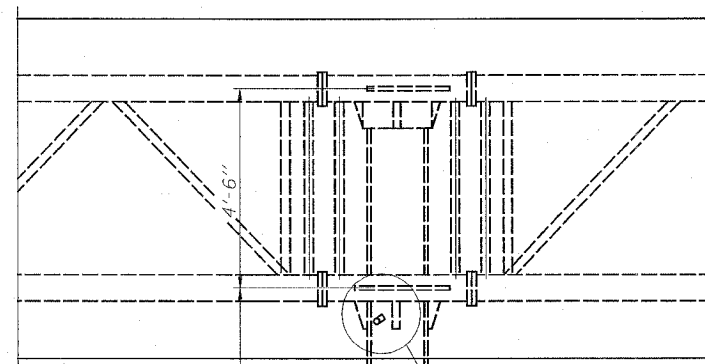
SECTION A-A



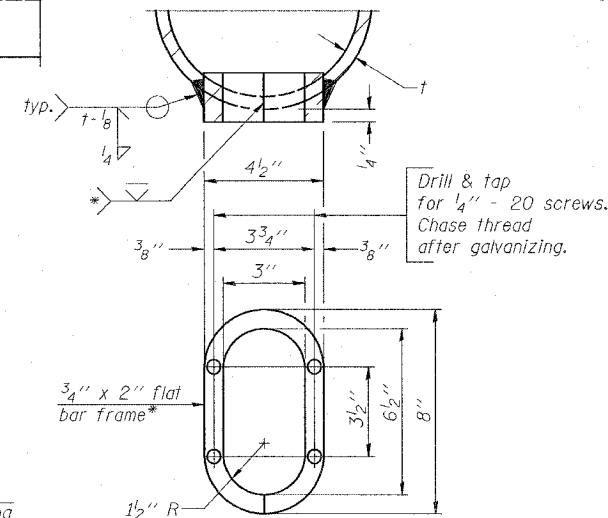
SECTION B-B



DETAIL B
(Typical rib)



FRONT ELEVATION

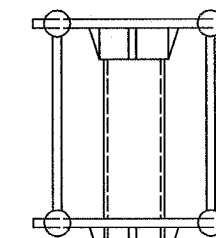


DETAIL A

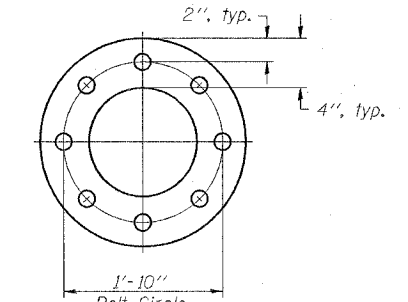
* Bent bars may be butt welded top and bottom or bottom only. In lieu of fabricated handhole frame as shown, may cut from 2" plate (rolling direction vertical). All cut faces to be ground to ANSI Roughness of 500 min or less.

** Butt welded joint in post is only allowed for post heights (H) over 20 ft. in length. If used, weld procedure must be preapproved by Engineer and joint shall receive 100% RT or UT (tension criteria) at Contractor's expense.

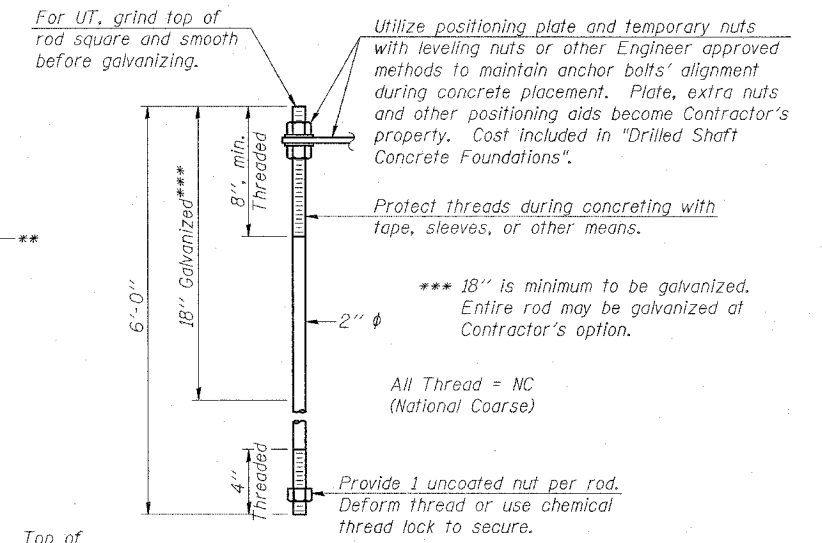
Structure Number	Station	H



SIDE ELEVATION



SUGGESTED POSITIONING PLATE



ANCHOR ROD DETAIL

Anchor rods shall conform to AASHTO M314 Grade 55 and meet Charpy V-Notch (CVN) energy of 15 lb.-ft. at 10° F. before galvanizing. Galvanize the upper 18" (minimum***), and associated M291, Grade A, C or DH heavy hex nuts and hardened washers per AASHTO M232. No welding shall be permitted on rods. Provide an unfinished nut at bottom, a hexagon locknut and washer above base plate and a leveling nut and washer below base plate. Nuts shall each be tightened with 200 lb.-ft. minimum torque against base plate. Before or after threading, but before galvanizing, each anchor rod shall be ultrasonically tested (UT) by a Level II or III inspector, qualified in accord with ANSI guidelines, using a straight beam, 1/2" φ 3.5 mhz. transducer, to insure no rejectable flaws exist in the upper 18" (tension criteria). Cost of testing included in Drilled Shaft Concrete Foundations.

**BUTTERFLY SIGN STRUCTURES
TYPE I-F-A SUPPORT POST FOR FRONT
ACCESS VMS - ALUMINUM TRUSS & STEEL POST**

FAI 55/70
SECTION DIST 8 ITS 2006-2
MADISON AND ST. CLAIR COUNTY
AND ST. LOUIS, MO

NUMBER	REVISION	DATE

DESIGNED	_____	200
CHECKED	_____	EXAMINED
DRAWN	_____	PASSED
CHECKED	_____	ENGINEER OF BRIDGES AND STRUCTURES

1-7-05

OSF-A-4-VMS

PLOT DATE = 5/23/2006
 FILE NAME = c:\proj\osf\ad\BMS\electrical\vis\pln\adgn
 PLOT SCALE = 1/8"=1'-0"
 REFERENCE = #REF#