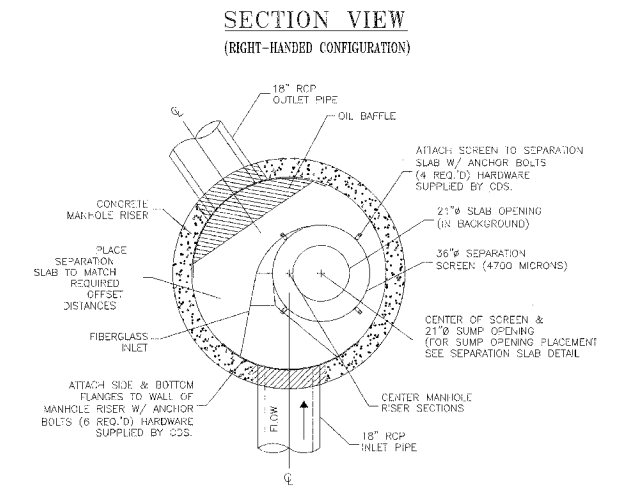
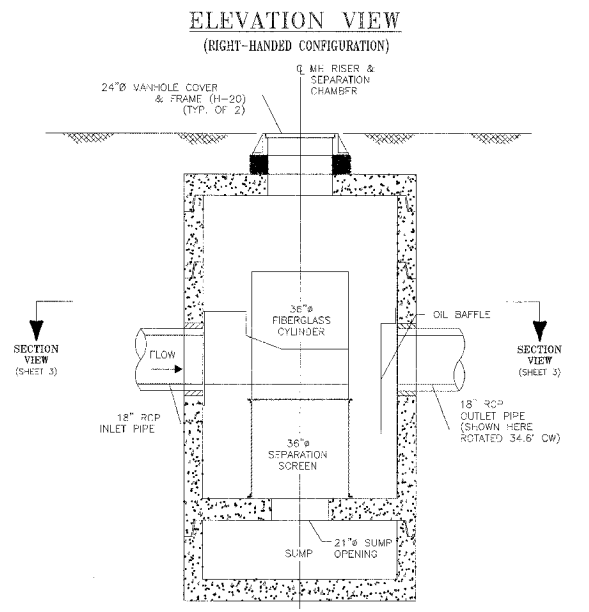
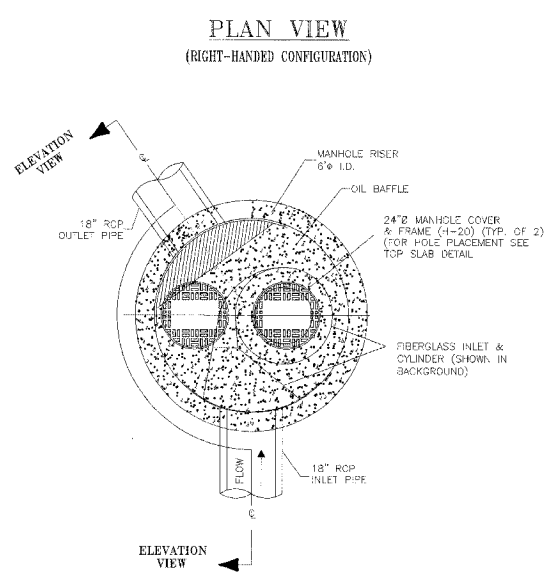
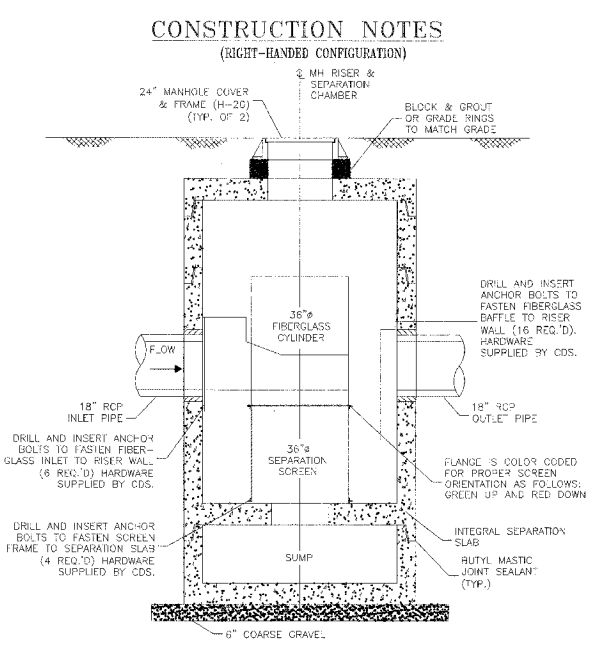
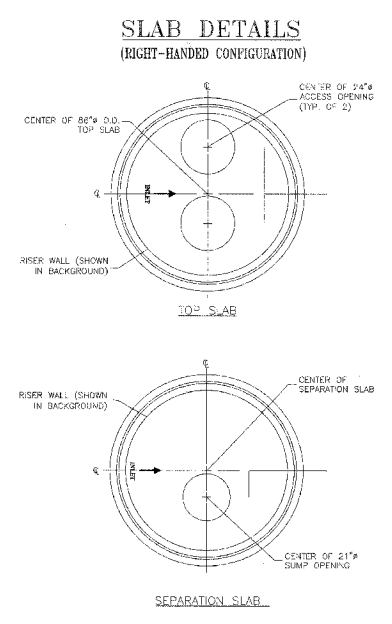


FAU	SECTION	COUNTY	TOTAL SHEETS	SHEET NO.
2647	99-00142-07-WR	LAKE	256	78
CONTRACT NO: 83815				
FED. ROAD DIST. NO. 1 ILLINOIS FED. AID PROJECT				



- NOTES:
1. ALL CONCRETE COMPONENTS SHALL BE CONSTRUCTED PER ASTM C-478.
 2. ALL CONCRETE SHALL HAVE A MINIMUM COMPRESSIVE STRENGTH OF 4,000 PSI.



REVISIONS	
NAME	DATE

ILLINOIS DEPARTMENT OF TRANSPORTATION
**FAU 2647 - BUTTERFIELD ROAD
 UTILITY AND DRAINAGE DETAILS
 STORMWATER TREATMENT STRUCTURE
 STA. 120+65 46' RT**

SCALE: NONE
 DATE: 12/22/2005

DRAWN BY: ELA
 CHECKED BY: MJP

150
 12/22/2005
 N:\LIBERTYVILLE\99-389\Civil\99389.TBL
 N:\LIBERTYVILLE\99-389\Drawn\dra99389_2.dwg