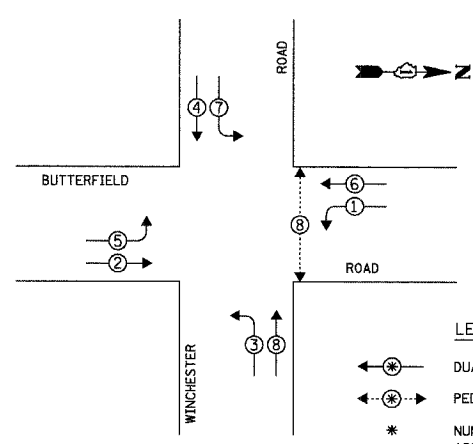
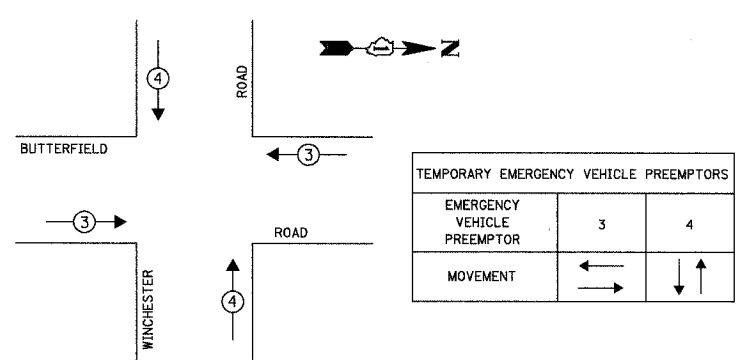


TEMPORARY CONTROLLER SEQUENCE



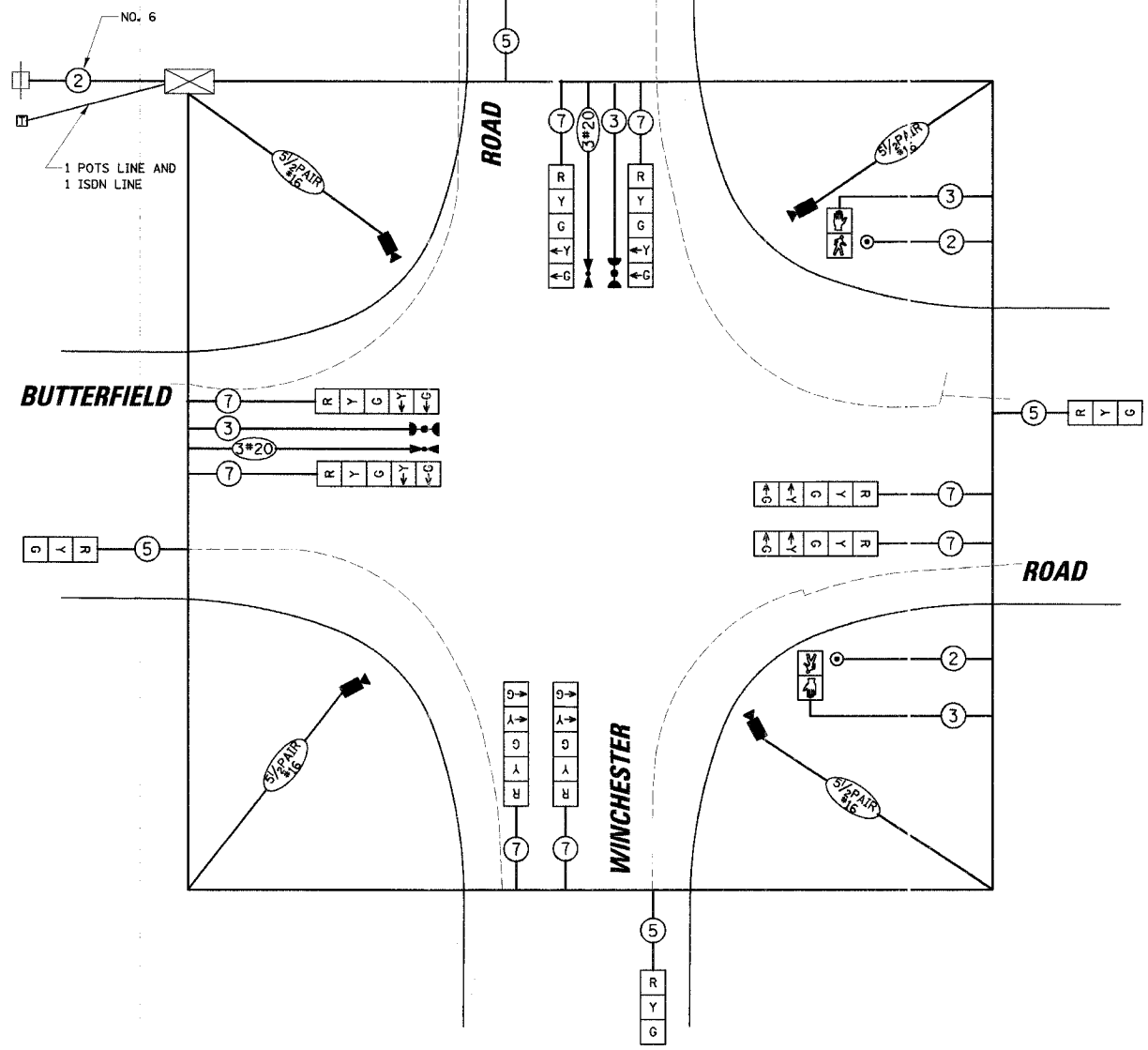
TEMPORARY PHASE DESIGNATION DIAGRAM

TEMPORARY EMERGENCY VEHICLE PREEMPTION SEQUENCE

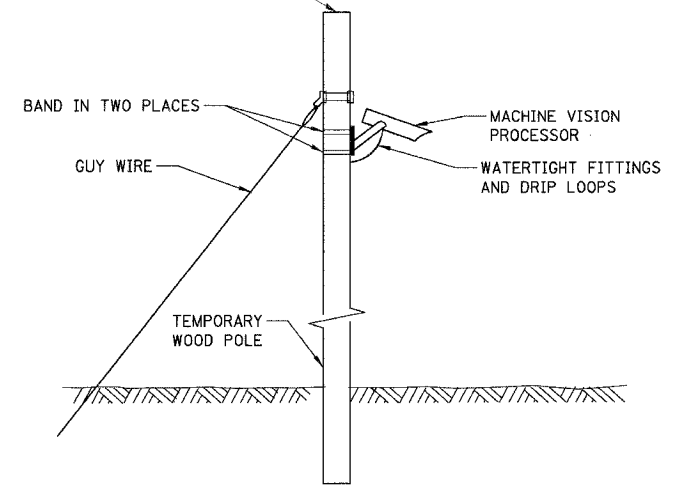


TEMPORARY CABLE DIAGRAM LEGEND

- R TEMPORARY TRAFFIC SIGNAL SECTION OR PEDESTRIAN SIGNAL SECTION 12" (300mm)
- X TEMPORARY CONTROLLER CABINET
- + TEMPORARY SERVICE INSTALLATION
- 5 INDICATES NUMBER OF CONDUCTORS IN CABLE. ALL CONDUCTORS TO BE NUMBER 14 AWG WIRE UNLESS OTHERWISE NOTED.
- EMERGENCY VEHICLE LIGHT DETECTOR
- CONFIRMATION BEACON
- VEHICLE DETECTOR, INDUCTION LOOP
- PEDESTRIAN PUSHBUTTON DETECTOR
- 12" (300mm) PEDESTRIAN SIGNAL SECTION
- MACHINE VISION PROCESSOR
- DOME CAMERA



TEMPORARY WOOD POLE CLASS 4 OR BETTER (45 MIN.)



TEMPORARY AUTOSCOPE MOUNTING DETAIL (NOT TO SCALE)

TYPE	NO. OF LAMPS	WATTAGE	% OPERATION	TOTAL WATTAGE
SIGNAL (RED)	12	135	0.50	810.00
(YELLOW)	12	135	0.25	405.00
(GREEN)	12	135	0.25	405.00
ARROW	16	135	0.10	216.00
PED. SIGNAL	2	90	1.00	180.00
CONTROLLER	1	100	1.00	100.00
ILLUM. SIGN	-	252	0.05	-
FLASHER	-	-	0.50	-

ENERGY COSTS TO: TOTAL = 2116.00

LAKE COUNTY DIVISION OF TRANSPORTATION
 600 WEST WINCHESTER ROAD
 LIBERTYVILLE, ILLINOIS 60048-1381

ENERGY SUPPLY: CONTACT: MIKE TYSON
 PHONE: (847) 816-5500
 COMPANY: COMED

FOUNDATION (DEPTH)	FT. (m)	CABLE SLACK	FT. (m)	VERTICAL	FT. (m)
TYPE A - POST	4 (1.2)	HANDHOLE	6.5 (2.0)	ALL FOUNDATIONS	3.5 (1.0)
D - CONTROLLER	4 (1.2)	DOUBLE HANDHOLE	13 (4.0)	MAST ARM (L) POLE	20' ± L-2=
E - M. ARM POLE	2 (1.0)	SIGNAL POST	2 (1.0)	(6m ± L-0.6m)	
24" (600mm)	10 (3.0)	CONTROLLER CAB.	1 (0.5)	BRACKET MOUNTED	13 (4.0)
30" (750mm)	15 (4.6)	FIBER OPTIC	13 (4.0)	PED. PUSHBUTTON	4 (1.2)
36" (900mm)	15 (4.6)	ELECTRIC SERVICE	1 (0.5)	ELECTRIC SERVICE	13.5 (4.1)
		GROUND CABLE	1 (0.5)	SERVICE TO GROUND	13.5 (4.1)
				POST MOUNTED	6 (1.8)

RESTORATION OF WORK AREA: RESTORATION OF THE TRAFFIC SIGNAL WORK AREA SHALL BE INCIDENTAL TO THE RELATED PAY ITEM SUCH AS FOUNDATION, CONDUIT HANDHOLE, TRENCH AND BACKFILL, ETC., AND NO EXTRA COMPENSATION SHALL BE ALLOWED. ALL ROADWAY SURFACES SUCH AS SHOULDER, MEDIANS, SIDEWALKS, PAVEMENT, ETC. SHALL BE REPLACED IN KIND. ALL DAMAGE TO MOWED LAWNS SHALL BE REPLACED WITH AN APPROVED SOD, AND ALL DAMAGE TO UNMOWED FIELDS SHALL BE SEEDING IN ACCORDANCE WITH STANDARD SPECIFICATIONS 252 AND 250 RESPECTIVELY.

NAME	DATE

LAKE COUNTY DIVISION OF TRANSPORTATION

TEMPORARY CABLE PLAN AND TEMPORARY PHASE DESIGNATION DIAGRAM

BUTTERFIELD ROAD AND WINCHESTER ROAD
 VILLAGE OF LIBERTYVILLE

SCALE: 1" = 20'
 DATE: 12/2/2005

DRAWN BY: FPB/FCP
 DESIGNED BY: ABR
 CHECKED BY: GMZ

12/2/2005 N:\LIBERTYVILLE\99-389\T-Office\TCB\winchester.dgn