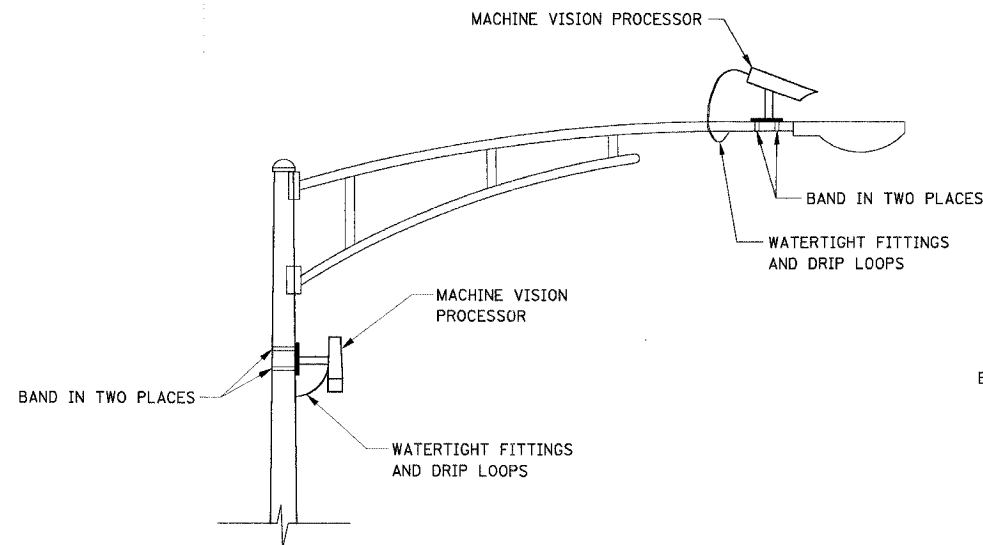
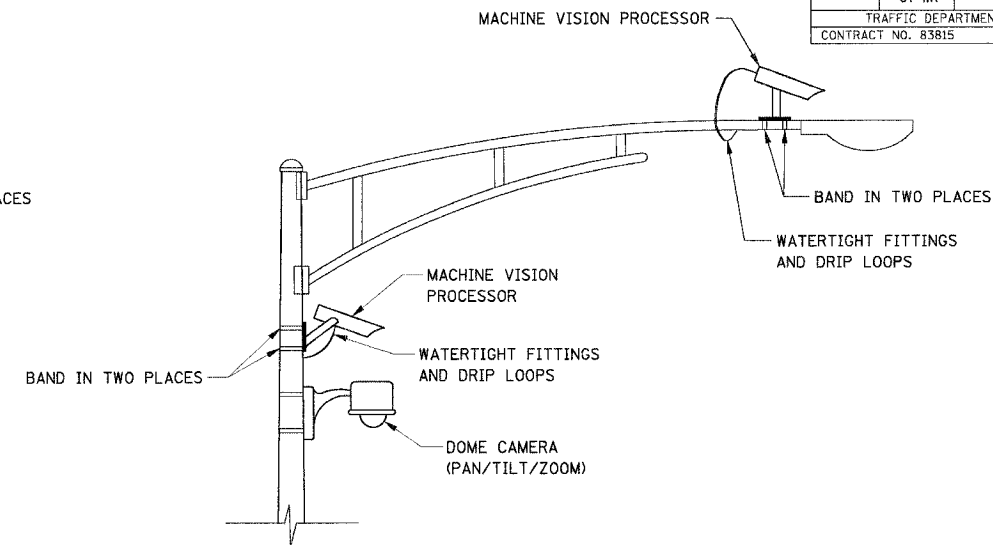


**MACHINE VISION PROCESSOR  
MOUNTING DETAIL**  
(NOT TO SCALE)

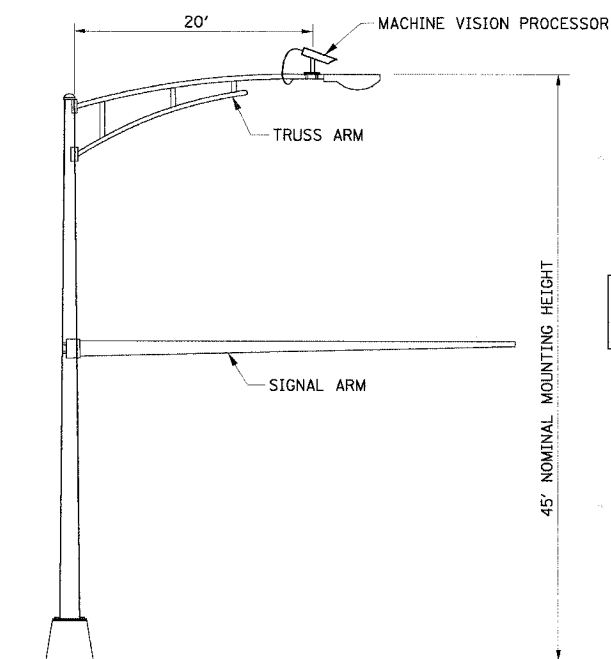


**DUAL MACHINE VISION PROCESSORS  
MOUNTING DETAIL**  
(NOT TO SCALE)

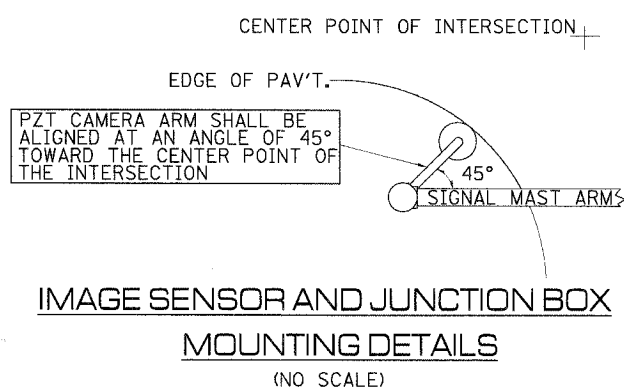


**DUAL MACHINE VISION PROCESSORS AND  
DOME (PTZ) CAMERA MOUNTING DETAIL**  
(NOT TO SCALE)

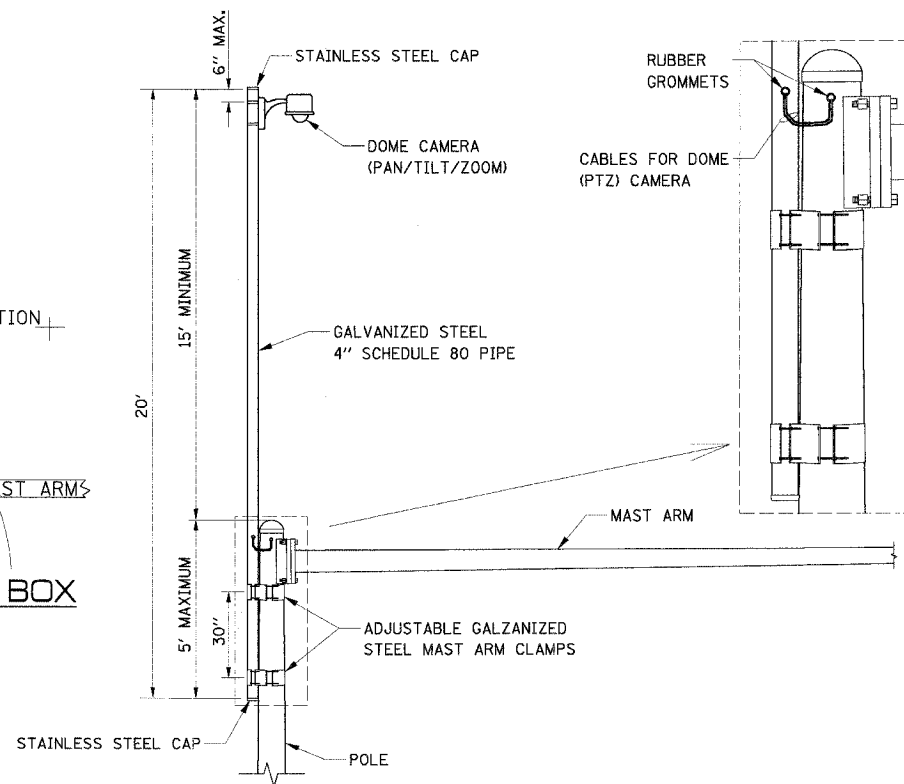
- NOTES FOR SINGLE, DUAL AND MULTIPLE MVP MOUNTING:
- MOUNT LUMINAIRE MOUNTING BRACKET AS HIGH AS POSSIBLE.
  - AIM BRACKET TOWARD DIRECTION OF TRAFFIC TO BE DETECTED.
  - MOUNT MACHINE VISION PROCESSOR AIMING DOWN AT 30 DEGREE ANGLE.



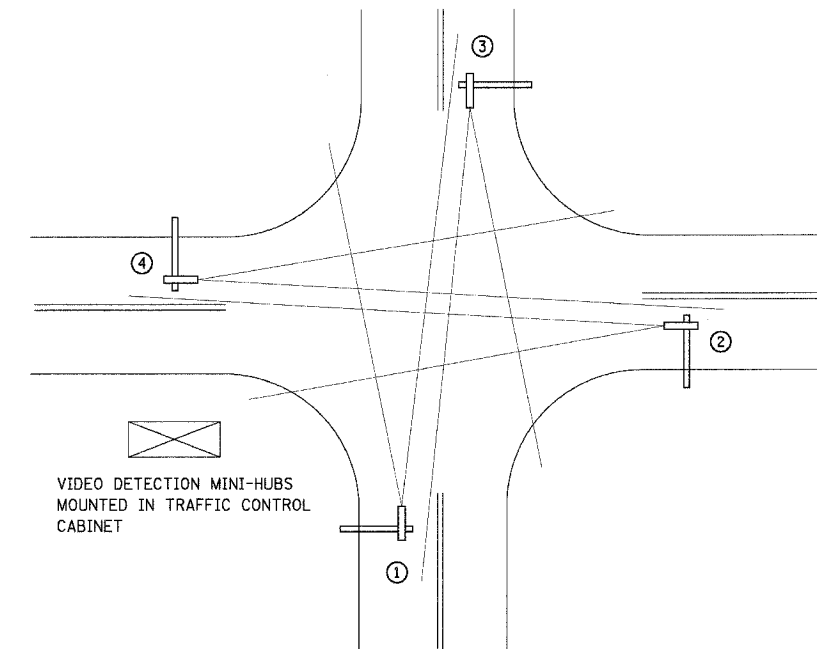
**COMBINATION MAST ARM ASSEMBLY  
AND POLE DIMENSIONS**  
(NOT TO SCALE)



**IMAGE SENSOR AND JUNCTION BOX  
MOUNTING DETAILS**  
(NO SCALE)



**CAMERA MOUNTING ASSEMBLY DETAIL**  
(NOT TO SCALE)



**TYPICAL VIDEO VEHICLE  
DETECTION SYSTEM**  
(NOT TO SCALE)

- (4) MACHINE VISION PROCESSOR ASSEMBLIES AND BRACKETS ① ② ③ ④  
POWER CABLE TO EACH MACHINE VISION PROCESSOR (24 VAC)

REVISIONS	
NAME	DATE



**VIDEO DETECTION DETAILS**

SCALE: NONE  
DATE: 03/03/04

DESIGNED BY: JPS  
CHECKED BY: ANK