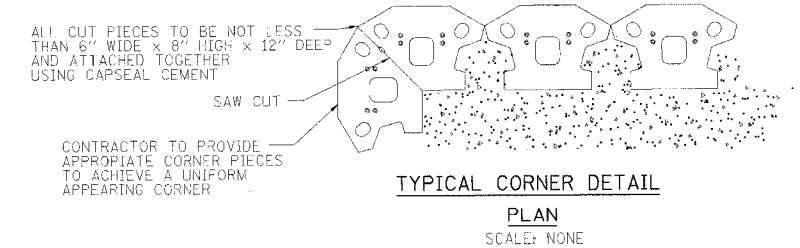
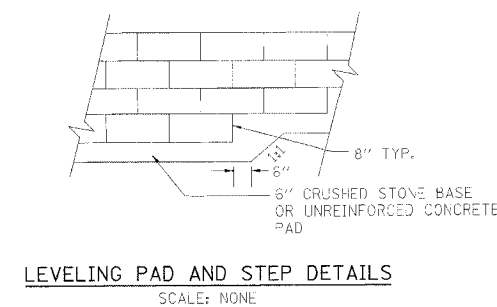
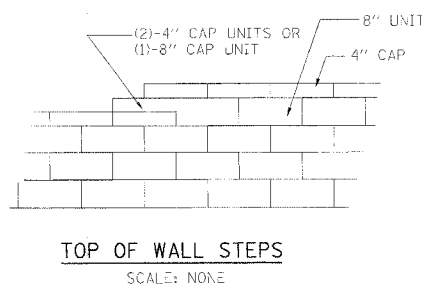
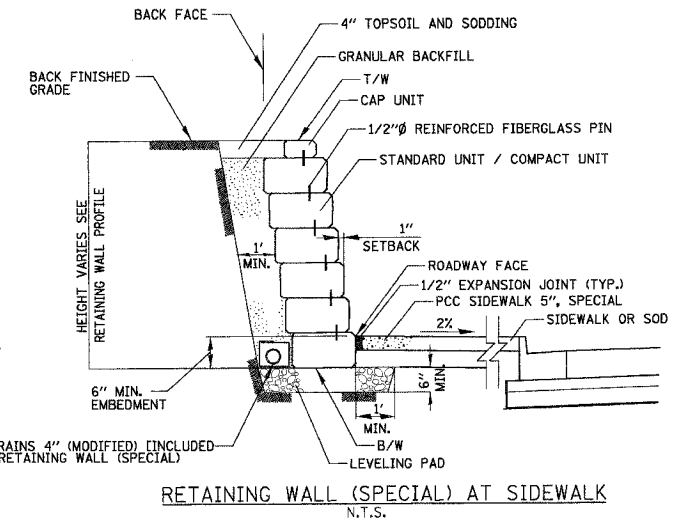
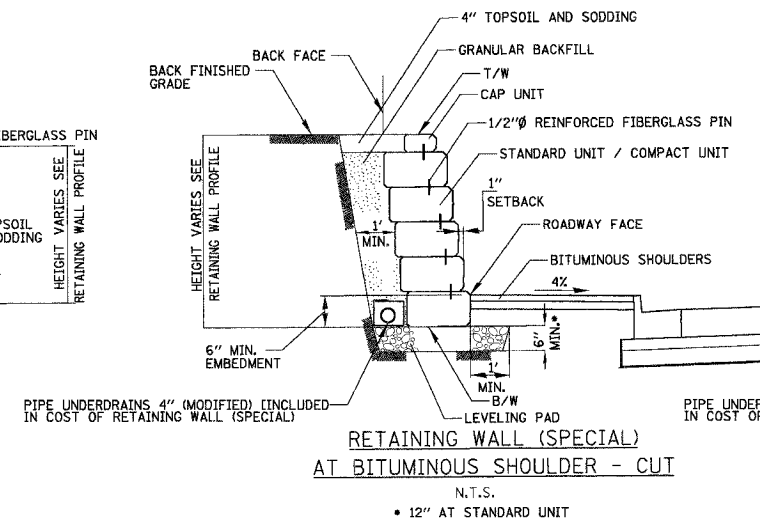
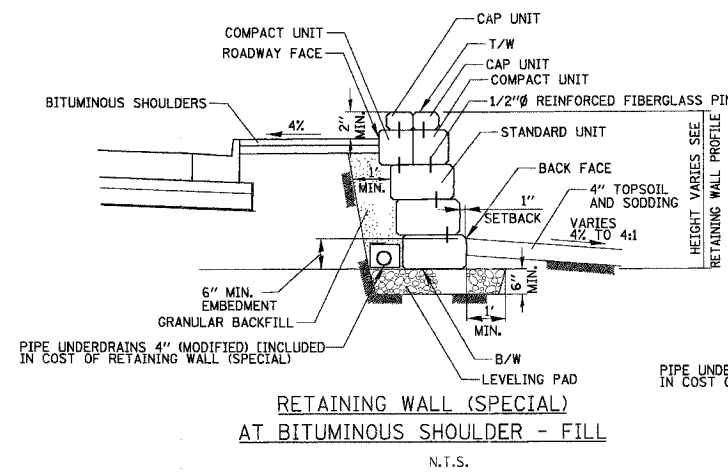
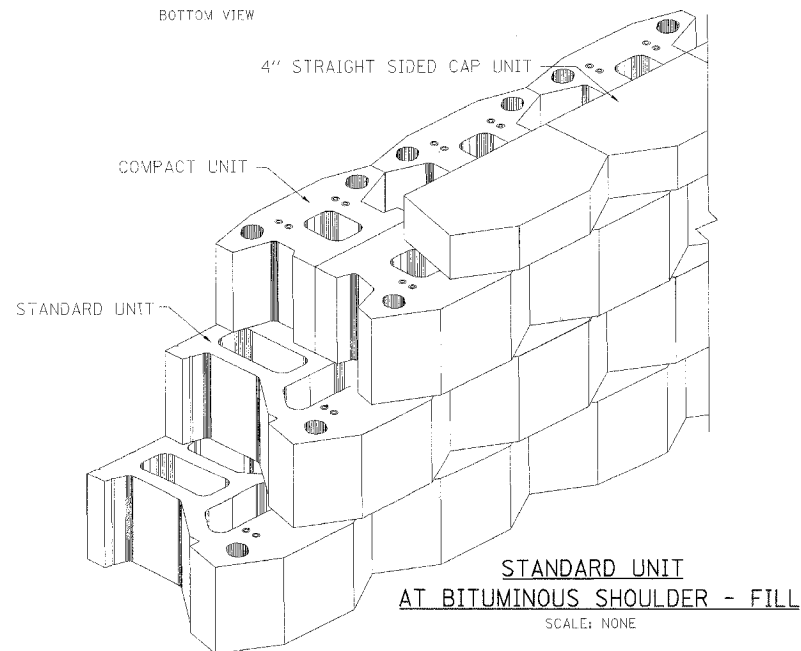
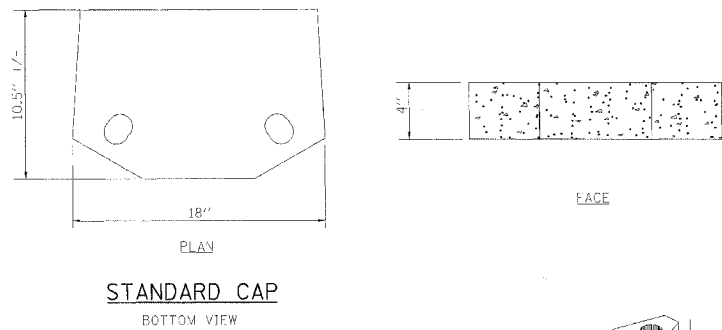
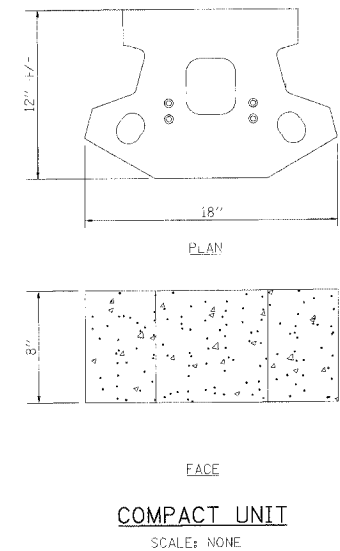
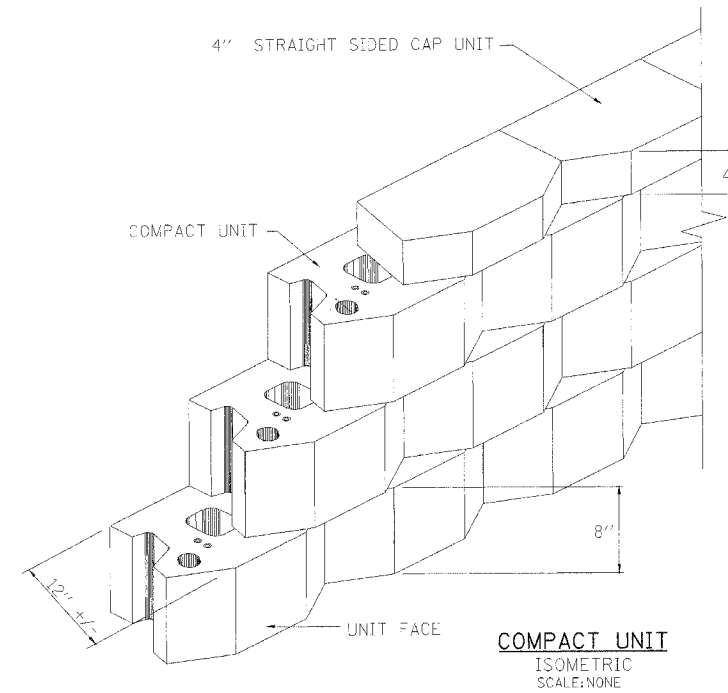
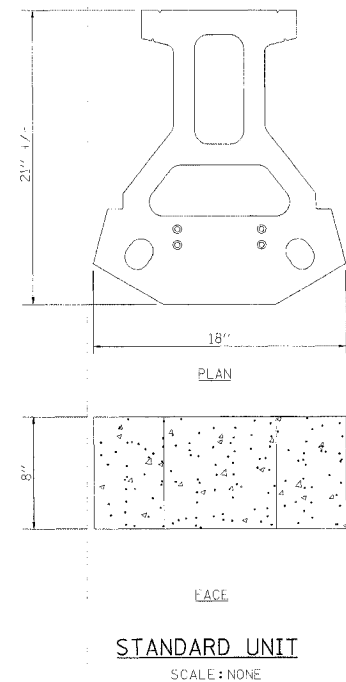
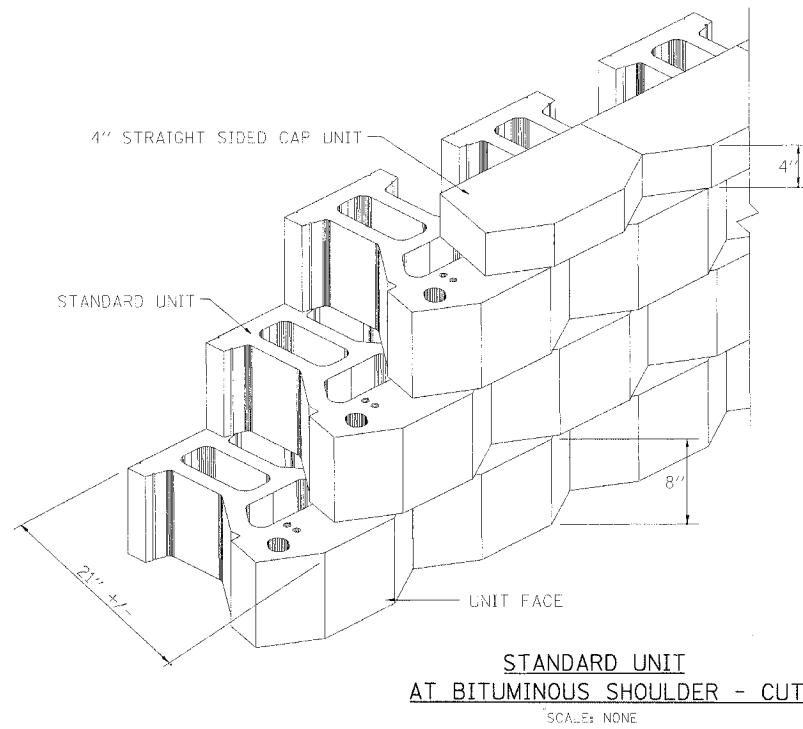


FAU	SECTION	COUNTY	TOTAL SHEETS	SHEET NO.
2647	99-00142-07-WR	LAKE	256	128
CONTRACT NO: 83815				
FED. ROAD DIST. NO. 1 ILLINOIS FED. AID PROJECT				



REVISIONS	NAME	DATE

ILLINOIS DEPARTMENT OF TRANSPORTATION
FAU 2647 - BUTTERFIELD ROAD
RETAINING WALL (SPECIAL) DETAILS
 SCALE: NONE
 DATE: 12/2/2005
 DRAWN BY: ELA/PMM
 CHECKED BY: BLL