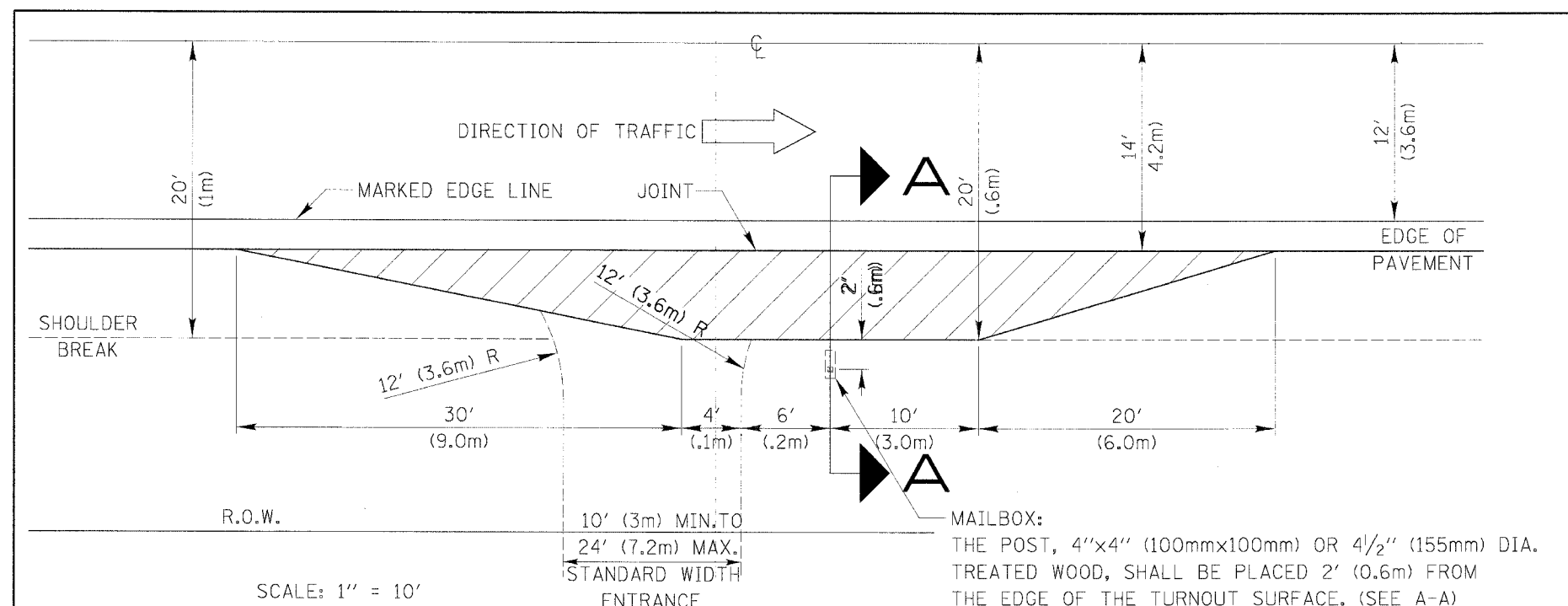


FAU	SECTION	COUNTY	TOTAL SHEETS	SHEET NO.
2647	99-00142-07-WR	LAKE	256	138
CONTRACT NO: 83815				
FED. ROAD DIST. NO. 1 ILLINOIS FED. AID PROJECT				

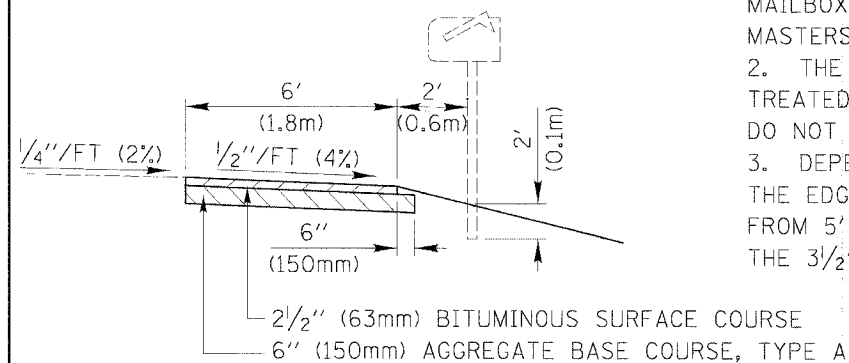


SCALE: 1" = 10'

MAILBOX:
THE POST, 4"x4" (100mmx100mm) OR 4 1/2" (155mm) DIA. TREATED WOOD, SHALL BE PLACED 2' (0.6m) FROM THE EDGE OF THE TURNOUT SURFACE. (SEE A-A)

DESIGN NOTES:

1. THE RESIDENT ENGINEER SHALL CONTACT THE LOCAL POSTMASTER PRIOR TO INSTALLING THE NEW MAILBOX POSTS FOR THE LOCAL MOUNTING HEIGHT OF THE MAILBOX. THE STANDARD MOUNTING HEIGHT IS 3 1/2' (1.05m); HOWEVER, LOCAL POSTMASTERS MAY VARY THIS HEIGHT.
2. THE STANDARD MAILBOX POST IS A 4"x4" (100mmX100mm) OR A 4 1/2" (155mm) DIA. TREATED WOOD POST. THE STANDARD BURY LENGTH OF THE POST IS 2' (600mm). DO NOT SHORTEN OR EXCEED THIS BURY LENGTH.
3. DEPENDING ON THE LOCATION OF THE SHOULDER BREAK WITH RESPECT TO THE EDGE OF THE MAILBOX TURNOUT THE OVERALL POST LENGTH MAY VARY FROM 5' 8" (1.7m) TO 6' 4" (1.9m) TO MAINTAIN THE 2' (600mm) BURY LENGTH AND THE 3 1/2' (1.05m) MOUNTING HEIGHT.



SECTION A-A
SCALE: 1" = 5'

LakeCounty
Division of Transportation
APPROVED BY: G. N. WIESNER
DATE: SEPT. 8, 1999

MAILBOX TURNOUT
ALONG UNCURBED ROADS

LC4011

REVISIONS	DATE
DUAL DIMENSIONS	03/11/02
DEL. TY. A (SPEC)	04/25/02

REVISIONS	
NAME	DATE

ILLINOIS DEPARTMENT OF TRANSPORTATION
FAU 2647 - BUTTERFIELD ROAD
MAILBOX TURNOUT
ALONG UNCURBED ROADS

SCALE: NONE
DATE: 12/2/2005

DRAWN BY: N/A
CHECKED BY: N/A