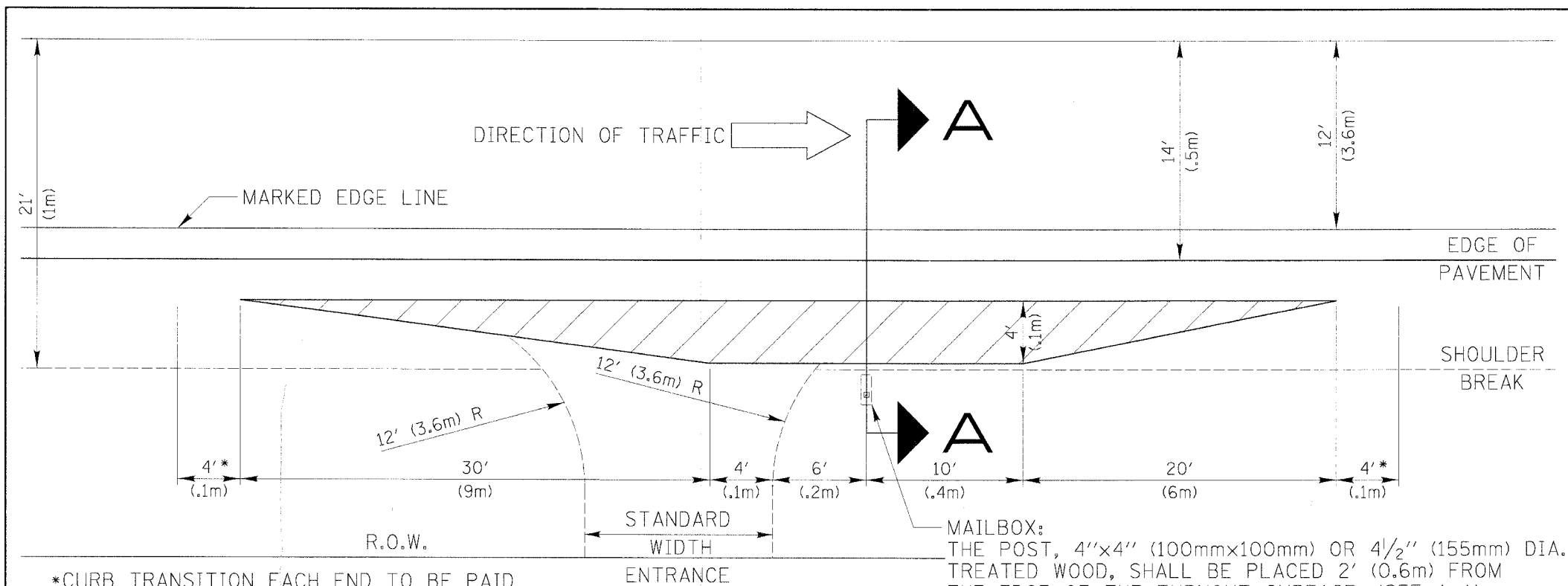


FAU	SECTION	COUNTY	TOTAL SHEETS	SHEET NO.
2647	99-00142-07-WR	LAKE	256	139
CONTRACT NO: 83815				
FED. ROAD DIST. NO. 1 ILLINOIS FED. AID PROJECT				

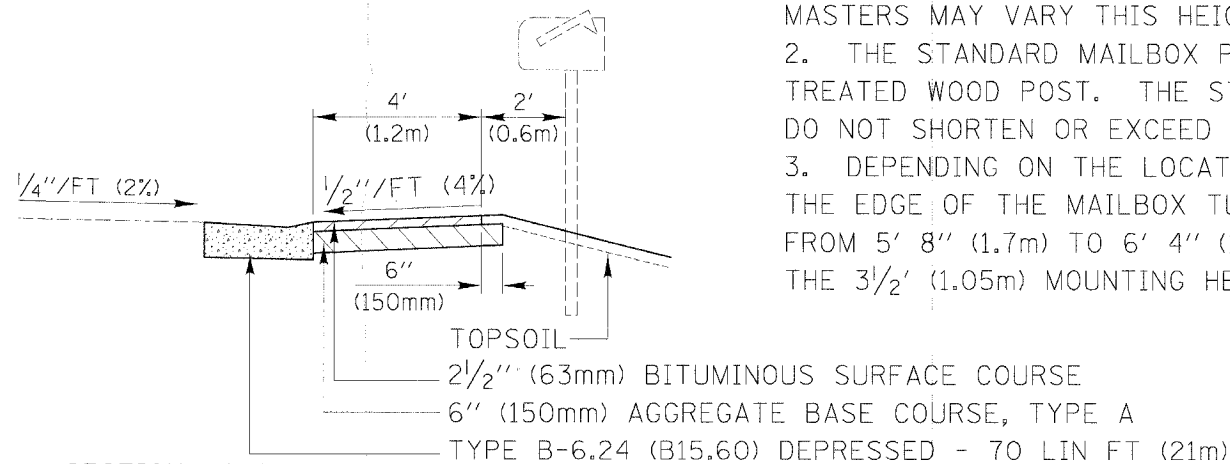


\*CURB TRANSITION EACH END TO BE PAID FOR AT THE CONTRACT UNIT PRICE FOR COMBINATION CONCRETE CURB AND GUTTER, TYPE B-6.24 (B15.60).

MAILBOX: THE POST, 4"x4" (100mmx100mm) OR 4 1/2" (155mm) DIA. TREATED WOOD, SHALL BE PLACED 2' (0.6m) FROM THE EDGE OF THE TURNOUT SURFACE. (SEE A-A)

DESIGN NOTES:

1. THE RESIDENT ENGINEER SHALL CONTACT THE LOCAL POSTMASTER PRIOR TO INSTALLING THE NEW MAILBOX POSTS FOR THE LOCAL MOUNTING HEIGHT OF THE MAILBOX. THE STANDARD MOUNTING HEIGHT IS 3 1/2' (1.05m); HOWEVER, LOCAL POSTMASTERS MAY VARY THIS HEIGHT.
2. THE STANDARD MAILBOX POST IS A 4"x4" (100mmx100mm) OR A 4 1/2" (155mm) DIA. TREATED WOOD POST. THE STANDARD BURY LENGTH OF THE POST IS 2' (600mm). DO NOT SHORTEN OR EXCEED THIS BURY LENGTH.
3. DEPENDING ON THE LOCATION OF THE SHOULDER BREAK WITH RESPECT TO THE EDGE OF THE MAILBOX TURNOUT THE OVERALL POST LENGTH MAY VARY FROM 5' 8" (1.7m) TO 6' 4" (1.9m) TO MAINTAIN THE 2' (600mm) BURY LENGTH AND THE 3 1/2' (1.05m) MOUNTING HEIGHT.



SECTION A-A  
SCALE: 1" = 5'



APPROVED BY: G. N. WIESNER  
DATE: SEPT. 8, 1999

MAILBOX TURNOUT  
ALONG CURBED ROADS

LC4012

REVISIONS	DATE
DUAL DIMENSIONS	03/11/02
DEL TY A (SPEC)	04/25/02

REVISIONS	
NAME	DATE

ILLINOIS DEPARTMENT OF TRANSPORTATION  
**FAU 2647 - BUTTERFIELD ROAD**  
**MAILBOX TURNOUT**  
**ALONG CURBED ROADS**

SCALE: NONE  
DATE: 12/2/2005  
DRAWN BY: N/A  
CHECKED BY: N/A