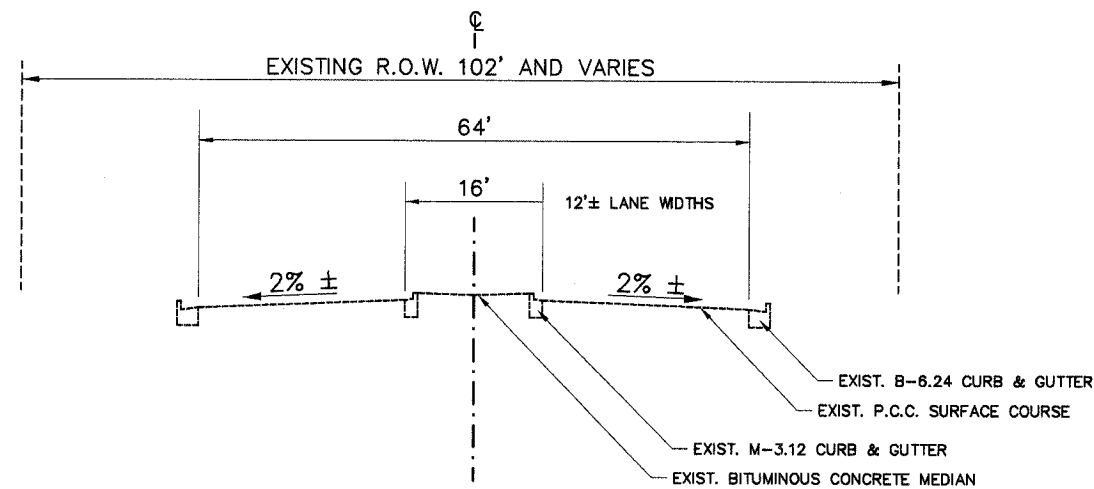
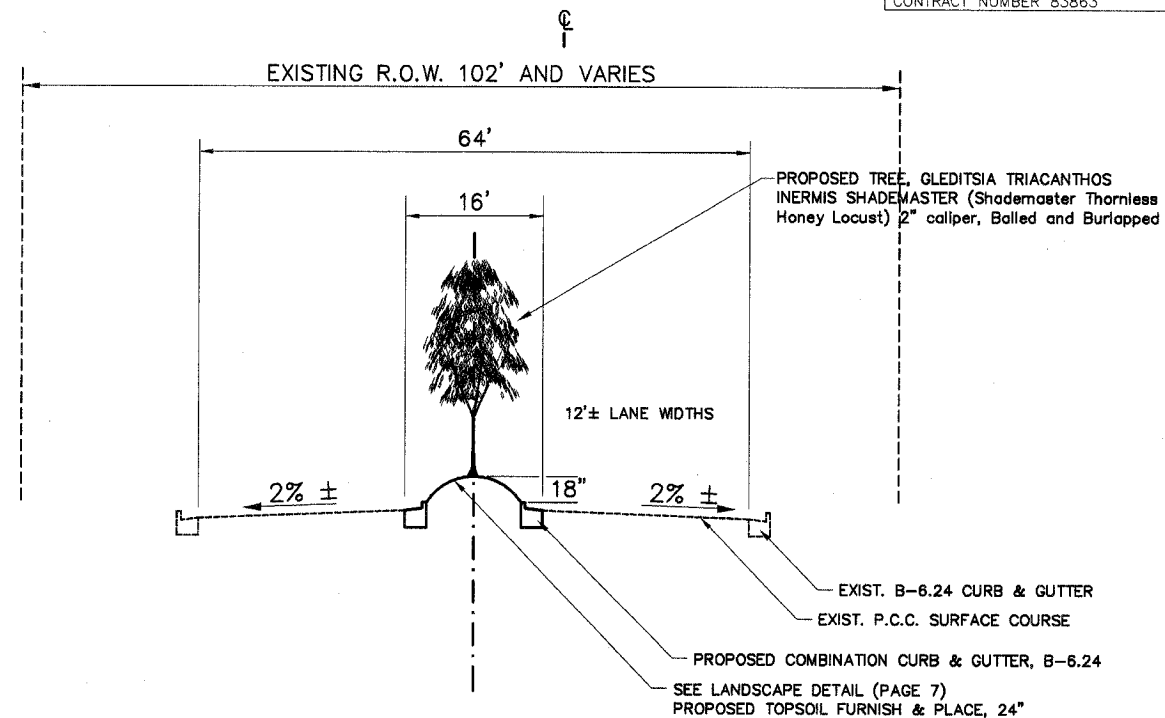


FAP RTE.	SECTION	COUNTY	TOTAL SHEETS	SHEET NO.
348	04-00040-00-LS	COOK	31	4
F.H.W.A. REG.	ILLINOIS	PROJECT:	F-0348(028)	
CONTRACT NUMBER 83863				



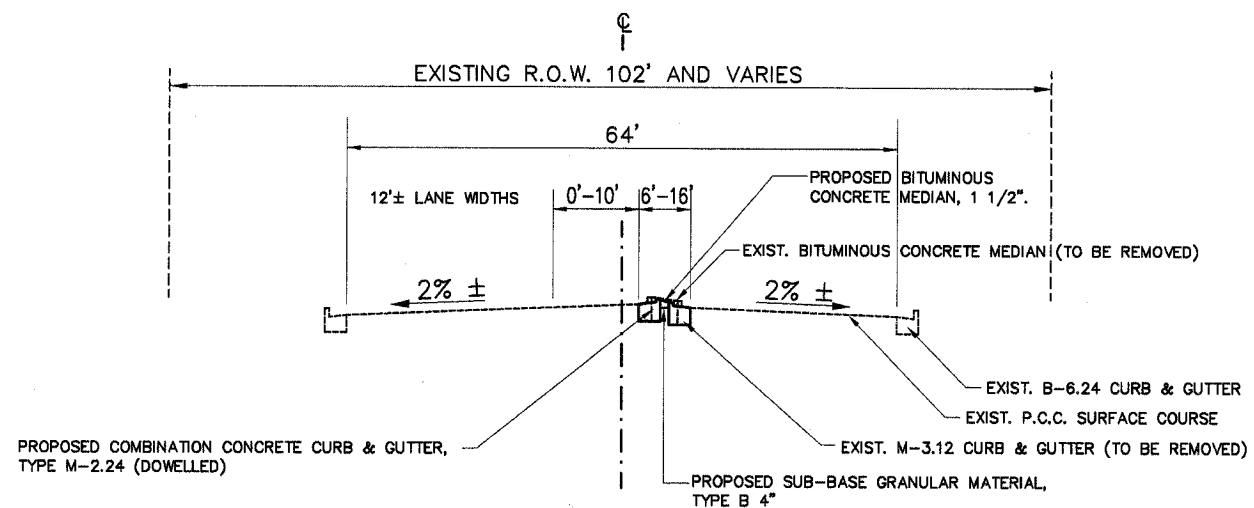
EXISTING TYPICAL SECTION - HARLEM AVENUE FULL MEDIAN

STA. 3+35 TO STA. 6+85 130th to 131st
 STA. 103+15 TO STA. 105+42 120th to 121st



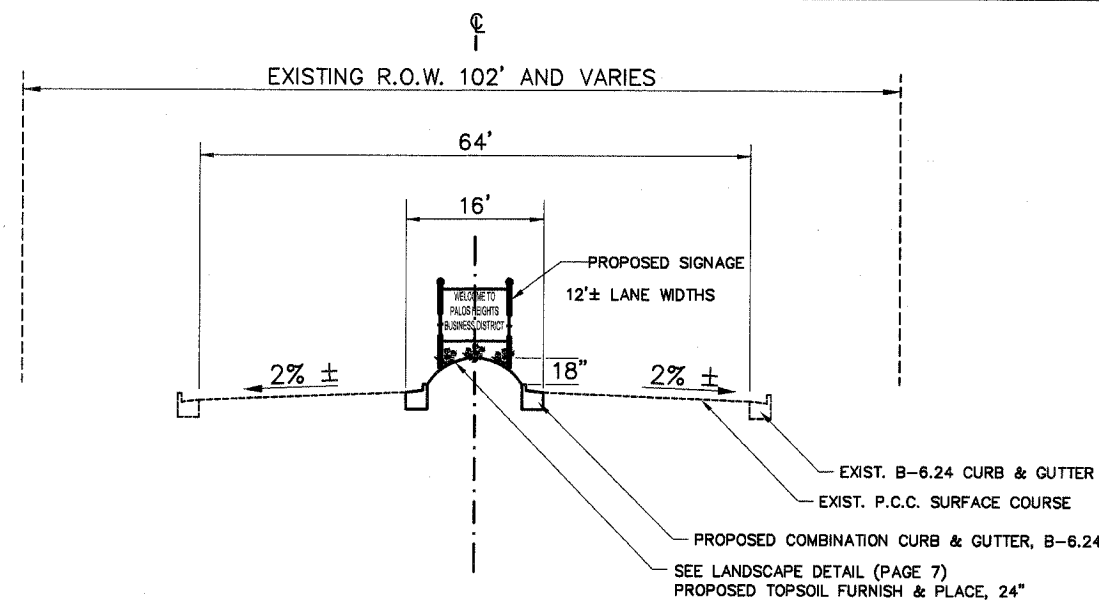
PROPOSED TYPICAL SECTION - HARLEM AVENUE FULL MEDIAN WITH LANDSCAPING

STA. 3+35 TO STA. 6+66 130th to 131st
 STA. 103+66 TO STA. 105+32 120th to 121st



PROPOSED & EXISTING TYPICAL SECTION - HARLEM AVENUE TRANSITION

STA. 1+63 TO STA. 3+34 & STA. 6+66 TO STA. 7+06 130th to 131st
 STA. 101+52 TO STA. 103+15 & STA. 103+15 TO STA. 103+66 & STA. 105+32 TO STA. 106+27 120th to 121st



PROPOSED SECTION @ WELCOME SIGN - HARLEM AVE FULL MEDIAN

STA. 3+35 TO STA. 3+39 130th to 131st
 STA. 105+24 TO STA. 105+28 120th to 121st

PROPOSED & EXISTING HARLEM AVENUE TURN LANES

STA. 0+53 TO STA. 1+63 130th to 131st
 STA. 100+50 TO STA. 101+52 120th to 121st

MORRIS ENGINEERING, INC.

5100 S. LINCOLN SUITE 100 • LISLE, ILLINOIS 60532
 PHONE: (630)271-0770 EMAIL: ECIVIL.COM
 DWG LOCATION: H\04-PH\3004\PLANS-ENG\REV-1
 DRAWN BY: CJS/CMM FLD. BK. / PG. NO. :
 COMPLETION DATE: 4/26/06 JOB NO.: 04-PH-3004

HARLEM AVENUE MEDIAN IMPROVEMENTS

**TYPICAL ROAD CROSS SECTION
 STA. 53+00 TO STA. 106+00**

DATE	REVISIONS	BY	SHEET
1 6/1/06	PER IDOT 5/18/06	OSC	4
2			
3			