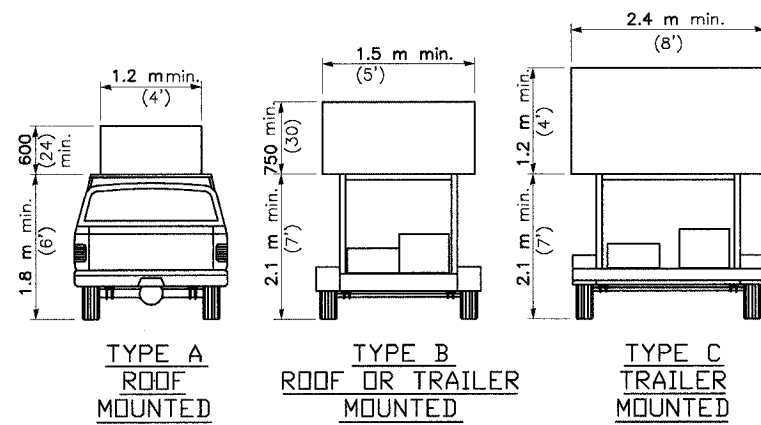
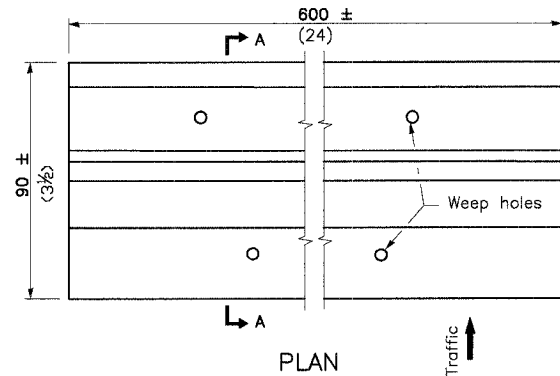


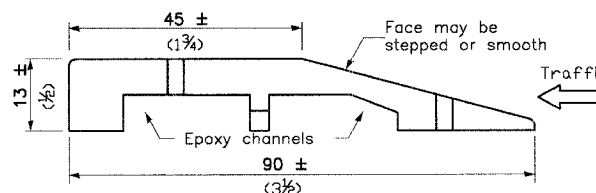
FAP RTE.	SECTION	COUNTY	TOTAL SHEETS	SHEET NO.
348	04-00040-00-LS	COOK	31	13
F.H.W.A. REG.	ILLINOIS	PROJECT:	F-0348(028)	
CONTRACT NUMBER 83863				



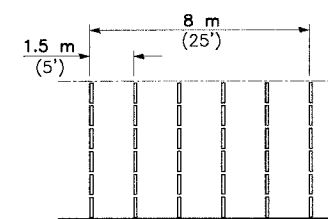
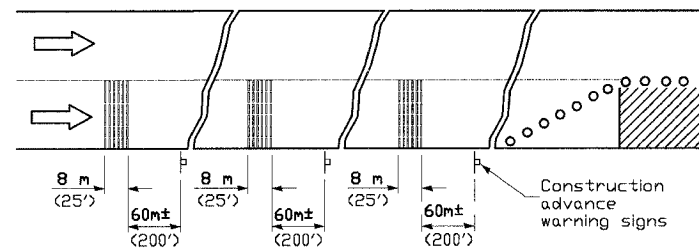
ARROW BOARDS



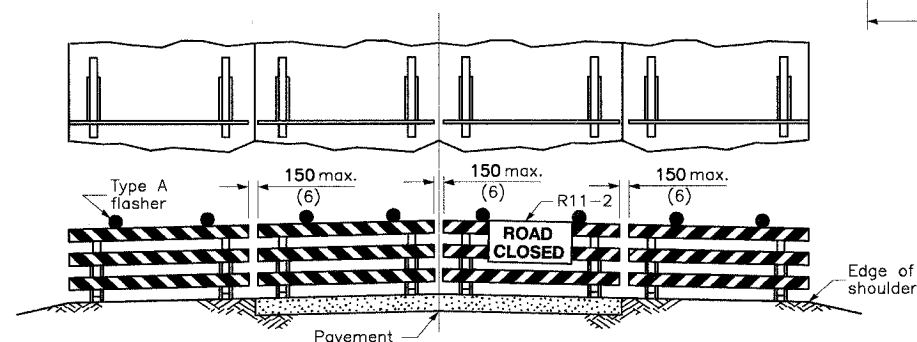
PLAN



SECTION A-A



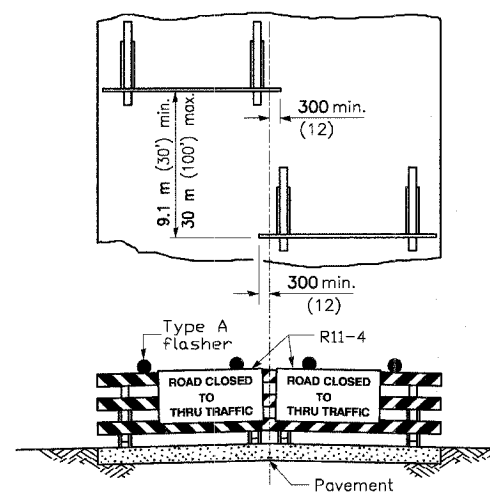
TYPICAL INSTALLATION



ROAD CLOSED TO ALL TRAFFIC

Reflectorized striping may be omitted on the back side of the barricades. If a Type III barricade with an attached sign panel which meets NCHRP 350 is not available, the sign may be mounted on an NCHRP 350 temporary sign support directly in front of the barricade.

TYPICAL APPLICATIONS OF TYPE III BARRICADES CLOSING A ROAD



TEMPORARY RUMBLE STRIPS

**ROAD CLOSED TO THRU TRAFFIC**  
 Reflectorized striping shall appear on both sides of the barricades. If a Type III barricade with an attached sign panel which meets NCHRP 350 is not available, the signs may be mounted on NCHRP 350 temporary sign supports directly in front of the barricade.

All dimensions are in millimeters (inches) unless otherwise shown.

TRAFFIC CONTROL DEVICES

(Sheet 3 of 3)

STANDARD 702001-06

Illinois Department of Transportation	
APPROVED	April 1, 2006
<i>[Signature]</i>	
ENGINEER OF OPERATIONS	
APPROVED	April 1, 2006
<i>[Signature]</i>	
ENGINEER OF DESIGN AND ENVIRONMENT	

**MORRIS ENGINEERING, INC.**

5100 S. LINCOLN • SUITE 100 • LISLE, ILLINOIS 60532  
 PHONE: (630)271-0770 • EMAIL: ECIVIL.COM  
 DWG LOCATION: H:\04-PH\3004\PLANS-ENG\REV-1  
 DRAWN BY: CJS/CMM FLD. BK. / PG. NO. :  
 COMPLETION DATE: 4/26/06 JOB NO.: 04-PH-3004

**HARLEM AVENUE MEDIAN IMPROVEMENTS**

**DETAIL SHEET**

DATE	REVISIONS	BY	SHEET
6/1/06	PER IDOT 5/18/06	OSC	<b>13</b>

OF 31 SHEETS