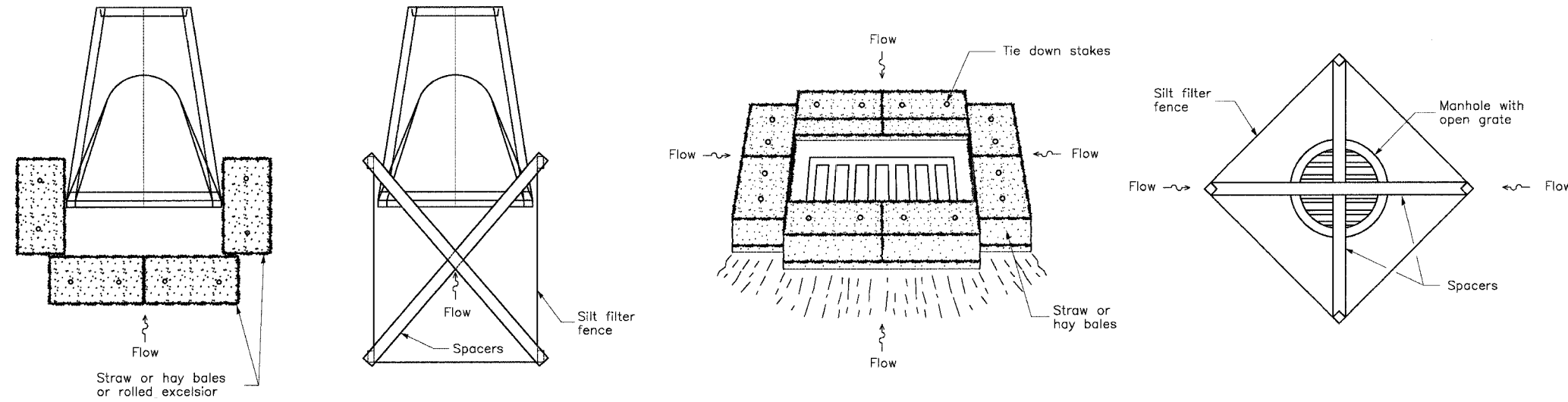
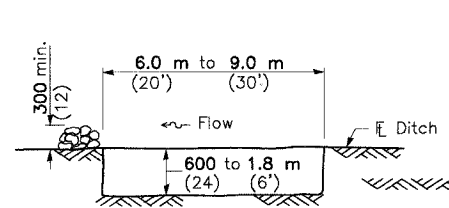


FAP RTE.	SECTION	COUNTY	TOTAL SHEETS	SHEET NO.
348	04-00040-00-LS	COOK	31	29
F.H.W.A. REG.	ILLINOIS	PROJECT:	F-0348(028)	
CONTRACT NUMBER 83863				

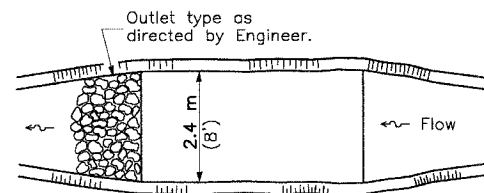


**INLET AND PIPE PROTECTION**



The performance of the basin will improve if put into a series.

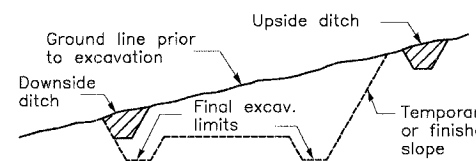
ELEVATION



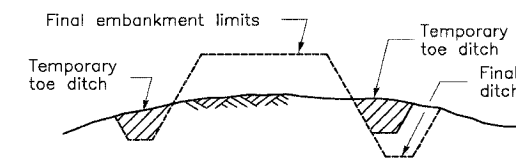
The long dimension should be parallel with the direction of the flow. Accumulated silt shall be removed anytime the basins become 75% filled.

PLAN

**SEDIMENT BASIN**



TYPICAL CUT CROSS SECTION



TYPICAL FILL CROSS SECTION

**TEMPORARY DITCHES FOR CUT & FILL SECTIONS**

**TEMPORARY EROSION CONTROL SYSTEMS**  
(Sheet 3 of 3)  
**STANDARD 280001-02**

**MORRIS ENGINEERING, INC.**  
5100 S. LINCOLN SUITE 100 • LISLE, ILLINOIS 60532  
PHONE: (630)271-0770 • EMAIL: ECMIL.COM  
DWG LOCATION: H:\04-PH\3004\PLANS-ENG\REV-1  
DRAWN BY: CJS/CMM FLD. BK. / PG. NO. :  
COMPLETION DATE: 4/26/06 JOB NO.: 04-PH-3004

**HARLEM AVENUE MEDIAN IMPROVEMENTS**

**DETAIL SHEET**

DATE	REVISIONS	BY	SHEET
1 6/1/06	PER IDOT 5/18/06	OSC	<b>29</b> OF 31 SHEETS
2			
3			