

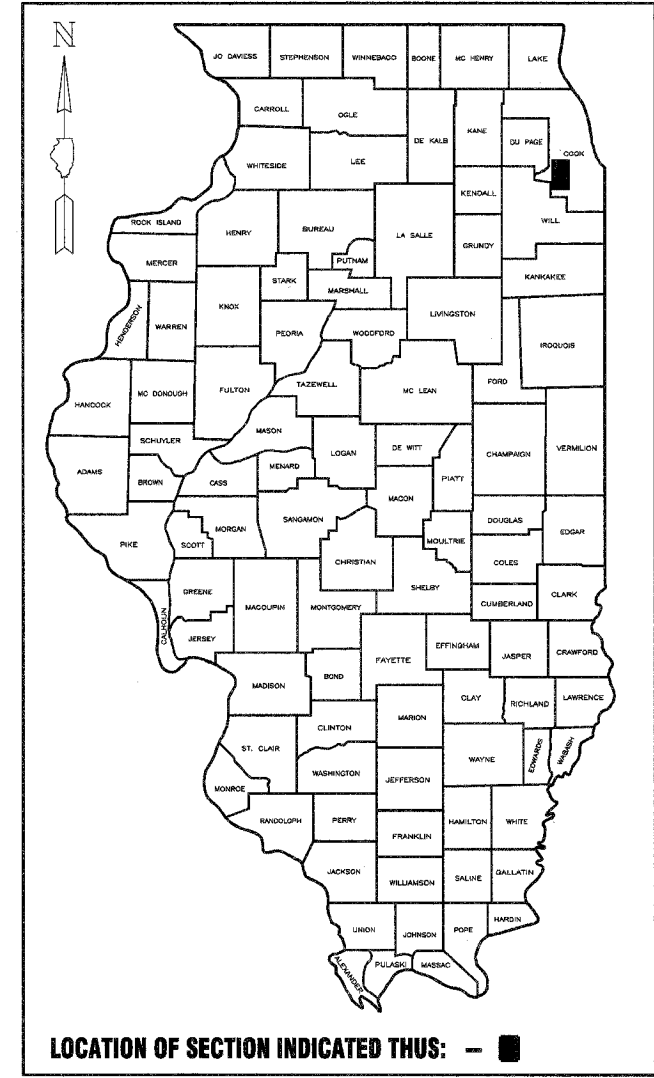
FAP RTE.	SECTION	COUNTY	TOTAL SHEETS	SHEET NO.
348	04-00040-00-LS	COOK	31	1
F.H.W.A. REC.	ILLINOIS	PROJECT: F-0348(028)		
CONTRACT NUMBER 83863				

INDEX TO SHEETS

1. COVER SHEET, INDEX TO SHEETS, LOCATION MAP, INDEX OF STANDARDS
2. NOTES, STANDARD SYMBOLS
3. SUMMARY OF QUANTITIES
4. TYPICAL SECTIONS
5. ROADWAY PLAN
HARLEM AVE. FROM 131ST ST. TO 130TH ST.
6. ROADWAY PLAN
HARLEM AVE. FROM 121ST ST. TO 120TH ST.
- 7-29. CONSTRUCTION DETAILS & STANDARDS
30. CROSS SECTION
HARLEM AVE. FROM 131ST TO 130TH ST.
31. CROSS SECTION
HARLEM AVE. FROM 121ST ST. TO 120TH ST.

STATE OF ILLINOIS DEPARTMENT OF TRANSPORTATION DIVISION OF HIGHWAYS PLANS FOR PROPOSED FEDERAL AID URBAN PROJECT

F.A.P 348 (IL 43 / HARLEM AVENUE)
FROM 131ST ST. TO 130TH ST.
FROM 121ST ST. TO 120TH ST.
"LANDSCAPE MEDIAN IMPROVEMENTS"
SECTION NO. 04-00040-00-LS
PROJECT F-0348(028)
JOB NO. C-91-370-04
CITY OF PALOS HEIGHTS
COOK COUNTY

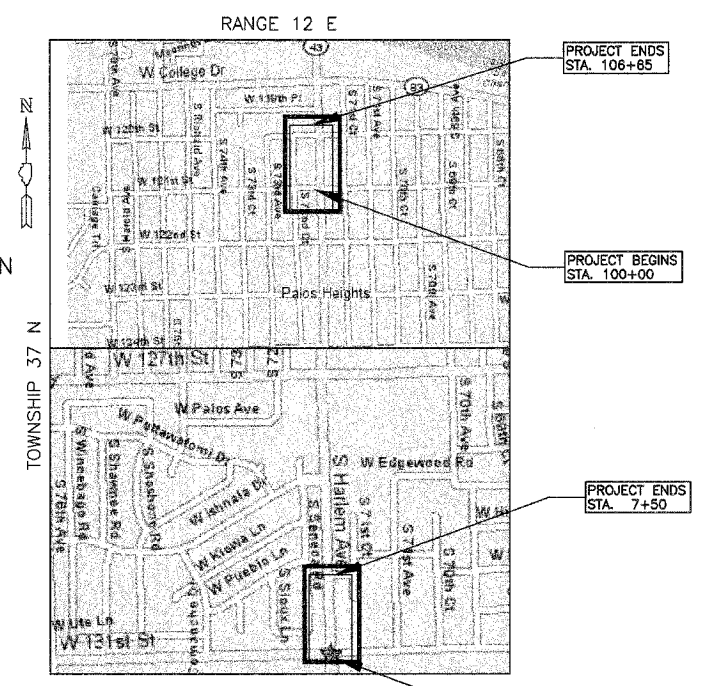


STATE STANDARDS

- 280001-02 TEMPORARY EROSION CONTROL SYSTEMS
- 606001-02 CONCRETE CURB TYPE B AND COMBINATION CONCRETE CURB & GUTTER
- 701601-04 URBAN LANE CLOSURE MULTILANE 1W OR 2W WITH NON TRAVERSABLE MEDIAN
- 701701-04 URBAN LANE CLOSURE MULTILANE INTERSECTION
- 702001-06 TRAFFIC CONTROL DEVICES
- 720001 SIGN PANEL MOUNTING DETAILS
- 720006 SIGN PANEL ERECTION DETAILS
- 780001-01 TYPICAL PAVEMENT MARKINGS
- B.L.R. 17-3 TYPICAL APPLICATION OF TRAFFIC CONTROL DEVICES
- B.L.R. 21-6 TRAFFIC CONTROL DEVICES - DAY LABOR CONSTRUCTION FOR CONSTRUCTION ON RURAL LOCAL HIGHWAYS

PLAN	1 INCH = 30 FEET
PROFILE HORIZ.	1 INCH = 30 FEET
PROFILE VERT.	1 INCH = 5 FEET
CROSS-SECTIONS HORIZ.	1 INCH = 10 FEET
CROSS-SECTIONS VERT.	1 INCH = 5 FEET

DESIGN DESIGNATION
ILL RTE 43 (HARLEM AVENUE)
200 (20) ARTERIAL 0.82 (BIT. 20)
POSTED SPEED = 35 MPH
DESIGN SPEED = N/A
ADT = 37,900, DHV = 200



LOCATION MAP

□ - DENOTES PROJECT LOCATION
NET LENGTH OF PROJECT = 5,283 LIN FT (1.0 MILE)
GROSS LENGTH OF PROJECT = 5,283 LIN FT (1.0 MILE)

STATE OF ILLINOIS
DEPARTMENT OF TRANSPORTATION
DIVISION OF HIGHWAYS

APPROVED July 26 2006
[Signature]
DIRECTOR OF PUBLIC WORKS, PALOS HEIGHTS

PASSED JULY 28 2006
[Signature]
CHRISTOPHER HOYT
BUREAU OF LOCAL ROADS AND STREETS

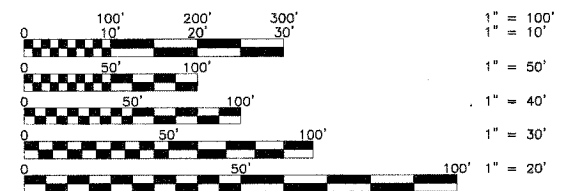
SIGNED July 31 2006
[Signature]
DIANE O'KEEFE/CAL
DEPUTY DIRECTOR OF HIGHWAYS, REGION ENGINEER

PRINTED BY AUTHORITY OF THE STATE OF ILLINOIS



MORRIS ENGINEERING, INC.
5100 S. LINCOLN • SUITE 100 • LISLE, ILLINOIS 60532
PHONE: (630)271-0770 • EMAIL: ECIVIL.COM

DWG LOCATION: H\04-PH\3004\PLANS-ENG-REV-1
DRAWN BY: CJS/CMM FLD. BK. / PG. NO. : .
COMPLETION DATE: 4/26/06 JOB NO. : 04-PH-3004
REVISION DATE: 6/1/06



FULL SIZE PLANS HAVE BEEN PREPARED USING STANDARD ENGINEERING SCALES. REDUCED SIZED PLANS WILL NOT CONFORM TO STANDARD SCALES. IN MAKING MEASUREMENTS ON REDUCED PLANS, THE ABOVE SCALES MAY BE USED.

CONTRACT NO. 83863

FEDERAL-AID DESIGN ENGINEER: KEVIN STALLWORTH (847)705-4169

PLOT DATE: JUL 28, 2006 FILENAME: H:\04-PH\3004\PLANS-ENG-REV-1\DWG1.DWG

FAP RTE.	SECTION	COUNTY	TOTAL SHEETS	SHEET NO.
348	04-00040-00-LS	COOK	31	2
F.H.W.A. REG.		ILLINOIS	PROJECT: F-0348(028)	
CONTRACT NUMBER 83863				

GENERAL NOTES

- ALL EARTHWORK, GRADING, UTILITIES, AND STREET IMPROVEMENTS WORK SHALL BE PERFORMED IN ACCORDANCE WITH THE LATEST EDITION OF THE ILLINOIS DEPARTMENT OF TRANSPORTATION DIVISION OF HIGHWAYS STANDARD SPECIFICATIONS FOR ROAD AND BRIDGE CONSTRUCTION, THE STANDARD SPECIFICATIONS FOR WATER AND SEWER MAIN CONSTRUCTION IN ILLINOIS, AND ALL REVISIONS THERETO.
- THE CONTRACTOR SHALL BE RESPONSIBLE FOR PROVIDING SAFE AND HEALTHFUL WORKING CONDITIONS IN ACCORDANCE WITH SECTION 107 OF THE STANDARD SPECIFICATIONS FOR ROAD AND BRIDGE CONSTRUCTION THROUGHOUT THE CONSTRUCTION OF THE PROPOSED IMPROVEMENTS.
- SOIL EROSION AND SEDIMENTATION CONTROL PRACTICES AND DEVICES SHALL BE IN ACCORDANCE WITH THE LATEST EDITION OF THE URBAN COMMITTEE OF THE ASSOCIATION OF ILLINOIS SOIL AND WATER CONSERVATION DISTRICTS' PROCEDURES AND STANDARDS FOR URBAN SOIL EROSION AND SEDIMENTATION CONTROL IN ILLINOIS, AND ALL REVISIONS THERETO AND IN ACCORDANCE WITH THE DETAILS ON THE PLANS.
- THE CONTRACTOR SHALL BE AWARE OF POTENTIAL CONFLICTS WITH EXISTING UTILITIES AS INDICATED ON THE PLANS. THE CONTRACTOR SHALL EXCAVATE AROUND UTILITIES TO DETERMINE ELEVATIONS BEFORE BEGINNING CONSTRUCTION.
- THE CONTRACTOR SHALL BE RESPONSIBLE FOR NOTIFYING EACH OF THE UTILITY COMPANIES BEFORE ANY WORK COMMENCES. ALL UTILITIES SHALL BE STAKED PRIOR TO CONSTRUCTION.
- THE OWNER WILL FURNISH THE CONTRACTOR WITH LINES, GRADES AND ELEVATIONS NECESSARY TO THE PROPER PROSECUTION AND CONTROL OF THE WORK ONLY.
- THE CONTRACTOR SHALL GIVE THE ENGINEER AT LEAST SEVENTY-TWO (72) HOURS NOTICE FOR ANY STAKING TO BE DONE. EACH OF THE VARIOUS ITEMS OF WORK COVERED BY THIS CONTRACT WILL BE STAKED ONCE. ADDITIONAL STAKING REQUIRED DUE TO THE CONTRACTOR'S NEGLIGENCE IN PRESERVING THE STAKES SHALL BE PAID FOR BY THE CONTRACTOR AT THE CURRENT HOURLY RATE.
- THE CONTRACTOR SHALL INFORM THE ENGINEER, PALOS HEIGHTS, AND THE ILLINOIS DEPARTMENT OF TRANSPORTATION AT LEAST FORTY-EIGHT (48) HOURS PRIOR TO COMMENCEMENT OF CONSTRUCTION.

TELEPHONE NUMBERS:

ENGINEER - (630) 271-0770
 PALOS HEIGHTS - (708) 361-1805
 ILLINOIS DEPARTMENT OF TRANSPORTATION - (847) 705-4300

- THE CONTRACTOR SHALL FAMILIARIZE HIMSELF WITH THE PLANS AND SPECIFICATIONS AND SHALL INFORM THE ENGINEER IMMEDIATELY OF ANY DISCREPANCIES THAT THE CONTRACTOR DISCOVERS DURING THE BIDDING PERIOD. SAID DISCREPANCIES WILL BE CLARIFIED BY THE ENGINEER TO THE BEST OF HIS ABILITY PRIOR TO RECEIPT OF BIDS. THE ENGINEER WILL BE UNRECEPTIVE TO CLAIMS FOR ADDITIONAL COMPENSATION FOR WORK ITEMS BECAUSE OF CONTRACTOR'S LACK OF COMPLIANCE WITH THIS REQUIREMENT.
- THE CONTRACTOR SHALL INFORM THE ENGINEER IMMEDIATELY OF ANY LATENT DISCREPANCIES THAT THE CONTRACTOR DISCOVERS DURING THE CONSTRUCTION PROCESS. THE ENGINEER WILL BE UNRECEPTIVE TO CLAIMS FOR ADDITIONAL COMPENSATION FOR WORK PERFORMED TO CORRECT A LATENT CONDITION NOT BROUGHT TO THE ATTENTION OF THE ENGINEER.
- THE CONTRACTOR SHALL NOT PLACE ANY EXCAVATED MATERIAL UPON ANY TOPSOIL. THE TOPSOIL SHALL BE REMOVED FROM ALL AREAS TO BE FILLED AND SHALL BE STOCKPILED IN AREAS AS DIRECTED BY THE ENGINEER.
- THE CONTRACTOR SHALL NOT DISCHARGE INTO STREAMS, PONDS, WETLANDS OR ITS TRIBUTARIES ANY MOTOR OIL, TRANSMISSION FLUID, LUBRICANTS OR ANY OTHER PETROLEUM DISTILLATES, ANY PETROLEUM DISTILLATES DISCHARGED ON THE GROUND SURFACE SHALL BE PROMPTLY AND PROPERLY REMOVED PRIOR TO THE RESUMPTION OF ANY WORK ON THE PROJECT.
- THE CONTRACTOR SHALL PRESERVE AND PROTECT ALL EXISTING FIELD TILES. ANY FIELD TILES DAMAGED BY THE CONTRACTOR'S OPERATIONS SHALL BE REPAIRED OR REPLACED BY THE CONTRACTOR AT HIS SOLE EXPENSE. INVESTIGATION SHALL BE MADE TO INSURE THAT FIELD TILES DO NOT CONVEY OFF SITE WATER. TILES THAT CONVEY OFF SITE WATER SHALL BE REROUTED THROUGH THE SITE. TILES THAT DO NOT CONVEY OFF SITE WATER SHALL BE ABANDONED IN AN APPROPRIATE MANNER APPROVED BY THE COUNTY ENGINEER. FIELD TILES WITHIN A RIGHT-OF-WAY SHALL BE REMOVED AND BACKFILLED WITH CA-6 COMPACTED IN EIGHT INCH LIFTS TO THE BOTTOM OF THE ROADWAY BASE. EXISTING FIELD TILES SHALL BE REMOVED BY SLIT TRENCHING.

14. THE CONTRACTOR SHALL BE RESPONSIBLE TO PLACE OR ADJUST ALL FIRE HYDRANTS, FRAMES AND LIDS OR GRATES, AND ALL GRATES FOR MANHOLES, CATCH BASINS, INLETS AND VALVE VAULTS AT THE ELEVATIONS SHOWN AND SPECIFIED ON THE PLANS. NO ADDITIONAL COMPENSATION SHALL BE MADE FOR SAID ADJUSTMENT AND THE COST OF SAID ADJUSTMENT SHALL BE INCLUDED IN THE UNIT PRICE FOR THE VARIOUS DRAINAGE STRUCTURES MENTIONED ABOVE.

GENERAL NOTES (CONTINUED)

- WHERE SHOWN ON THE PLANS OR DIRECTED BY THE ENGINEER, EXISTING DRAINAGE STRUCTURES AND SYSTEMS SHALL BE CLEANED OF DEBRIS AND PATCHED AS NECESSARY TO ASSURE INTEGRITY OF THE STRUCTURE. THIS WORK WILL BE PAID FOR AT THE CONTRACT UNIT PRICE PER EACH FOR STRUCTURES AND CONTRACT UNIT PRICE PER LINEAL FOOT FOR SYSTEMS WHICH SHALL BE PAYMENT IN FULL FOR CLEANING, PATCHING, REMOVAL AND DISPOSAL OF DEBRIS AND DIRT. DRAINAGE STRUCTURES AND SYSTEMS CONSTRUCTED AS PART OF THIS PROJECT SHALL BE MAINTAINED BY THE CONTRACTOR AT HIS EXPENSE UNTIL FINAL ACCEPTANCE BY THE OWNER OR COUNTY.
- THE CONTRACTOR SHALL KEEP PUBLIC STREET PAVEMENTS CLEAN OF DIRT AND DEBRIS AND, WHEN NECESSARY, SHALL ON A DAILY BASIS CLEAN THE PAVEMENT OF SUCH DIRT AND DEBRIS RESULTING FROM CONSTRUCTION OPERATIONS.
- THE CONTRACTOR SHALL PLACE TOPSOIL AT A 4" MINIMUM DEPTH AND SOD ALL AREAS DESIGNATED BY THE ENGINEER.
- THE CONTRACTOR SHALL EXAMINE THE DRAINAGE PATTERNS SHOWN ON THE PLANS AND MAKE CERTAIN THAT ALL OVERFLOW POINT ELEVATIONS AND CROSS SECTIONS ARE CONSTRUCTED STRICTLY IN ACCORDANCE WITH THOSE SHOWN ON THE PLANS.
- ALL CONSTRUCTION SHALL CONFORM WITH THE PERMIT PLANS AND REVISIONS THERETO APPROVED BY DuPAGE COUNTY AND ILLINOIS-AMERICAN WATER COMPANY.
- THE CONTRACTOR SHALL CONTACT J.U.L.I.E. (1-800-892-0123) PRIOR TO ANY WORK IN THE RIGHT OF WAY OR EASEMENTS TO LOCATE UTILITIES, AND CONTACT THE OWNER'S REPRESENTATIVE SHOULD PUBLIC UTILITIES APPEAR TO BE IN CONFLICT WITH THE PROPOSED IMPROVEMENTS.
- ALL WORK HEREIN PROPOSED SHALL BE COMPLETED IN ACCORDANCE WITH THE REQUIREMENTS OF THE STATE OF ILLINOIS ENVIRONMENTAL PROTECTION AGENCY, THE ILLINOIS DEPARTMENT OF TRANSPORTATION, THE MUNICIPALITY, AND ALL PERTINENT LAWS, DIRECTIVES, ORDINANCES AND THE LIKE SHALL BE CONSIDERED TO BE A PART OF THESE SPECIFICATIONS.
- THE APPROXIMATE LOCATION OF KNOWN PUBLIC UTILITIES ARE SHOWN ON THE PLANS. HOWEVER, THE ENGINEER DOES NOT GUARANTEE ITS ACCURACY. THE CONTRACTOR SHALL BE RESPONSIBLE FOR NOTIFYING EACH OF THE UTILITY COMPANIES BEFORE ANY WORK COMMENCES.
- ALL PROPOSED ELEVATIONS SHOWN ARE RELATIVE TO U.S.G.S. DATUM.

SOIL EROSION AND SEDIMENTATION CONTROL NOTES

- THE FOLLOWING PRINCIPLES SHALL APPLY TO ALL MOVEMENT OF EARTH AND STORM DRAINAGE. SEDIMENT AND EROSION CONTROL DEVICES SHALL BE FUNCTIONAL BEFORE LAND IS OTHERWISE DISTURBED ON SITE.
- THE SMALLEST PRACTICAL AREA OF LAND IS TO BE EXPOSED AT ANY GIVEN TIME DURING CONSTRUCTION. EXPOSURE SHALL BE KEPT TO AS SHORT A DURATION OF TIME AS IS PRACTICAL.
- THE CONTRACTOR SHALL INSTALL TEMPORARY SEEDING WHERE EXPOSED AREAS REQUIRE PROTECTION TO CONTROL SOIL EROSION AND SEDIMENTATION DURING CONSTRUCTION AS SPECIFIED HEREIN AND AS DIRECTED BY THE OWNER OR ENGINEER. TEMPORARY SOIL STABILIZATION SHALL BE APPLIED TO DISTURBED AREAS WITHIN 15 CALENDAR DAYS OF THE END OF ACTIVE HYDROLOGIC DISTURBANCE. PERMANENT STABILIZATION SHALL BE DONE WITHIN 15 DAYS AFTER COMPLETION OF FINAL GRADING OF THE SOIL.
- THE CONTRACTOR SHALL INSTALL SEDIMENT BASINS OR SILT TRAPS IF SPECIFIED ON THE DRAWINGS TO CONTROL SEDIMENT FROM LEAVING THE SITE.
- STABILIZE AND PROTECT DISTURBED AREAS. SOIL DISTURBANCE SHALL BE CONDUCTED IN SUCH A MANNER AS TO MINIMIZE EROSION. SOIL STABILIZATION MEASURES SHALL CONSIDER THE TIME OF YEAR, SITE CONDITIONS, AND THE USE OF TEMPORARY OR PERMANENT MEASURES. MECHANICAL, STRUCTURAL, AND/OR VEGETATIVE CONTROL METHODS SHALL BE USED IN ORDER TO RETARD SOIL EROSION IF DIRECTED BY THE OWNER OR HIS AUTHORIZED REPRESENTATIVE.
- KEEP RUN-OFF VELOCITIES LOW WITH SHORT SLOPES AND LOW GRADIENTS. THE INSTALLATION OF NATURAL VEGETATIVE COVER HELPS TO KEEP STORM WATER VELOCITIES LOW, AND THUS LIMIT SOIL EROSION EFFECTS.
- PROTECT DISTURBED AREAS FROM STORM WATER RUN-OFF. SOIL EROSION AND SEDIMENT CONTROL FEATURES SHALL BE CONSTRUCTED PRIOR TO THE COMMENCEMENT OF UPLAND DISTURBANCE. PROTECTIVE MEASURES SHALL BE UTILIZED TO DIVERT RUN-OFF FROM DISTURBED AREAS.
- RETAIN SEDIMENT WITHIN THE SITE AREA - SEDIMENT BASINS SHALL BE CONSTRUCTED IN ORDER TO DETAIN SEDIMENT LADEN RUN-OFF SO THAT THE SOIL PARTICLES SETTLE OUT. ALL TEMPORARY EROSION AND SEDIMENT CONTROL MEASURES SHALL BE REMOVED WITHIN 30 DAYS AFTER FINAL SITE STABILIZATION IS ACHIEVED OR AFTER THE TEMPORARY MEASURES ARE NO LONGER NEEDED. TRAPPED SEDIMENT AND OTHER DISTURBED SOIL AREAS SHALL BE PERMANENTLY STABILIZED.
- ATURAL PLANT COVER SHALL BE MAINTAINED AND PROTECTED AND ALL TEMPORARY AND PERMANENT EROSION CONTROL MEASURES SHALL BE MAINTAINED AND REPAIRED AS NEEDED. THE GENERAL CONTRACTOR WILL BE RESPONSIBLE FOR INSPECTION AND REPAIR DURING CONSTRUCTION.
- PROTECTION OF EXISTING FACILITIES AND UTILITIES - THE CONTRACTOR SHALL PROVIDE AND MAINTAIN ALL NECESSARY FACILITIES FOR THE PROTECTION OF ALL EXISTING UTILITIES ON OR ADJACENT TO THE PROJECT. ALL STORM SEWER FACILITIES THAT ARE OR WILL BE FUNCTIONING DURING CONSTRUCTION SHALL BE PROTECTED, FILTERED, OR OTHERWISE TREATED TO REMOVE SEDIMENT. FURTHERMORE, ANY DAMAGE DONE BY HIM, HIS AGENTS, OR ASSIGNS SHALL BE REPAIRED AT NO ADDITIONAL COMPENSATION.
- DIRT ON PAVEMENT - WHERE A CONTRACTOR'S EQUIPMENT IS OPERATED UPON AN EXISTING PAVEMENT USED BY TRAFFIC THE CONTRACTOR SHALL CLEAN THE PAVEMENT OF ALL DIRT AND DEBRIS AT THE END OF EACH DAY'S OPERATIONS AND AT OTHER TIMES AS DIRECTED BY THE OWNER, THE ENGINEER, OR THE GOVERNING MUNICIPALITY. THE CLEANING WORK SHALL BE CONSIDERED AS INCIDENTAL AND INCLUDED IN THE COST OF THE CONTRACTOR'S CONTRACT FOR THE WORK TO BE PERFORMED.
- DUST CONTROL - THE CONTRACTOR SHALL, IF SPECIFIED AND REQUIRED, BE RESPONSIBLE FOR THE CONTROL OF EXCESSIVE DUST DURING THE CONSTRUCTION PERIOD UNTIL THE ROAD PAVEMENT IS INSTALLED BY THE PAVING CONTRACTOR. THE REQUIREMENT FOR DUST CONTROL SHALL BE AS DIRECTED BY THE LOCAL APPROVING AUTHORITIES OR THE ENGINEER, AND SUCH DUST CONTROL (IF REQUIRED) SHALL BE PAID FOR AS AGREED UPON BY THE OWNER AND THE CONTRACTOR.
- INLET PROTECTION SHALL BE PROVIDED FOR ANY OPEN LID. FILTER FABRIC SHALL BE PLACED ACROSS THE FRAME AND THE LID DROPPED IN PLACE.
- THE EROSION CONTROL MEASURES INDICATED ON THE PLANS ARE THE MINIMUM REQUIREMENTS. ADDITIONAL MEASURES MAY BE REQUIRED, AS DIRECTED BY THE ENGINEER OR GOVERNING MUNICIPALITY.
- WHEN A STOCKPILE IS TO REMAIN IN PLACE FOR MORE THAN THREE (3) DAYS, SEDIMENT AND EROSION CONTROL MEASURES WILL BE IMPLEMENTED.
- THE CONTRACTOR SHALL MAKE AN EFFORT TO MINIMIZE USE OF HEAVY EQUIPMENT WITHIN THE DESIGNATED DRAINAGE FACILITIES.
- NO STOCKPILING WITHIN DRIP LINE OF TREES. MAINTAIN TWENTYFIVE (25) FEET MINIMUM DISTANCE BETWEEN STOCKPILES AND DRAINAGE WAY, AND SILT FENCE OR VEGETATIVE COVER ON DOWNHILL SIDE.

LEGEND

		- SANITARY MANHOLE
		- SANITARY FLOW
		- SANITARY FORCE MAIN
		- STORM MANHOLE
		- CATCH BASIN
		- INLET
		- FLARED END SECTION
		- STORM FLOW
		- WATER VALVE
		- BUFFALO BOX
		- FIRE HYDRANT
		- WATER MAIN
		- SURFACE FLOW
		- LIGHT FIXTURES
		- SIGNS
		- CONTOURS
		- UNDERGROUND PHONE LINE
		- UNDERGROUND ELECTRICAL LINE
		- UNDERGROUND GAS LINE
		- UNDERGROUND TELEVISION LINE
		- FLOOD ROUTE
		- SOIL EROSION, STRAW BALE PROTECTION FOR STRUCTURES
		- SOIL EROSION, GEOTEXTILE PROTECTION FOR STRUCTURES (IN PARKING AREAS)
		- SOIL EROSION, STRAW BALE PROTECTION FOR CULVERTS & FLARED ENDS
		- SOIL EROSION, DITCH CHECKS
		- SILT FENCE

MORRIS ENGINEERING, INC.
 5100 S. LINCOLN • SUITE 100 • LISLE, ILLINOIS 60532
 PHONE: (630) 271-0770 • EMAIL: ECIVIL.COM
 DWG LOCATION: H:\04-PH\3004\PLANS-ENG\REV-1
 DRAWN BY : CJS/CMM FLD. BK. / PG. NO. : .
 COMPLETION DATE : 4/26/06 JOB NO. : 04-PH-3004

HARLEM AVENUE MEDIAN IMPROVEMENTS			
NOTES AND STANDARD SYMBOLS			
DATE	REVISIONS	BY	SHEET
1 6/1/06	PER IDOT 5/18/06	OSC	2
2			
3			
			OF 31 SHEETS

FILENAME: H:\04-PH\3004\PLANS-ENG\REV-1\04PH-TITLE-028.dwg
 TITLE: TITLE-028
 PLOT DATE: 4/26/06 10:58:10 AM
 PLOT BY: CJS

SUMMARY OF QUANTITIES

Y003

20201200	Removal and Disposal of Unsuitable Material	CY	569
20200100	Earth Excavation	CY	200
20201500	Sub-Base Granular Material Ty B , 4"	TON	214
20700110	Porous Granular Embankment	TON	407
21101685	Topsoil Furnish and Place, 24"	SY	1,026
* A2004716	Trees, Gleditsia Triacanthos Inermis Shademaster 2"	EA	32
* C2002224	Shrubs, Cotoneaster Hessei , 2' width balled and burlapped	EA	12
28000510	Inlet Filters	EA	28
60618100	Bituminous Concrete Median	SQ FT	5,184
44000500	Combination Curb and Gutter Removal	FT	2,484
44001400	Bituminous Median Surface Removal	SY	1,706
44002010	Concrete Median Removal	FT	212
60107600	Pipe Underdrains , 4"	FT	498
60265305	Median Inlet (604101) to be adjusted	EA	3
60605100	Combination Curb and Gutter, B6.24 Abutting Existing Pavement	FT	1,098
60608523	Combination Curb and Gutter, M2.24 (Dowelled)	FT	1,386
60601805	Concrete Curb Transition	FT	160
67100100	Mobilization	LS	1
70101700	Traffic Control and Protection	LS	1
* 78005110	Epoxy Pavement Marking, 4"	LF	2,484
* D2C00918	Evergreen Juniperus Horizontalis Hughes (creeping juniper) 18" width	EA	215
* K0030415	Perennial Plants , Mixed Daylilies 1/2 gallon pots	UNIT	300
* K1003439	Landscape Fabric	SQ YD	885
XX005840	Flagstone Sidewalk Special	SQ FT	1,600
* XX005856	Mulch- Shredded Hardwood Bark , 3" depth	CU YD	80
* X0322859	Weed Control, Pre-emergent Granular Herbicide	LBS	2
* XX002928	Sign Panel - Special	EA	2

* Specialty Items

NO.	ITEM	AC TYPE	VOIDS	MAX RAP %
1	BITUMINOUS CONCRETE MEDIAN SUPERPAVE, MIX "C", N50	PG 64-22	4% @ 50 GYR	15%

NOTE:

"THE UNIT WEIGHT USED TO CALCULATE ALL BITUMINOUS SURFACE MIXTURES IS 112 LBS/SQ. YD./IN."

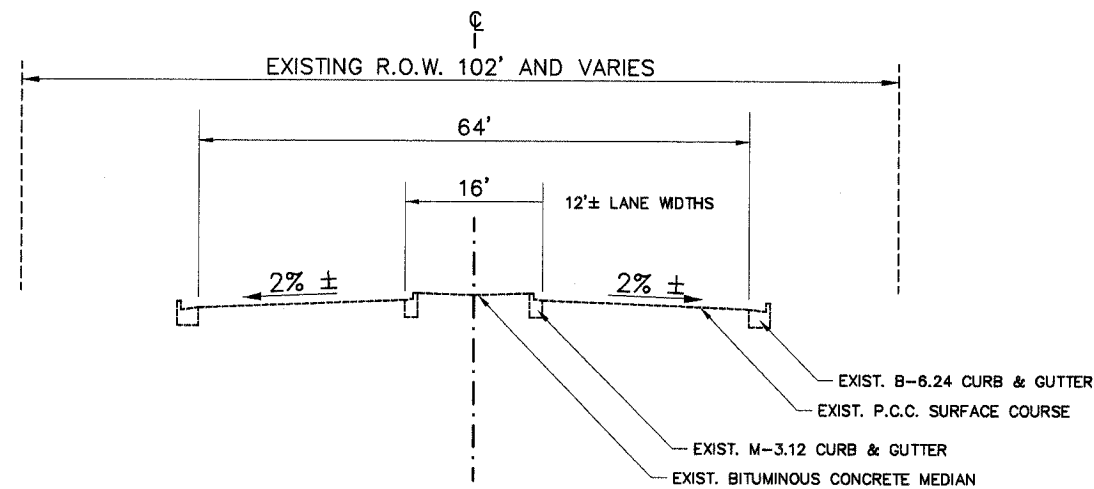
MORRIS ENGINEERING, INC.
 5100 S. LINCOLN • SUITE 100 • Lisle, ILLINOIS 60532
 PHONE: (630)271-0770 • EMAIL: ECIVIL.COM
 DWG LOCATION: H:\04-PH\3004\PLANS-ENG\REV-1
 DRAWN BY: CJS/CMM FLD. BK. / PG. NO. :
 COMPLETION DATE: 4/26/06 JOB NO.: 04-PH-3004

HARLEM AVENUE MEDIAN IMPROVEMENTS
SUMMARY OF QUANTITIES

DATE	REVISIONS	BY	SHEET
1 6/1/06	PER IDOT 5/18/06	OSC	3 OF 31 SHEETS
2 8/8/06	PER IDOT 8/8/06	OSC/cmm	
3			

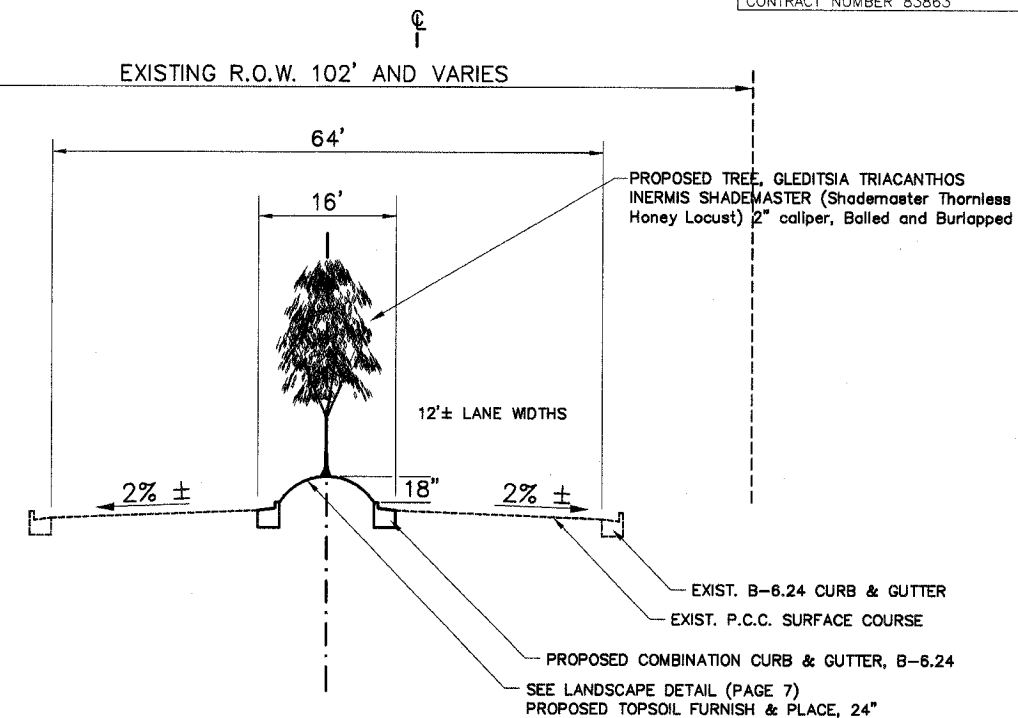
FILE DATE: 04-26-06
 FILED: H:\04-PH\3004\PLANS-ENG\REV-1\TITLE-BLK COVER.dwg

FAP RTE.	SECTION	COUNTY	TOTAL SHEETS	SHEET NO.
348	04-00040-00-LS	COOK	31	4
F.H.W.A. REG.	ILLINOIS	PROJECT:	F-0348(028)	
CONTRACT NUMBER 83863				



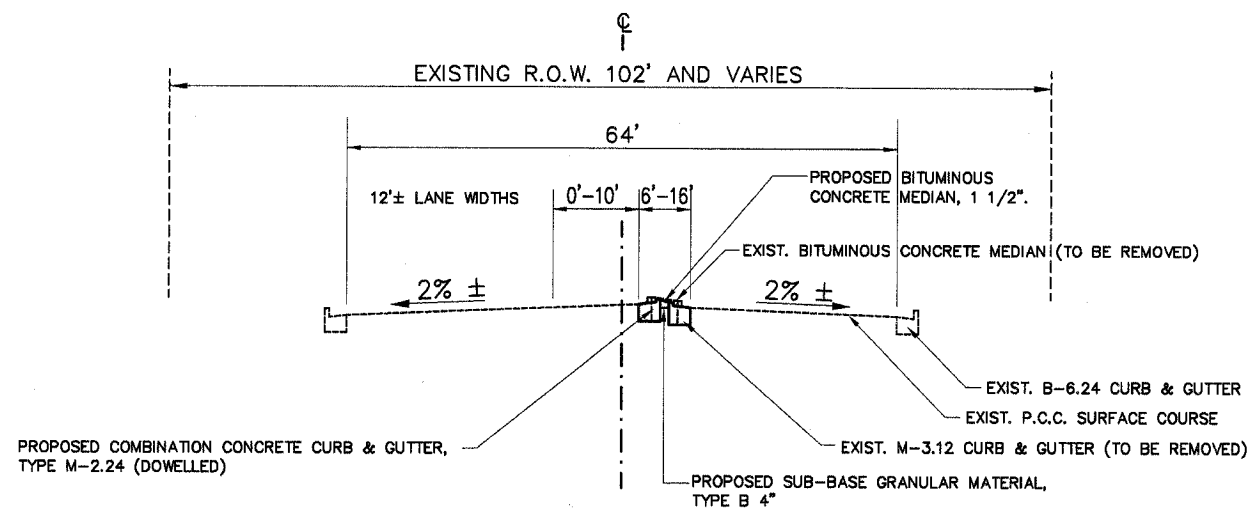
EXISTING TYPICAL SECTION - HARLEM AVENUE FULL MEDIAN

STA. 3+35 TO STA. 6+85 130th to 131st
 STA. 103+15 TO STA. 105+42 120th to 121st



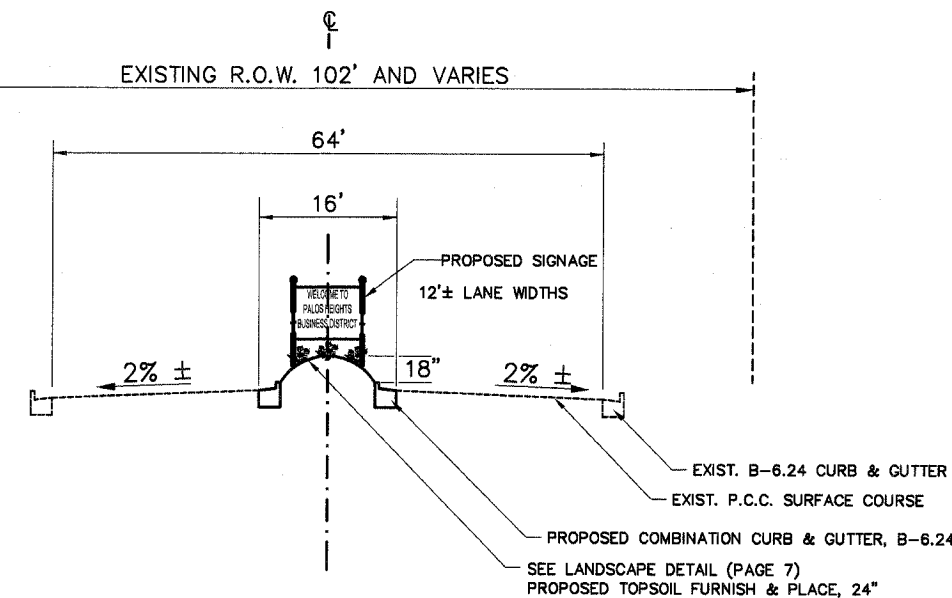
PROPOSED TYPICAL SECTION - HARLEM AVENUE FULL MEDIAN WITH LANDSCAPING

STA. 3+35 TO STA. 6+66 130th to 131st
 STA. 103+66 TO STA. 105+32 120th to 121st



PROPOSED & EXISTING TYPICAL SECTION - HARLEM AVENUE TRANSITION

STA. 1+63 TO STA. 3+34 & STA. 6+66 TO STA. 7+06 130th to 131st
 STA. 101+52 TO STA. 103+15 & STA. 103+15 TO STA. 103+66 & STA. 105+32 TO STA. 106+27 120th to 121st



PROPOSED SECTION @ WELCOME SIGN-HARLEM AVE FULL MEDIAN

STA. 3+35 TO STA. 3+39 130th to 131st
 STA. 105+24 TO STA. 105+28 120th to 121st

PROPOSED & EXISTING HARLEM AVENUE TURN LANES

STA. 0+53 TO STA. 1+63 130th to 131st
 STA. 100+50 TO STA. 101+52 120th to 121st

MORRIS ENGINEERING, INC.

5100 S. LINCOLN SUITE 100 LISLE, ILLINOIS 60532
 PHONE: (630)271-0770 EMAIL: ECIVIL.COM
 DWG LOCATION: H\04-PH\3004\PLANS-ENG\REV-1
 DRAWN BY: CJS/CM FLD. BK. / PG. NO. :
 COMPLETION DATE: 4/26/06 JOB NO.: 04-PH-3004

HARLEM AVENUE MEDIAN IMPROVEMENTS

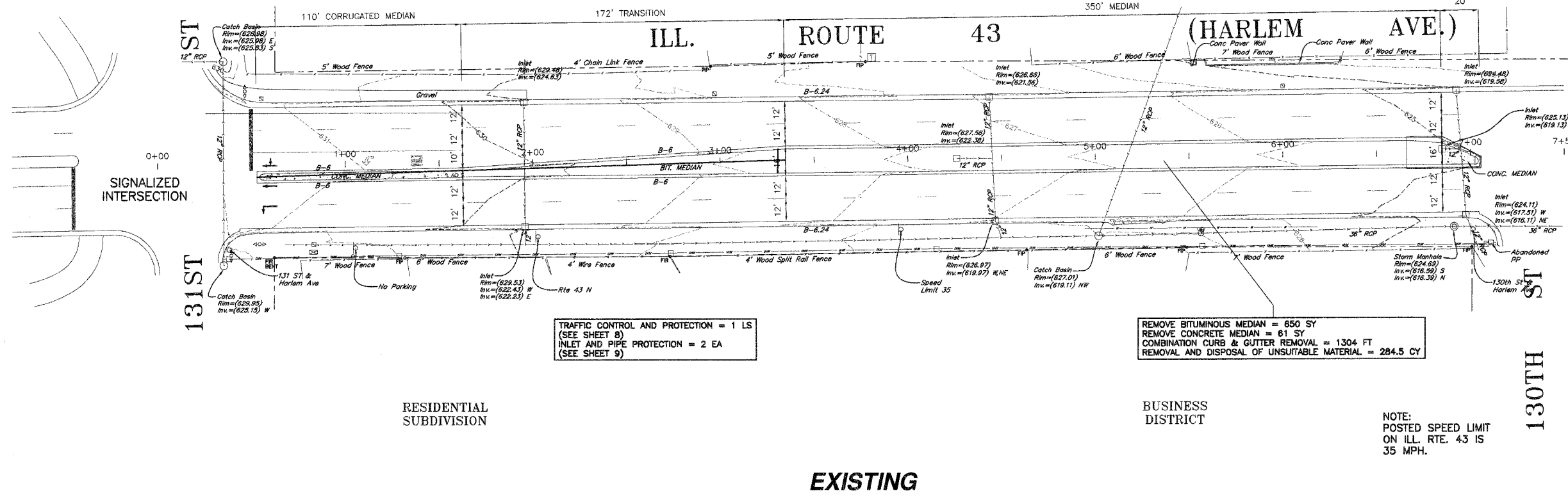
**TYPICAL ROAD CROSS SECTION
 STA.53+00 TO STA.106+00**

DATE	REVISIONS	BY	SHEET
1 6/1/06	PER IDOT 5/18/06	OSC	4 OF 31 SHEETS
2			
3			

NOT DATE: 4/26/06
 FILENAME: M:\PH\3004\PLANS-ENG\REV-1\TILE-dot.dwg

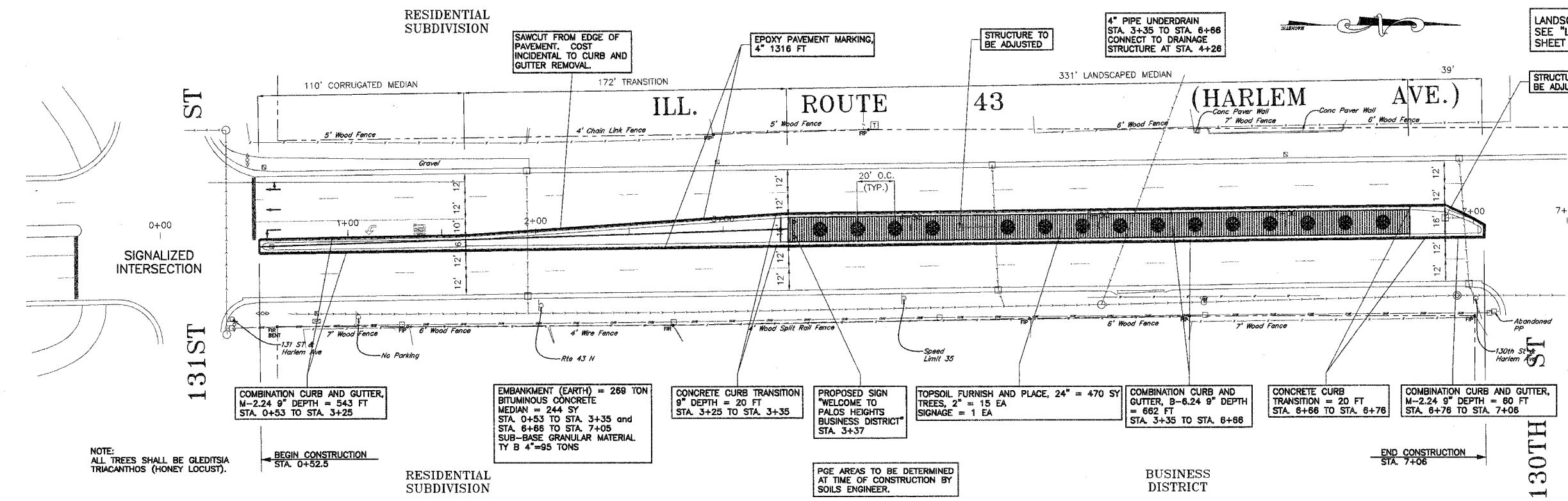
RESIDENTIAL
SUBDIVISION

FAP RTE.	SECTION	COUNTY	TOTAL SHEETS	SHEET NO.
348	04-00040-00-LS	COOK	31	5
F.H.W.A. REG.		ILLINOIS	PROJECT: F-0348(028)	
CONTRACT NUMBER 83863				



EXISTING

RESIDENTIAL
SUBDIVISION



PROPOSED

ALL COMBINATION CURB & GUTTER (B-6.24, M-2.24, TRANSITION CURB) SHALL BE TIED INTO EXISTING ADJACENT PAVEMENT WITH NO. 6 EPOXY COATED TIE BARS. ALL COSTS INCIDENTAL.

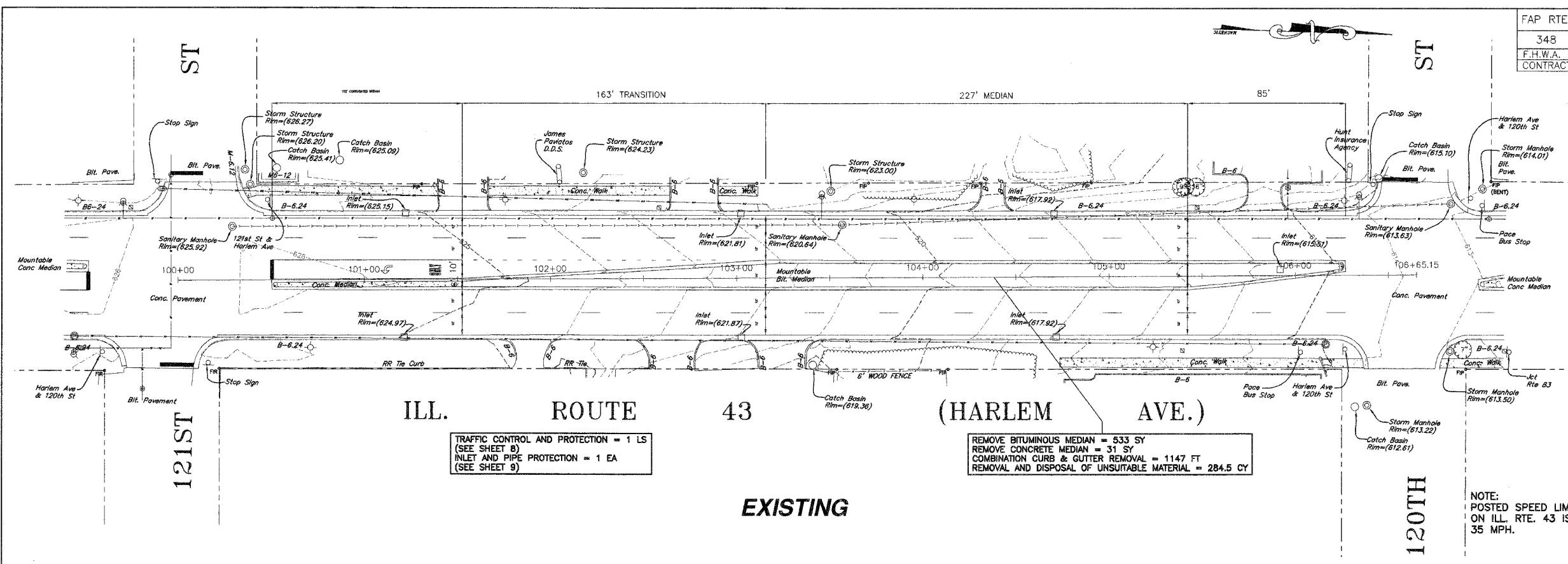
MORRIS ENGINEERING, INC.
 5100 S. LINCOLN SUITE 100 LISLE, ILLINOIS 60532
 PHONE: (630)271-0770 EMAIL: ECIVIL.COM
 DWG LOCATION: H:\04-PH\3004\PLANS-ENG\REV-1
 DRAWN BY: CJS/CMM FLD. BK. / PG. NO. :
 COMPLETION DATE: 4/26/06 JOB NO.: 04-PH-3004

HARLEM AVENUE MEDIAN IMPROVEMENTS
HARLEM AVENUE BETWEEN 130TH AND 131ST PLANS - STA. 0+00 TO STA. 7+50

DATE	REVISIONS	BY	SHEET
1 8/1/06	PER IDOT 5/18/06	OSC	5 OF 31 SHEETS
2 8/8/06	PER IDOT 8/8/06	OSC/cmm	
3			

PLT: DATE: AUG. 08, 2006
 FILENAME: H:\04-PH\3004\PLANS-ENG\REV-1\AS-130th-131st.dwg

FAP RTE.	SECTION	COUNTY	TOTAL SHEETS	SHEET NO.
348	04-00040-00-LS	COOK	31	6
F.H.W.A. REG.	ILLINOIS	PROJECT:	F-0348(028)	
CONTRACT NUMBER 83863				

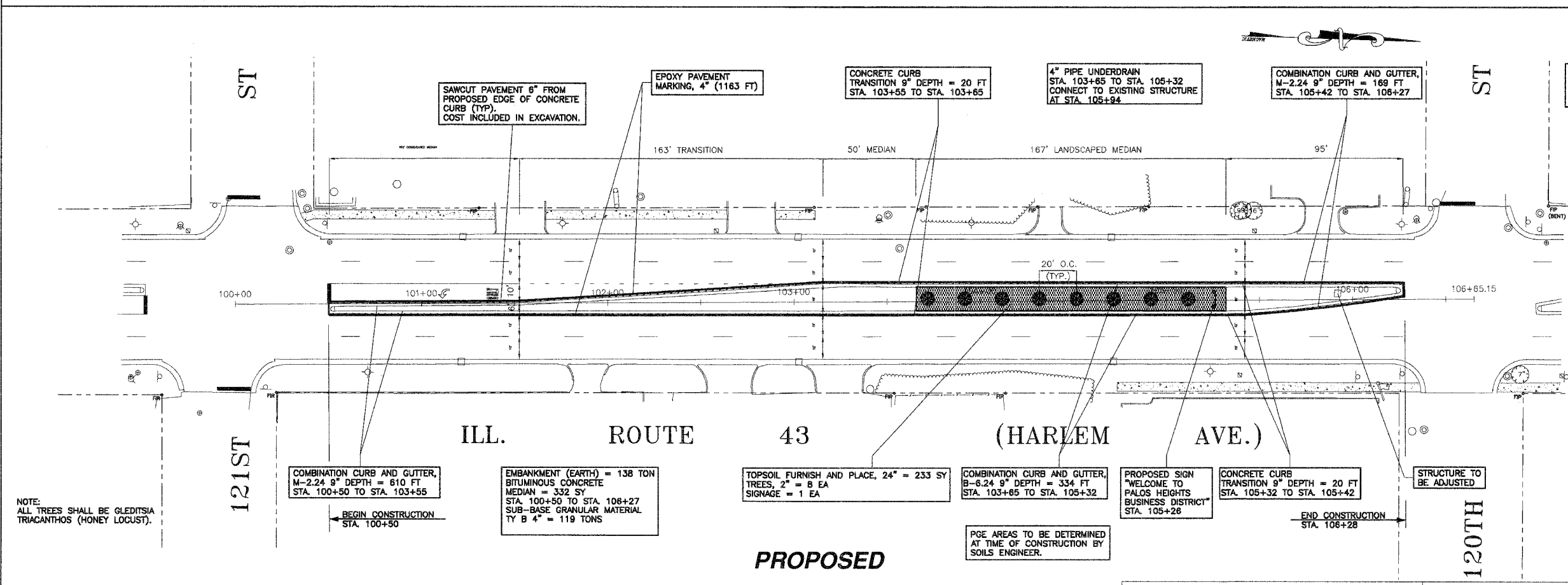


TRAFFIC CONTROL AND PROTECTION = 1 LS
(SEE SHEET 8)
INLET AND PIPE PROTECTION = 1 EA
(SEE SHEET 9)

REMOVE BITUMINOUS MEDIAN = 533 SY
REMOVE CONCRETE MEDIAN = 31 SY
COMBINATION CURB & GUTTER REMOVAL = 1147 FT
REMOVAL AND DISPOSAL OF UNSUITABLE MATERIAL = 284.5 CY

NOTE:
POSTED SPEED LIMIT
ON ILL. RTE. 43 IS
35 MPH.

EXISTING



SAWCUT PAVEMENT 6" FROM
PROPOSED EDGE OF CONCRETE
CURB (TYP).
COST INCLUDED IN EXCAVATION.

EPOXY PAVEMENT
MARKING, 4" (1163 FT)

CONCRETE CURB
TRANSITION 9" DEPTH = 20 FT
STA. 103+55 TO STA. 103+65

4" PIPE UNDERDRAIN
STA. 103+65 TO STA. 105+32
CONNECT TO EXISTING STRUCTURE
AT STA. 105+94

COMBINATION CURB AND GUTTER,
N-2.24 9" DEPTH = 169 FT
STA. 105+42 TO STA. 106+27

LANDSCAPE MAINTENANCE:
SEE "LANDSCAPE DETAIL"
SHEET 7

COMBINATION CURB AND GUTTER,
M-2.24 9" DEPTH = 610 FT
STA. 100+50 TO STA. 103+55

EMBANKMENT (EARTH) = 138 TON
BITUMINOUS CONCRETE
MEDIAN = 332 SY
STA. 100+50 TO STA. 106+27
SUB-BASE GRANULAR MATERIAL
TY B 4" = 119 TONS

TOPSOIL FURNISH AND PLACE, 24" = 233 SY
TREES, 2" = 8 EA
SIGNAGE = 1 EA

COMBINATION CURB AND GUTTER,
B-6.24 9" DEPTH = 334 FT
STA. 103+65 TO STA. 105+32

PROPOSED SIGN
"WELCOME TO
PALOS HEIGHTS
BUSINESS DISTRICT"
STA. 105+26

CONCRETE CURB
TRANSITION 9" DEPTH = 20 FT
STA. 105+32 TO STA. 105+42

STRUCTURE TO
BE ADJUSTED

NOTE:
ALL TREES SHALL BE GLEDITSIA
TRIACANTHOS (HONEY LOCUST).

BEGIN CONSTRUCTION
STA. 100+50

END CONSTRUCTION
STA. 106+28

PGE AREAS TO BE DETERMINED
AT TIME OF CONSTRUCTION BY
SOILS ENGINEER.

PROPOSED

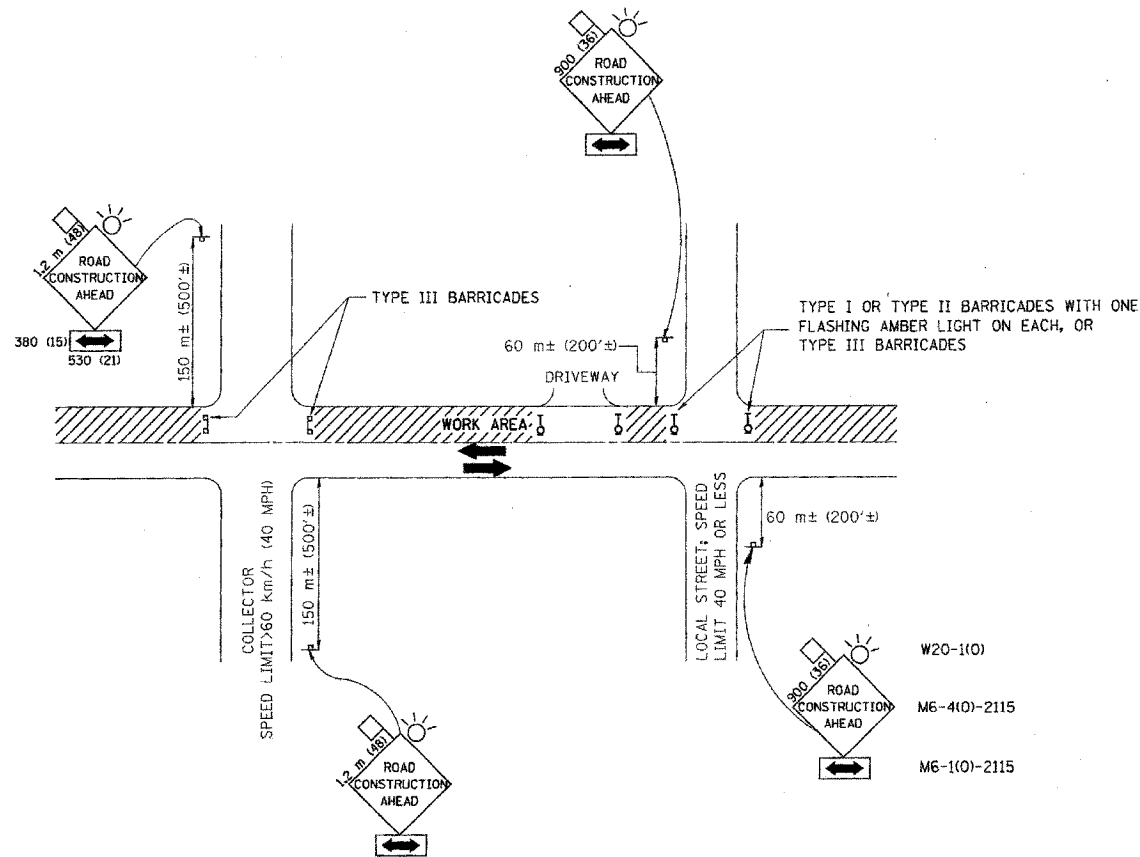
ALL COMBINATION CURB & GUTTER
(B-6.24, M-2.24, TRANSITION CURB)
SHALL BE TIED INTO EXISTING ADJACENT
PAVEMENT WITH NO. 6 EPOXY COATED
TIE BARS. ALL COSTS INCIDENTAL.

MORRIS ENGINEERING, INC.
5100 S. LINCOLN • SUITE 100 • LISLE, ILLINOIS 60532
PHONE: (630)271-0770 • EMAIL: ECIVIL.COM
DWG LOCATION: H:\04-PH\3004\PLANS-ENG\REV-1
DRAWN BY: CJS/CMM FLD. BK. / PG. NO. :
COMPLETION DATE: 4/26/06 JOB NO.: 04-PH-3004

**HARLEM AVENUE MEDIAN IMPROVEMENTS
HARLEM AVENUE BETWEEN 120TH AND 121ST
PLANS - STA. 100+00 TO STA. 106+65**

DATE	REVISIONS	BY	SHEET
1 6/1/06	PER IDOT 5/18/06	OSC	6
2 8/8/06	PER IDOT 8/8/06	OSC/cmm	
3			

FAP RTE.	SECTION	COUNTY	TOTAL SHEETS	SHEET NO.
348	04-00040-00-LS	COOK	31	8
F.H.W.A. REG.	ILLINOIS	PROJECT: F-0348(028)		
CONTRACT NUMBER 83863				



TRAFFIC CONTROL AND PROTECTION FOR SIDE ROADS, INTERSECTIONS, AND DRIVEWAYS

NOTES:

A. FOR NO LANE RESTRICTION ON THE SIDE ROAD OR DRIVEWAYS

1. SIDE ROAD WITH A SPEED LIMIT OF 60 km/h (40 MPH) OR LESS AS SHOWN ON THE DRAWING AND AS DIRECTED BY THE ENGINEER:
 - A) ONE **ROAD CONSTRUCTION AHEAD** SIGN 900x300 (36x36) WITH A FLASHER AND FLAG MOUNTED ON IT APPROXIMATELY 60 m (200') IN ADVANCE OF THE MAIN ROUTE.
 - B) THE CLOSED PORTION OF THE MAIN ROUTE SHALL BE PROTECTED BY BLOCKING WITH TYPE I, TYPE II OR TYPE III BARRICADES, 1/3 OF THE CROSS SECTION OF THE CLOSED PORTION.
2. SIDE ROAD WITH A SPEED LIMIT GREATER THAN 60 km/h (40 MPH) AS SHOWN ON THE DRAWING AND AS DIRECTED BY THE ENGINEER:
 - A) ONE **ROAD CONSTRUCTION AHEAD** SIGN 1.2 m x 1.2 m (48x48) WITH A FLASHER MOUNTED ON IT APPROXIMATELY 150 m (500') IN ADVANCE OF THE MAIN ROUTE.
 - B) THE CLOSED PORTION OF THE MAIN ROUTE SHALL BE PROTECTED BY BLOCKING WITH TYPE III BARRICADES, 1/2 OF THE CROSS SECTION OF THE CLOSED PORTION.
3. WHEN THE SIDE ROAD LIES BETWEEN THE BEGINNING OF THE MAINLINE SIGNING AND THE WORK ZONE, A SINGLE HEADED ARROW (M6-1) SHALL BE USED IN LIEU OF THE DOUBLE HEADED ARROW (M6-4).

B. FOR A LANE CLOSURE ON A SIDE ROAD OR DRIVEWAY:

USE APPLICABLE PORTIONS OF THE TYPICAL APPLICATION OF TRAFFIC CONTROL DEVICES (STD. 701501, STD. 701606 OR THE APPROPRIATE STANDARD). THE SPACING OF SIGNS AND BARRICADES SHALL BE ADJUSTED FOR FIELD CONDITIONS AS DIRECTED BY THE ENGINEER. THE DIRECTIONAL ARROW SHALL BE COVERED OR REMOVED WHEN NO LONGER CONSISTENT WITH THE SIDE ROAD LANE CLOSURE.

C. ADVANCE WARNING SIGNS ARE TO BE OMITTED ON DRIVEWAY UNLESS OTHERWISE NOTED.

D. THE TRAFFIC CONTROL AND PROTECTION FOR SIDE ROADS, INTERSECTIONS, AND DRIVEWAYS SHALL BE INCLUDED IN THE COST OF SPECIFIED TRAFFIC CONTROL STANDARDS OR ITEMS.

All dimensions are in millimeters (inches) unless otherwise shown.

REVISIONS	
NAME	DATE
LHA	6/7/89
T. RAMMACHER	09/08/94
J. OBERLE	10/18/95
A. HOUSEH	03/06/98
A. HOUSEH	10/15/98

SCALE: NONE
DATE: 08/19/99

DRAWN BY
CHECKED BY

ILLINOIS DEPARTMENT OF TRANSPORTATION TRAFFIC CONTROL AND PROTECTION FOR SIDE ROADS, INTERSECTIONS, AND DRIVEWAYS

MORRIS ENGINEERING, INC.
5100 S. LINCOLN • SUITE 100 • Lisle, ILLINOIS 60532
PHONE: (630)271-0770 • EMAIL: ECIVIL.COM

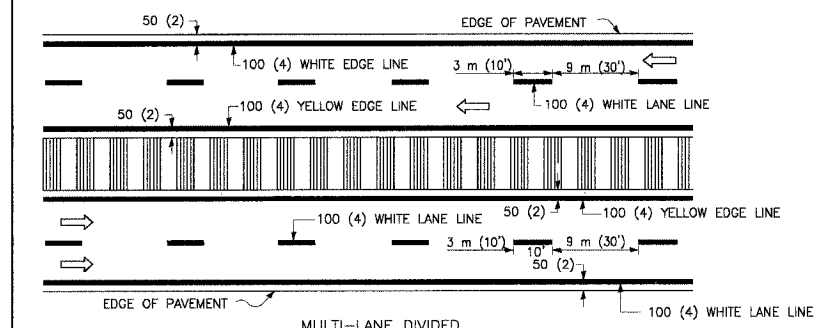
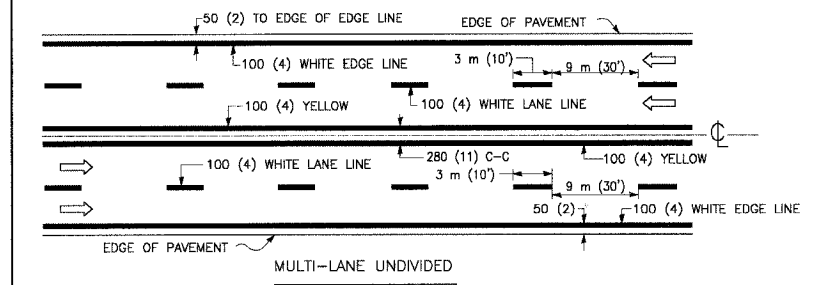
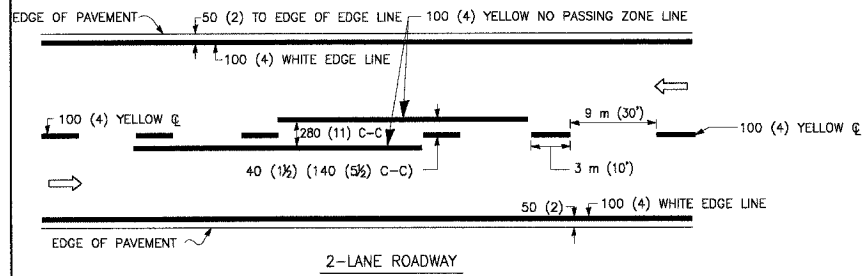
DWG LOCATION: H\04-PH\3004\PLANS-ENG\REV-1
DRAWN BY: CJS/CMM FLD. BK. / PG. NO. : .
COMPLETION DATE: 4/26/06 JOB NO. : 04-PH-3004

HARLEM AVENUE MEDIAN IMPROVEMENTS

DETAIL SHEET

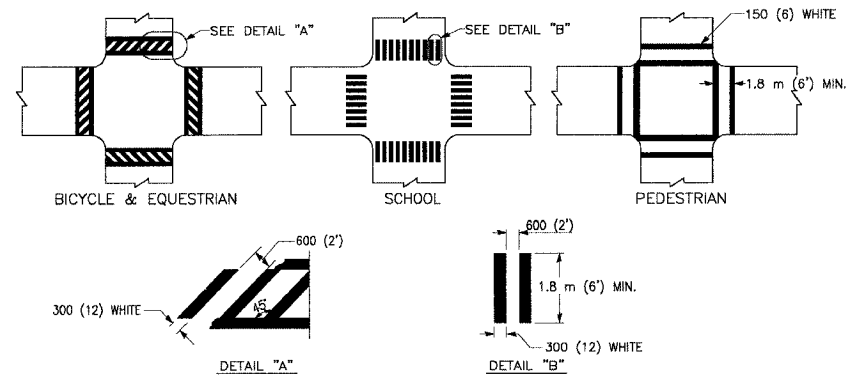
DATE	REVISIONS	BY	SHEET
1 6/1/06	PER IDOT 5/18/06	OSC	8 OF 31 SHEETS
2			
3			

FAP RTE.	SECTION	COUNTY	TOTAL SHEETS	SHEET NO.
348	04-00040-00-LS	COOK	31	9
F.H.W.A. REG.	ILLINOIS	PROJECT: F-0348(028)		
CONTRACT NUMBER 83863				

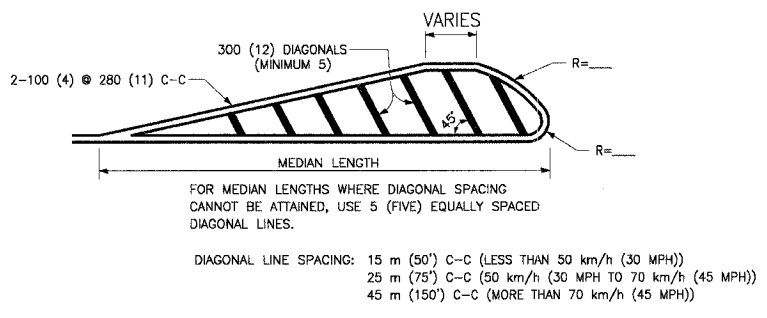
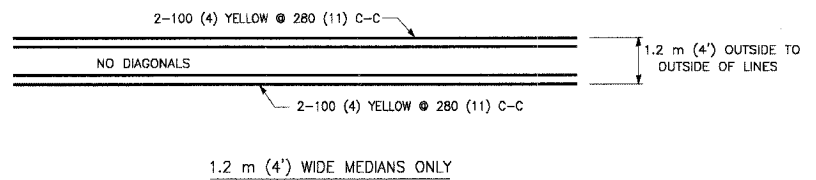


NOTE: MEDIANS WITH BARRIER CURB DO NOT REQUIRE AN EDGE LINE

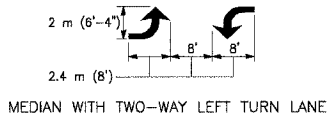
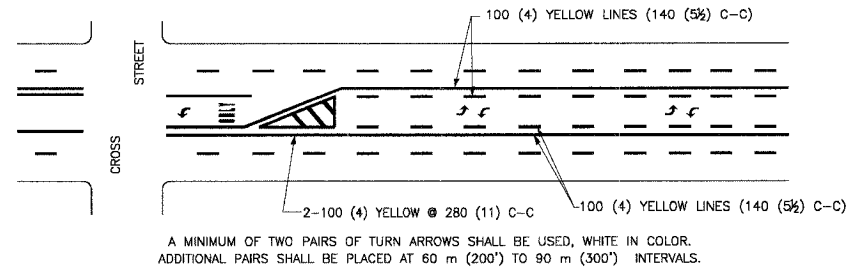
TYPICAL LANE AND EDGE LINE MARKING



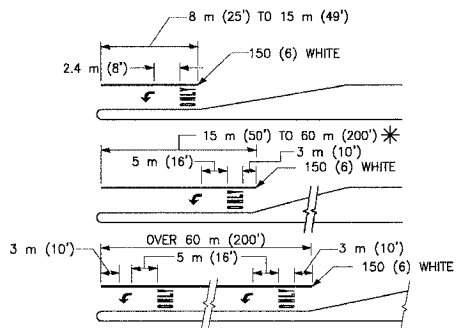
TYPICAL CROSSWALK MARKING



MEDIANS OVER 1.2 m (4') WIDE



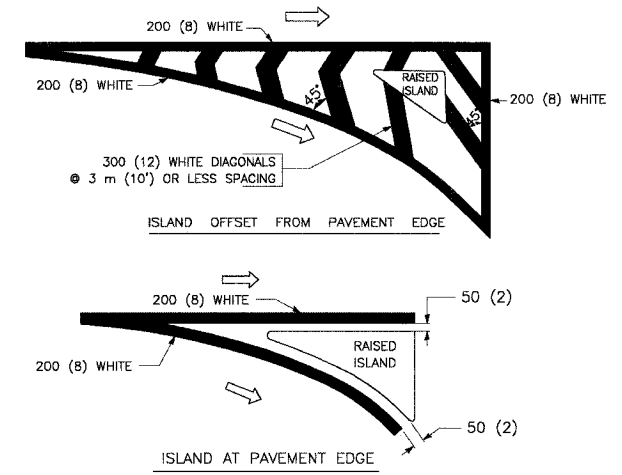
TYPICAL PAINTED MEDIAN MARKING



FULL SIZE LETTERS 2.4 M (8") AND ARROWS SHALL BE USED.
* AREA = 1.5 m² (15.6 SQ. FT.) ■■■ AREA = 1.9 m² (20.8 SQ. FT.)
* TURN LANES IN EXCESS OF 120 m (400') IN LENGTH MAY HAVE AN ADDITIONAL SET OF ARROW - "ONLY" INSTALLED MIDWAY BETWEEN THE OTHER TWO SETS OF ARROW - "ONLY".

TYPICAL LEFT (OR RIGHT) TURN LANE

TYPICAL TURN LANE MARKING



MORRIS ENGINEERING, INC.
5100 S. LINCOLN • SUITE 100 • LISLE, ILLINOIS 60532
PHONE: (630)271-0770 • EMAIL: ECIVIL.COM
DWG LOCATION: H:\04-PH\3004\PLANS-ENG\REV-1
DRAWN BY: CJS/CMM FLD. BK. / PG. NO. :
COMPLETION DATE: 4/26/06 JOB NO.: 04-PH-3004

HARLEM AVENUE MEDIAN IMPROVEMENTS			
DETAIL SHEET			
DATE	REVISIONS	BY	SHEET
6/1/06	PER IDOT 5/18/06	OSC	9
2			
3			
			OF 31 SHEETS

TYPICAL ISLAND MARKING

TYPE OF MARKING	WIDTH OF LINE	PATTERN	COLOR	SPACING / REMARKS
CENTERLINE ON 2 LANE PAVEMENT	100 (4)	SKIP-DASH	YELLOW	3 m (10') LINE WITH 9 m (30') SPACE
CENTERLINE ON MULTI-LANE UNDIVIDED PAVEMENT	2 @ 100 (4)	SOLID	YELLOW	280 (11) C-C
NO PASSING ZONE LINES: FOR ONE DIRECTION FOR BOTH DIRECTIONS	100 (4) 2 @ 100 (4)	SOLID SOLID	YELLOW YELLOW	140 (5 1/2) C-C FROM SKIP-DASH CENTERLINE 280 (11) C-C OMIT SKIP-DASH CENTERLINE BETWEEN
LANE LINES	100 (4) 125 (5) ON FREEWAYS	SKIP-DASH SKIP-DASH	WHITE WHITE	3 m (10') LINE WITH 9 m (30') SPACE
DOTTED LINES (EXTENSIONS OF CENTER, LANE OR TURN LANE MARKINGS)	SAME AS LINE BEING EXTENDED	SKIP-DASH	SAME AS LINE BEING EXTENDED	600 (2') LINE WITH 1.8 m (6') SPACE
EDGE LINES	100 (4)	SOLID	YELLOW-LEFT WHITE-RIGHT	OUTLINE MOUNTABLE MEDIANS IN YELLOW; EDGE LINES ARE NOT USED NEXT TO BARRIER CURB
TURN LANE MARKINGS	150 (6) LINE; FULL SIZE LETTERS & SYMBOLS (2.4 m (8'))	SOLID	WHITE	SEE TYPICAL TURN LANE MARKING DETAIL
TWO WAY LEFT TURN MARKING	2 @ 100 (4) EACH DIRECTION 2.4 m (8') LEFT ARROW	SKIP-DASH AND SOLID IN PAIRS	YELLOW WHITE	3 m (10') LINE WITH 9 m (30') SPACE FOR SKIP-DASH; 140 (5 1/2) C-C BETWEEN SOLID LINE AND SKIP-DASH LINE SEE TYPICAL TWO-WAY LEFT TURN MARKING DETAIL
CROSSWALK LINES (PEDESTRIAN) A. DIAGONALS (BIKE & EQUESTRIAN) B. LONGITUDINAL BARS (SCHOOL)	2 @ 150 (6) 300 (12) @ 45° 600 (24) @ 90°	SOLID SOLID SOLID	WHITE WHITE WHITE	NOT LESS THAN 1.8 m (6') APART 600 (2') APART 600 (2') APART SEE TYPICAL CROSSWALK MARKING DETAILS.
STOP LINES	600 (24)	SOLID	WHITE	PLACE 1.2 m (4') IN ADVANCE OF AND PARALLEL TO CROSSWALK, IF PRESENT. OTHERWISE, PLACE AT DESIRED STOPPING POINT.
PAINTED MEDIANS	2 @ 100 (4) WITH 300 (12) DIAGONALS @ 45° NO DIAGONALS USED FOR 1.2 m (4') WIDE MEDIANS	SOLID	YELLOW: TWO WAY TRAFFIC WHITE: ONE WAY TRAFFIC	280 (11) C-C FOR THE DOUBLE LINE SEE TYPICAL PAINTED MEDIAN MARKING.
SCORE MARKING AND CHANNELIZING LINES	200 (8) WITH 300 (12) DIAGONALS @ 45°	SOLID	WHITE	DIAGONALS: 4.5 m (15') C-C (LESS THAN 50 km/h (30 MPH)) 6 m (20') C-C (50 km/h (30 MPH) TO 70 km/h (45 MPH)) 9 m (30') C-C (OVER 70 km/h (45 MPH))
RAILROAD CROSSING	600 (24) TRANSVERSE LINES; "RR" IS 1.8 m (6") LETTERS; 400 (16) LINE FOR "X"	SOLID	WHITE	SEE STATE STANDARD 780001 AREA OF: "R"=0.40 m ² (4.3 SQ. FT.) EACH "X"=5.0 m ² (54.0 SQ. FT.)
SHOULDER DIAGONALS	300 (12) @ 45°	SOLID	WHITE - RIGHT YELLOW - LEFT	15 m (50') C-C (LESS THAN 50 km/h (30 MPH)) 25 m (75') C-C (50 km/h (30 MPH) TO 70 km/h (45 MPH)) 45 m (150') C-C (OVER 70 km/h (45 MPH))

FOR FURTHER DETAILS ON PAVEMENT MARKING REFER TO STANDARD SPECIFICATIONS FOR ROAD AND BRIDGE CONSTRUCTION ADOPTED JANUARY 1, 1997 AND STATE STANDARD 780001.

All dimensions are in millimeters (inches) unless otherwise shown.

ILLINOIS DEPARTMENT OF TRANSPORTATION

**DISTRICT ONE
TYPICAL PAVEMENT
MARKINGS**

REVISIONS	
NAME	DATE
EVERS	03-19-90
T. RAMMACHER	10-27-94
ALEX HOUSEH	10-09-96
ALEX HOUSEH	10-17-96

SCALE: NONE
DATE 08/19/99

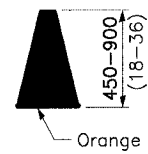
DRAWN BY CADD
CHECKED BY

MORRIS ENGINEERING, INC.
5100 S. LINCOLN SUITE 100 • LISLE, ILLINOIS 60532
PHONE: (630)271-0770 • EMAIL: ECIVIL.COM
DWG LOCATION: H:\04-PH\3004\PLANS-ENG\REV-1
DRAWN BY: CJS/CMM FLD. BK. / PG. NO.: . . .
COMPLETION DATE: 4/26/06 JOB NO.: 04-PH-3004

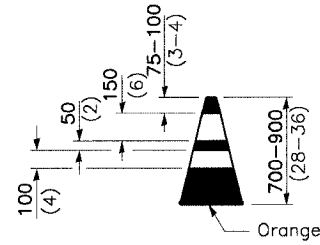
HARLEM AVENUE MEDIAN IMPROVEMENTS

DETAIL SHEET

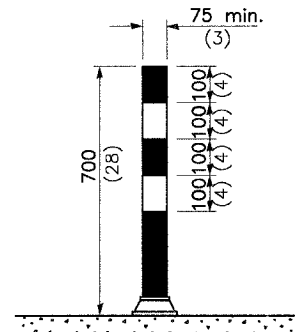
DATE	REVISIONS	BY	SHEET
1 6/1/06	PER IDOT 5/18/06	OSC	10 OF 31 SHEETS
2			
3			



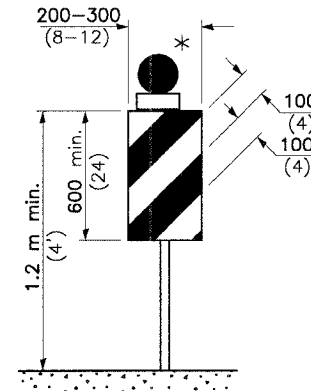
CONE



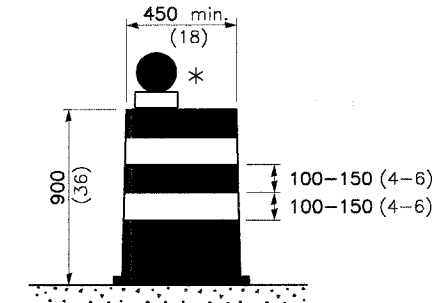
REFLECTORIZED CONE



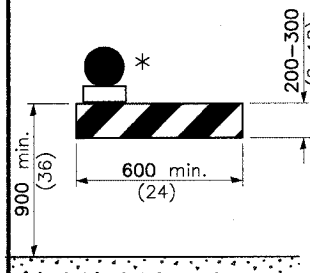
FLEXIBLE DELINEATOR



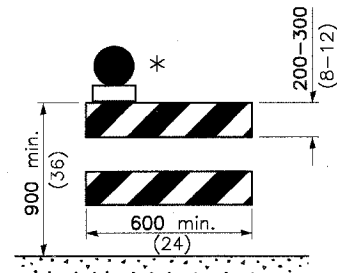
VERTICAL PANEL
POST MOUNTED



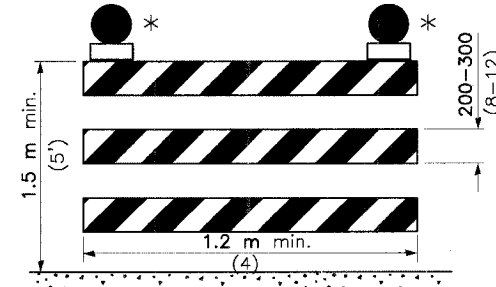
DRUM



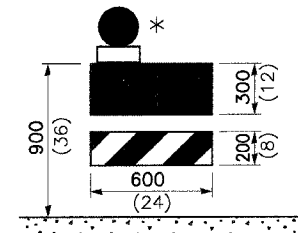
TYPE I BARRICADE



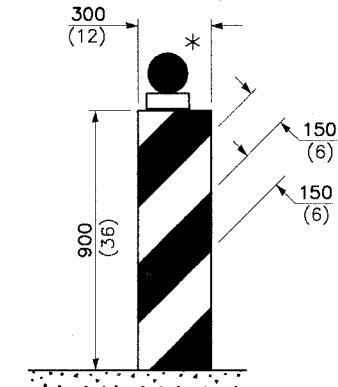
TYPE II BARRICADE



TYPE III BARRICADE



DIRECTION INDICATOR
BARRICADE



VERTICAL BARRICADE

GENERAL NOTES
All heights shown shall be measured above the pavement surface.

All dimensions are in millimeters (inches) unless otherwise shown.

* Warning lights (if required)

Illinois Department of Transportation	
APPROVED	April 1, 2006
ENGINEER OF OPERATIONS	
APPROVED	April 1, 2006
ENGINEER OF DESIGN AND ENVIRONMENT	

DATE	REVISIONS	TRAFFIC CONTROL DEVICES (Sheet 1 of 3) STANDARD 702001-06
4-1-06	Revised vert. barricade, post mounted signs, and signs on temp. supports.	
1-1-05	Added note to work limit signing and re-added Type I barricade.	

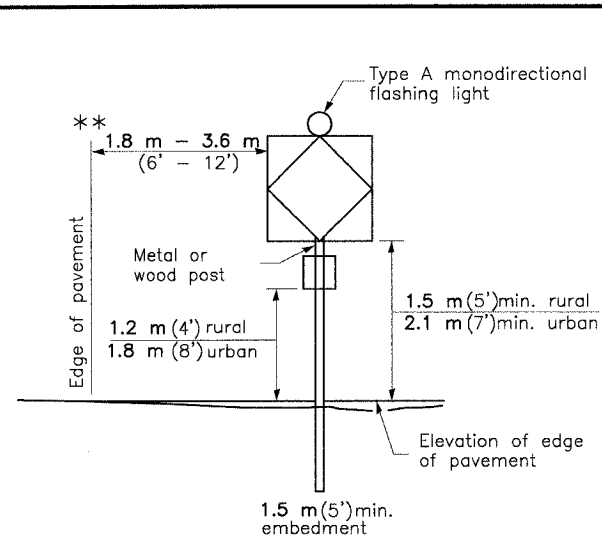
MORRIS ENGINEERING, INC.
 5100 S. LINCOLN • SUITE 100 • LISLE, ILLINOIS 60532
 PHONE: (630)271-0770 • EMAIL: ECIVIL.COM
 DWG LOCATION: H:\04-PH\3004\PLANS-ENG\REV-1
 DRAWN BY: CJS/CMM FLD. BK. / PG. NO.:
 COMPLETION DATE: 4/26/06 JOB NO.: 04-PH-3004

HARLEM AVENUE MEDIAN IMPROVEMENTS

DETAIL SHEET

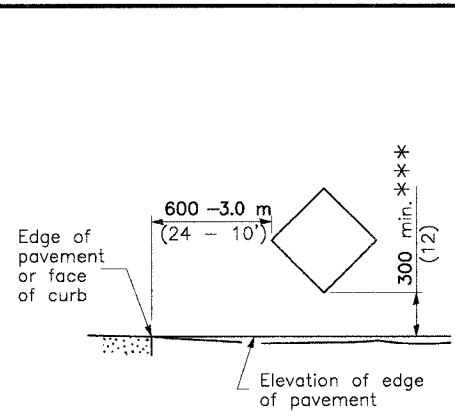
DATE	REVISIONS	BY	SHEET
1 6/1/06	PER IDOT 5/18/06	OSC	11 OF 31 SHEETS
2			
3			

FAP RTE.	SECTION	COUNTY	TOTAL SHEETS	SHEET NO.
348	04-00040-00-LS	COOK	31	12
F.H.W.A. REG.	ILLINOIS	PROJECT:	F-0348(028)	
CONTRACT NUMBER 83863				



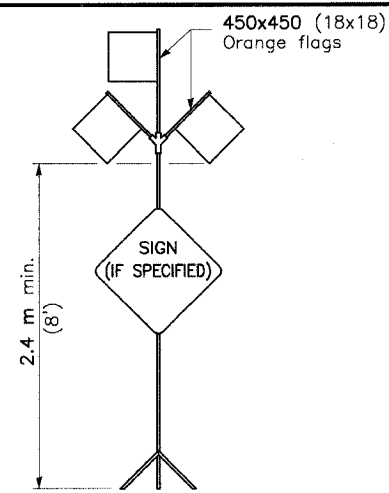
POST MOUNTED SIGNS

** When curb or paved shoulder are present this dimension shall be 600 (24) to the face of curb or 1.8 m (6') to the outside edge of the paved shoulder.



SIGNS ON TEMPORARY SUPPORTS

*** When work operations exceed four days, this dimension shall be 1.5 m (5') min.



HIGH LEVEL WARNING DEVICE



G20-1(0)-6036 G20-2a(0)-6024

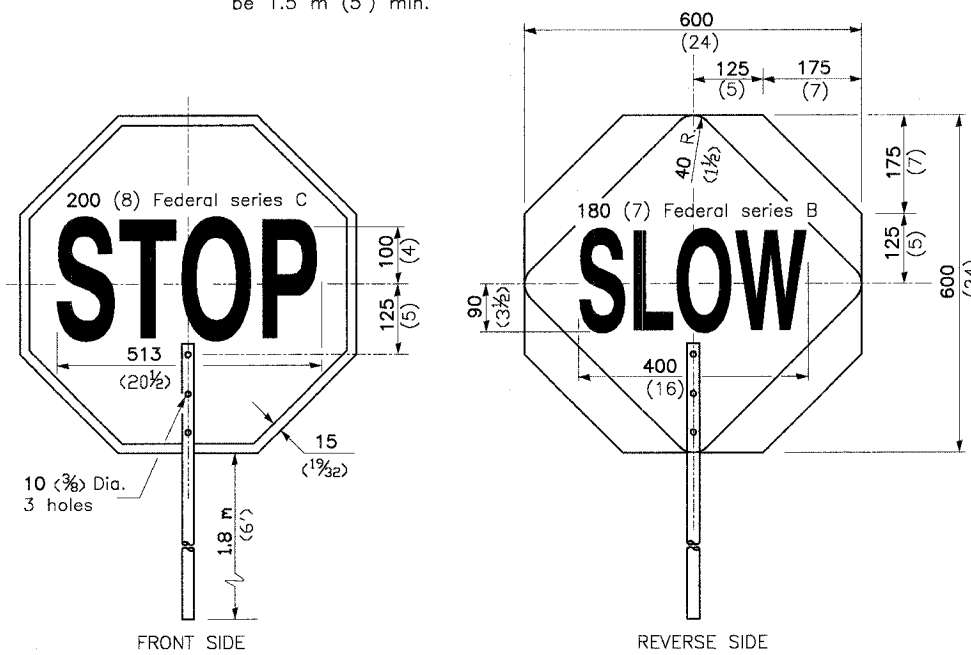
This signing is required for all projects 3200 m (2 miles) or more in length.

ROAD CONSTRUCTION NEXT X MILES sign shall be placed 150 m (500') in advance of project limits.

END CONSTRUCTION sign shall be erected at the end of the job unless another job is within 3200 m (2 miles).

Dual sign displays shall be utilized on multi-lane highways.

WORK LIMIT SIGNING



FLAGGER TRAFFIC CONTROL SIGN

All dimensions are in millimeters (inches) unless otherwise shown.

TRAFFIC CONTROL DEVICES

(Sheet 2 of 3)

STANDARD 702001-06

Illinois Department of Transportation	
APPROVED	April 1, 2006
ENGINEER OF OPERATIONS	
APPROVED	April 1, 2006
ENGINEER OF DESIGN AND ENVIRONMENT	

MORRIS ENGINEERING, INC.

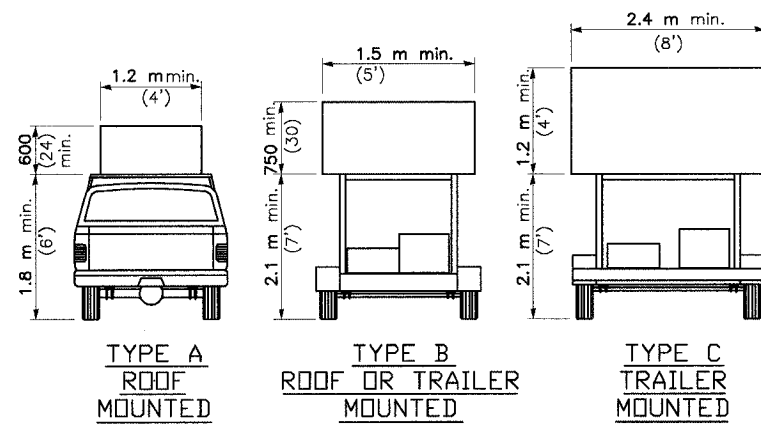
5100 S. LINCOLN SUITE 100 • Lisle, ILLINOIS 60532
 PHONE: (630)271-0770 • EMAIL: ECIVIL.COM
 DWG LOCATION: H:\04-PH\3004\PLANS-ENG\REV-1
 DRAWN BY: CJS/CMM FLD. BK. / PG. NO. :
 COMPLETION DATE: 4/26/06 JOB NO.: 04-PH-3004

HARLEM AVENUE MEDIAN IMPROVEMENTS

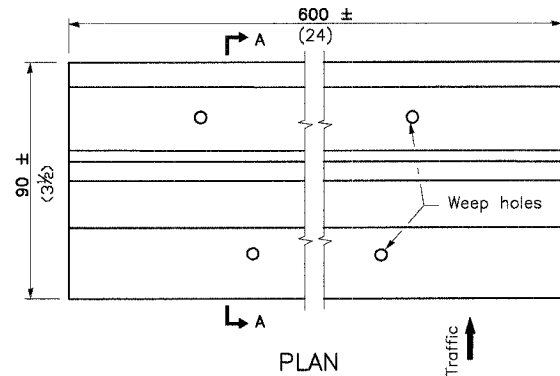
DETAIL SHEET

DATE	REVISIONS	BY	SHEET
6/1/06	PER IDOT 5/18/06	OSC	12
			OF 31 SHEETS

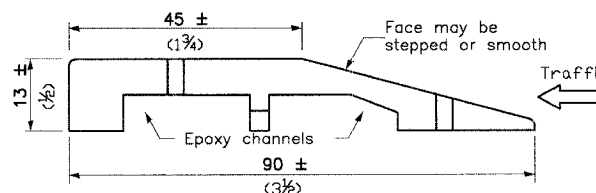
FAP RTE.	SECTION	COUNTY	TOTAL SHEETS	SHEET NO.
348	04-00040-00-LS	COOK	31	13
F.H.W.A. REG.	ILLINOIS	PROJECT:	F-0348(028)	
CONTRACT NUMBER 83863				



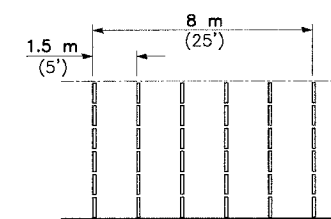
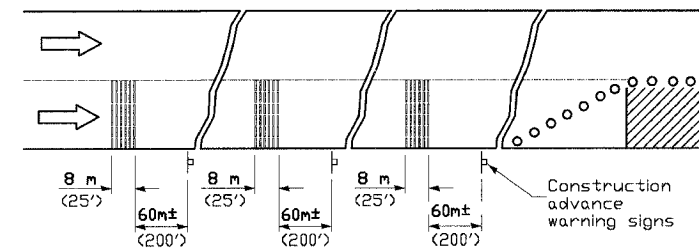
ARROW BOARDS



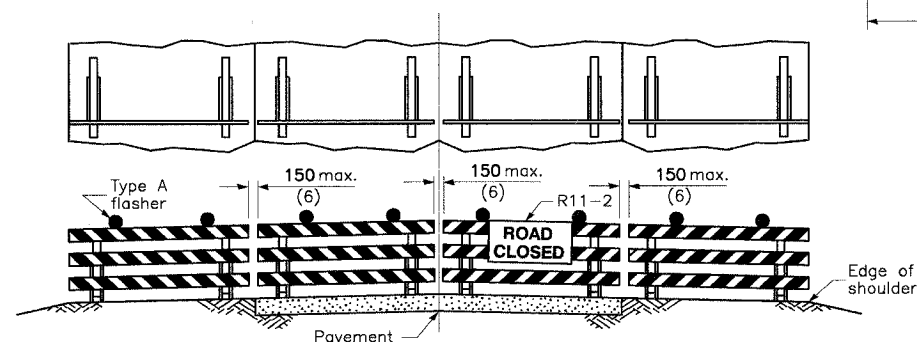
PLAN



SECTION A-A



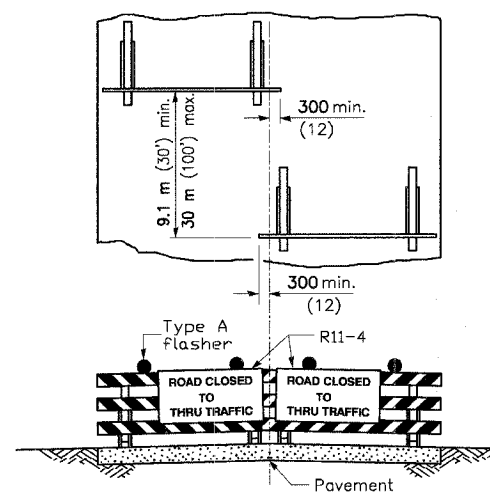
TYPICAL INSTALLATION



ROAD CLOSED TO ALL TRAFFIC

Reflectorized striping may be omitted on the back side of the barricades. If a Type III barricade with an attached sign panel which meets NCHRP 350 is not available, the sign may be mounted on an NCHRP 350 temporary sign support directly in front of the barricade.

TYPICAL APPLICATIONS OF TYPE III BARRICADES CLOSING A ROAD



TEMPORARY RUMBLE STRIPS

ROAD CLOSED TO THRU TRAFFIC
 Reflectorized striping shall appear on both sides of the barricades. If a Type III barricade with an attached sign panel which meets NCHRP 350 is not available, the signs may be mounted on NCHRP 350 temporary sign supports directly in front of the barricade.

All dimensions are in millimeters (inches) unless otherwise shown.

TRAFFIC CONTROL DEVICES

(Sheet 3 of 3)

STANDARD 702001-06

Illinois Department of Transportation	
APPROVED	April 1, 2006
<i>[Signature]</i>	
ENGINEER OF OPERATIONS	
APPROVED	April 1, 2006
<i>[Signature]</i>	
ENGINEER OF DESIGN AND ENVIRONMENT	

MORRIS ENGINEERING, INC.

5100 S. LINCOLN • SUITE 100 • LISLE, ILLINOIS 60532
 PHONE: (630)271-0770 • EMAIL: ECIVIL.COM
 DWG LOCATION: H:\04-PH\3004\PLANS-ENG\REV-1
 DRAWN BY: CJS/CMM FLD. BK. / PG. NO. :
 COMPLETION DATE: 4/26/06 JOB NO.: 04-PH-3004

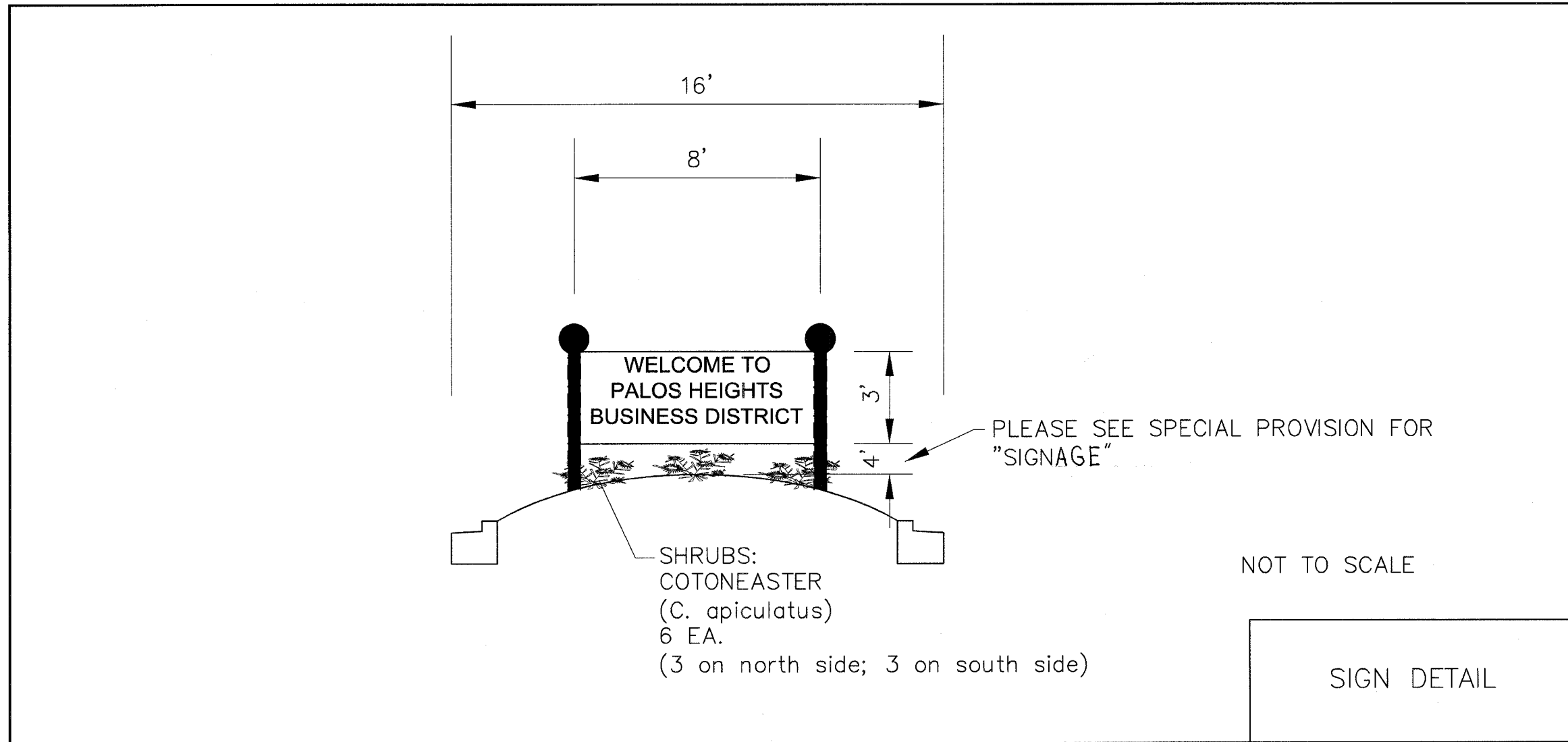
HARLEM AVENUE MEDIAN IMPROVEMENTS

DETAIL SHEET

DATE	REVISIONS	BY	SHEET
6/1/06	PER IDOT 5/18/06	OSC	13

OF 31 SHEETS

FAP RTE.	SECTION	COUNTY	TOTAL SHEETS	SHEET NO.
348	04-00040-00-LS	COOK	31	14
F.H.W.A. REG.	ILLINOIS	PROJECT:	F-0348(028)	
CONTRACT NUMBER 83863				



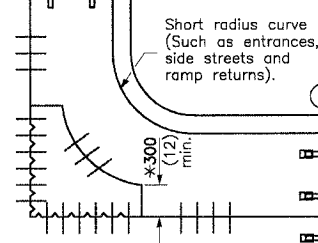
MORRIS
ENGINEERING, INC.
 5100 S. LINCOLN • SUITE 100 • LISLE, ILLINOIS 60532
 PHONE: (630)271-0770 • EMAIL: ECIVIL.COM
 DWG LOCATION: H:\04-PH\3004\PLANS-ENG\REV-1
 DRAWN BY: CJS/CMM FLD. BK. / PG. NO.:
 COMPLETION DATE: 4/25/06 JOB NO.: 04-PH-3004

HARLEM AVENUE MEDIAN IMPROVEMENTS

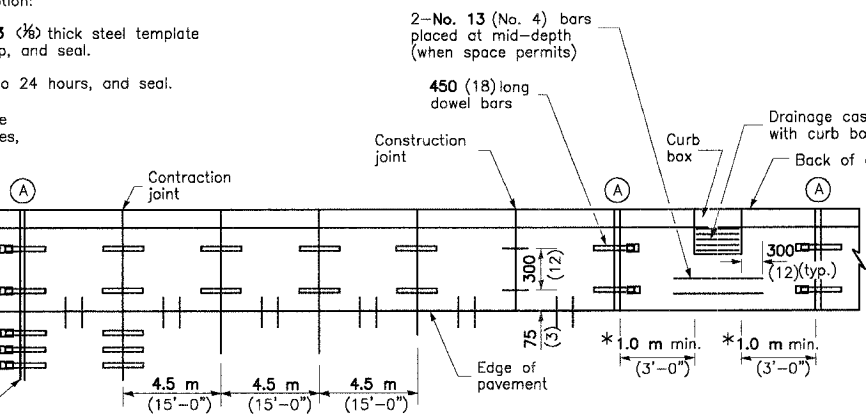
DETAIL SHEET

DATE	REVISIONS	BY	SHEET
1 6/1/06	PER IDOT 5/18/06	OSC	14 OF 31 SHEETS
2			
3			

Doweled contraction joint (typ.)
(Placed in prolongation with pavement joints)
construction option:
1. Form with 3 (3/8) thick steel template
50 (2) deep, and seal.
2. Saw at 4 to 24 hours, and seal.

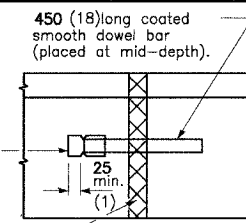
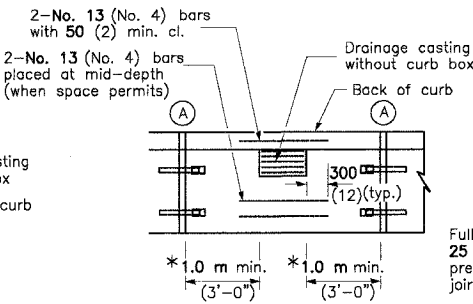


Pavement expansion joint with (or without) dowels

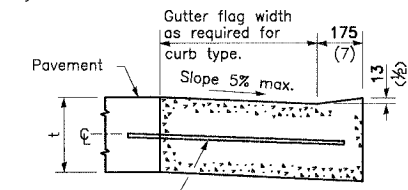


PLAN

ADJACENT TO PCC PAVEMENT OR PCC BASE COURSE



DETAIL A
EXPANSION JOINT



DEPRESSED CURB ADJACENT
TO CURB RAMP ACCESSIBLE
TO THE DISABLED
GENERAL NOTES

The bottom slope of combination curb and gutter constructed adjacent to pcc pavement shall be the same slope as the subbase or 6% when subbase is omitted.

t = Thickness of pavement.

Longitudinal joint tie bars shall be No. 20 (No. 6) at 600 mm (24") centers in accordance with details for longitudinal construction joint shown on Standard 420001.

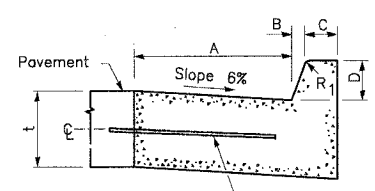
A minimum clearance of 50 mm (2") between the end of the tie bar and the back of the curb shall be maintained.

All dimensions are in millimeters (inches) unless otherwise shown.

CONCRETE CURB TYPE B
AND COMBINATION
CONCRETE CURB AND GUTTER

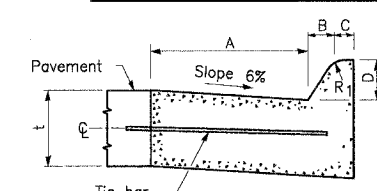
(Sheet 1 of 2)

STANDARD 606001-02



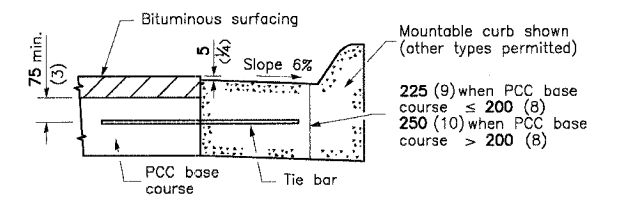
BARRIER CURB

TABLE OF DIMENSIONS BARRIER CURB					
TYPE	A	B	C	D	R ₁
B-15.30 (B-6.12)	300 (12)	25 (1)	150 (6)	150 (6)	25 (1)
B-15.45 (B-6.18)	450 (18)	25 (1)	150 (6)	150 (6)	25 (1)
B-15.60 (B-6.24)	600 (24)	25 (1)	150 (6)	150 (6)	25 (1)
B-22.30 (B-9.12)	300 (12)	50 (2)	125 (5)	225 (9)	25 (1)
B-22.45 (B-9.18)	450 (18)	50 (2)	125 (5)	225 (9)	25 (1)
B-22.60 (B-9.24)	600 (24)	50 (2)	125 (5)	225 (9)	25 (1)

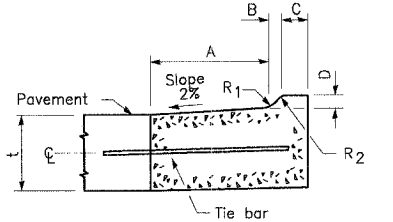


MOUNTABLE CURB

TABLE OF DIMENSIONS MOUNTABLE CURB							
TYPE	A	B	C	D	R ₁	R ₂	
M-5.15 (M-2.06)	150 (6)	50 (2)	100 (4)	50 (2)	75 (3)	50 (2)	
M-5.30 (M-2.12)	300 (12)	50 (2)	100 (4)	50 (2)	75 (3)	50 (2)	
M-10.15 (M-4.06)	150 (6)	100 (4)	75 (3)	100 (4)	75 (3)	NA	
M-10.30 (M-4.12)	300 (12)	100 (4)	75 (3)	100 (4)	75 (3)	NA	
M-10.45 (M-4.18)	450 (18)	100 (4)	75 (3)	100 (4)	75 (3)	NA	
M-10.60 (M-4.24)	600 (24)	100 (4)	75 (3)	100 (4)	75 (3)	NA	
M-15.15 (M-6.06)	150 (6)	150 (6)	50 (2)	150 (6)	50 (2)	NA	
M-15.30 (M-6.12)	300 (12)	150 (6)	50 (2)	150 (6)	50 (2)	NA	
M-15.45 (M-6.18)	450 (18)	150 (6)	50 (2)	150 (6)	50 (2)	NA	
M-15.60 (M-6.24)	600 (24)	150 (6)	50 (2)	150 (6)	50 (2)	NA	



ADJACENT TO PCC BASE COURSE
AND BITUMINOUS SURFACING



M-5.15 (M-2.06) and M-5.30 (M-2.12)

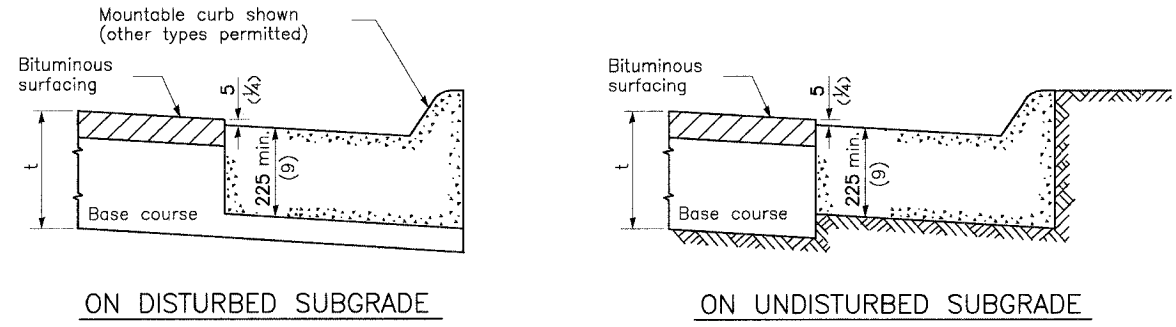
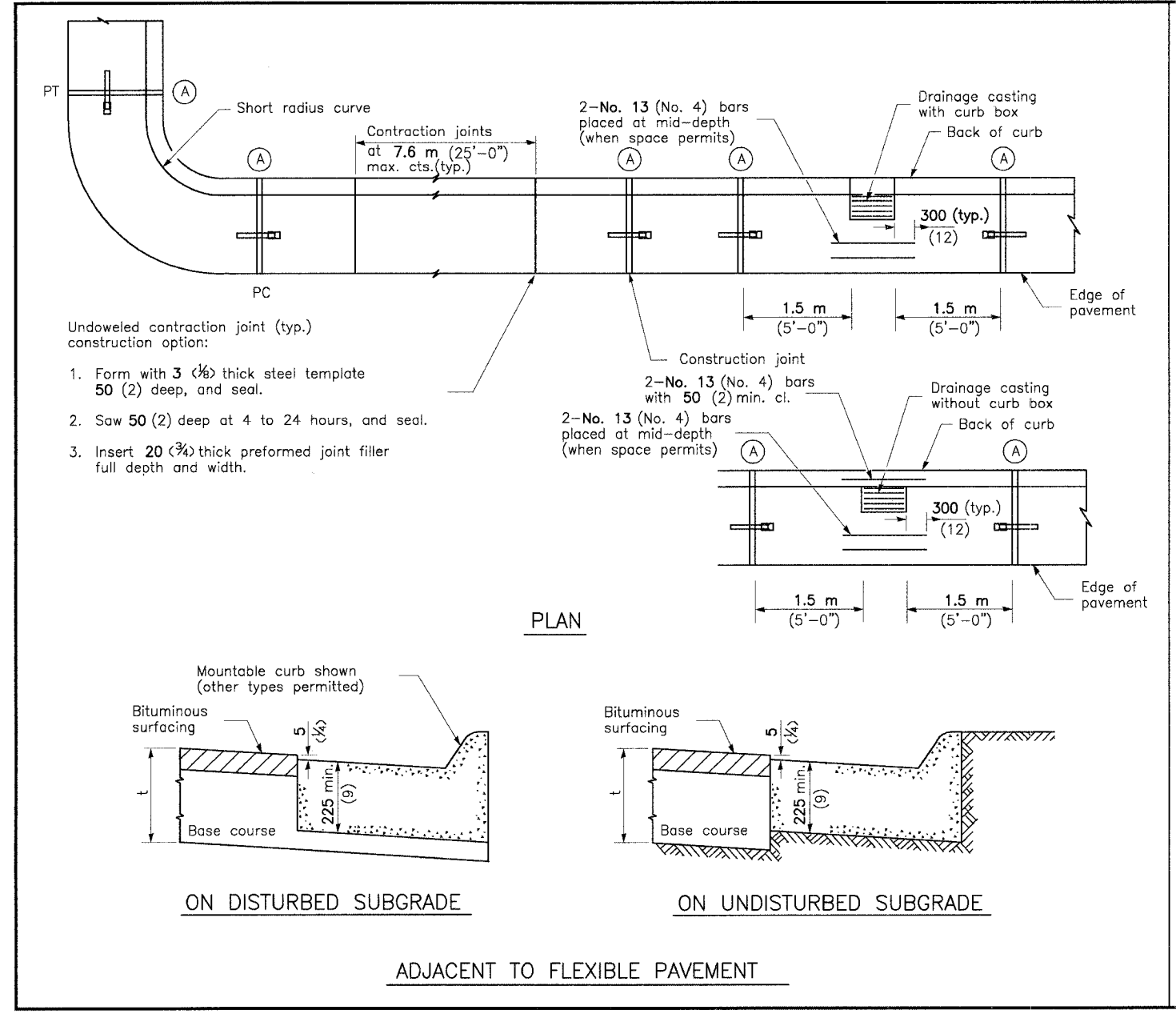
MORRIS ENGINEERING, INC.
5100 S. LINCOLN • SUITE 100 • LISLE, ILLINOIS 60532
PHONE: (630)271-0770 • EMAIL: ECIVIL.COM
DWG LOCATION: H\04-PH\3004\PLANS-ENG\REV-1
DRAWN BY: CJS/CMM FLD. BK. / PG. NO.: . . .
COMPLETION DATE: 4/26/06 • JOB NO.: 04-PH-3004

HARLEM AVENUE MEDIAN IMPROVEMENTS

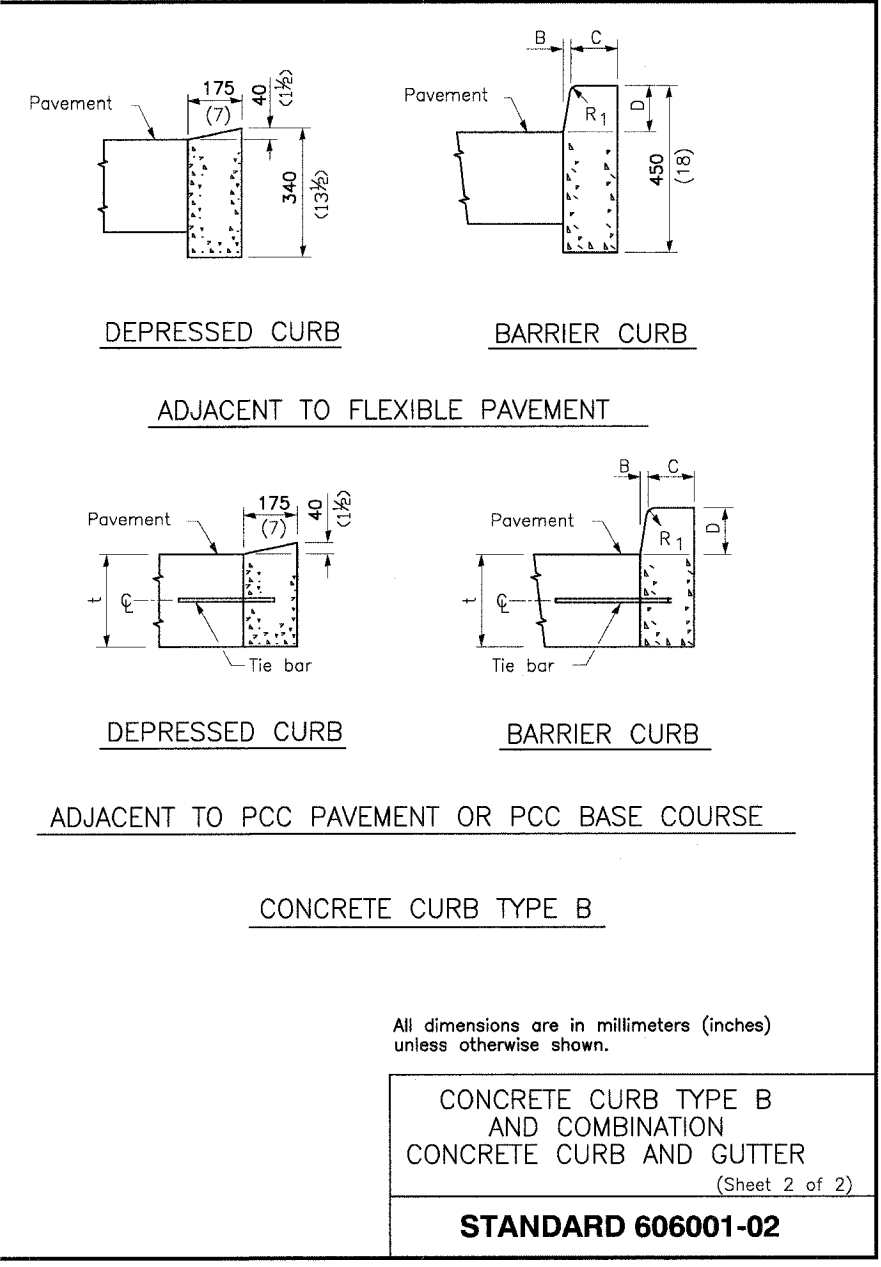
DETAIL SHEET

DATE	REVISIONS	BY	SHEET
1 6/1/06	PER IDOT 5/18/06	OSC	15 OF 31 SHEETS
2			
3			

FAP RTE.	SECTION	COUNTY	TOTAL SHEETS	SHEET NO.
348	04-00040-00-LS	COOK	31	16
F.H.W.A. REG.	ILLINOIS	PROJECT:	F-0348(02B)	
CONTRACT NUMBER 83863				

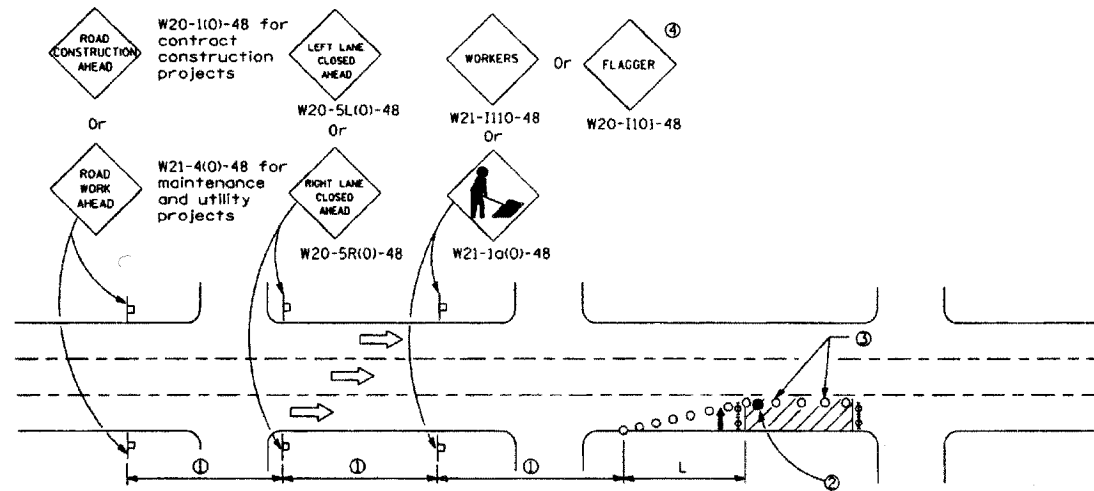


ADJACENT TO FLEXIBLE PAVEMENT



MORRIS ENGINEERING, INC. 5100 S. LINCOLN • SUITE 100 • Lisle, ILLINOIS 60532 PHONE: (630)271-0770 • EMAIL: ECIVIL.COM DWG LOCATION: H\04-PH\3004\PLANS-ENG\REV-1 DRAWN BY: CJS/CMM FLD. BK. / PG. NO. : COMPLETION DATE: 4/26/06 JOB NO.: 04-PH-3004	HARLEM AVENUE MEDIAN IMPROVEMENTS															
	DETAIL SHEET															
<table border="1"> <thead> <tr> <th>DATE</th> <th>REVISIONS</th> <th>BY</th> <th>SHEET</th> </tr> </thead> <tbody> <tr> <td>1 6/1/06</td> <td>PER IDOT 5/18/06</td> <td>OSC</td> <td rowspan="3">16</td> </tr> <tr> <td>2</td> <td></td> <td></td> </tr> <tr> <td>3</td> <td></td> <td></td> </tr> </tbody> </table>	DATE	REVISIONS	BY	SHEET	1 6/1/06	PER IDOT 5/18/06	OSC	16	2			3			OF 31 SHEETS	
DATE	REVISIONS	BY	SHEET													
1 6/1/06	PER IDOT 5/18/06	OSC	16													
2																
3																

FAP RTE.	SECTION	COUNTY	TOTAL SHEETS	SHEET NO.
348	04-00040-00-LS	COOK	31	17
F.H.W.A. REG.		ILLINOIS	PROJECT: F-0348(028)	
CONTRACT NUMBER 83863				



SIGN SPACING	
Posted Speed	Sign Spacing
55	164 m (500')
50-45	115 m (350')
<45	60 m (200')

SYMBOLS

- ↑ Arrow board
- Cone, drum or barricade
- ⊥ Sign on portable or permanent support
- ▨ Work area
- ⊕ Barricade or drum with flashing light
- ⊚ Type III barricade with flashing lights
- Flagger with traffic control sign.

- ① Refer to SIGN SPACING TABLE for distances.
- ② Required for speeds > 40 MPH
- ③ Cones at 8 m (25') centers for 75 m (250'). Additional cones may be placed at 15 m (50') centers. When drums or Type I or Type II barricades are used, the interval between devices may be doubled.
- ④ Use flagger sign only when flagger is present.
- ⑤ For approved sideroad closures.

GENERAL NOTES

This Standard is used where at any-time, day or night, any vehicle, equipment, workers or their activities encroach on the pavement during shoulder operations or where construction requires lane closures in urban areas.

Calculate L as follows:

SPEED LIMIT	FORMULAS	
70 km/h (40 mph) or less:	Metric $L = \frac{WS^2}{150}$	(English) $L = \frac{WS^2}{60}$
80 km/h (45 mph) or greater:	$L = 0.65(W)(S)$ $L = (W)(S)$	

W = Width of offset in meters (feet).
S = Normal posted speed km/h (mph).

All dimensions are in millimeters (inches) unless otherwise shown.

Illinois Department of Transportation
 APPROVED January 1, 2005
 ENGINEER OF OPERATIONS
 APPROVED January 1, 2005
 ENGINEER OF DESIGN AND ENVIRONMENT

DATE	REVISIONS	URBAN LANE CLOSURE, MULTILANE, 1W OR 2W WITH NONTRAVERSABLE MEDIAN (Sheet 1 of 2) STANDARD 701601-04
1-1-05	Added tangent distance to 2 lane closure taper.	
1-1-00	Rev. arrow board for single lane work.	
	Rev. GENERAL NOTES.	

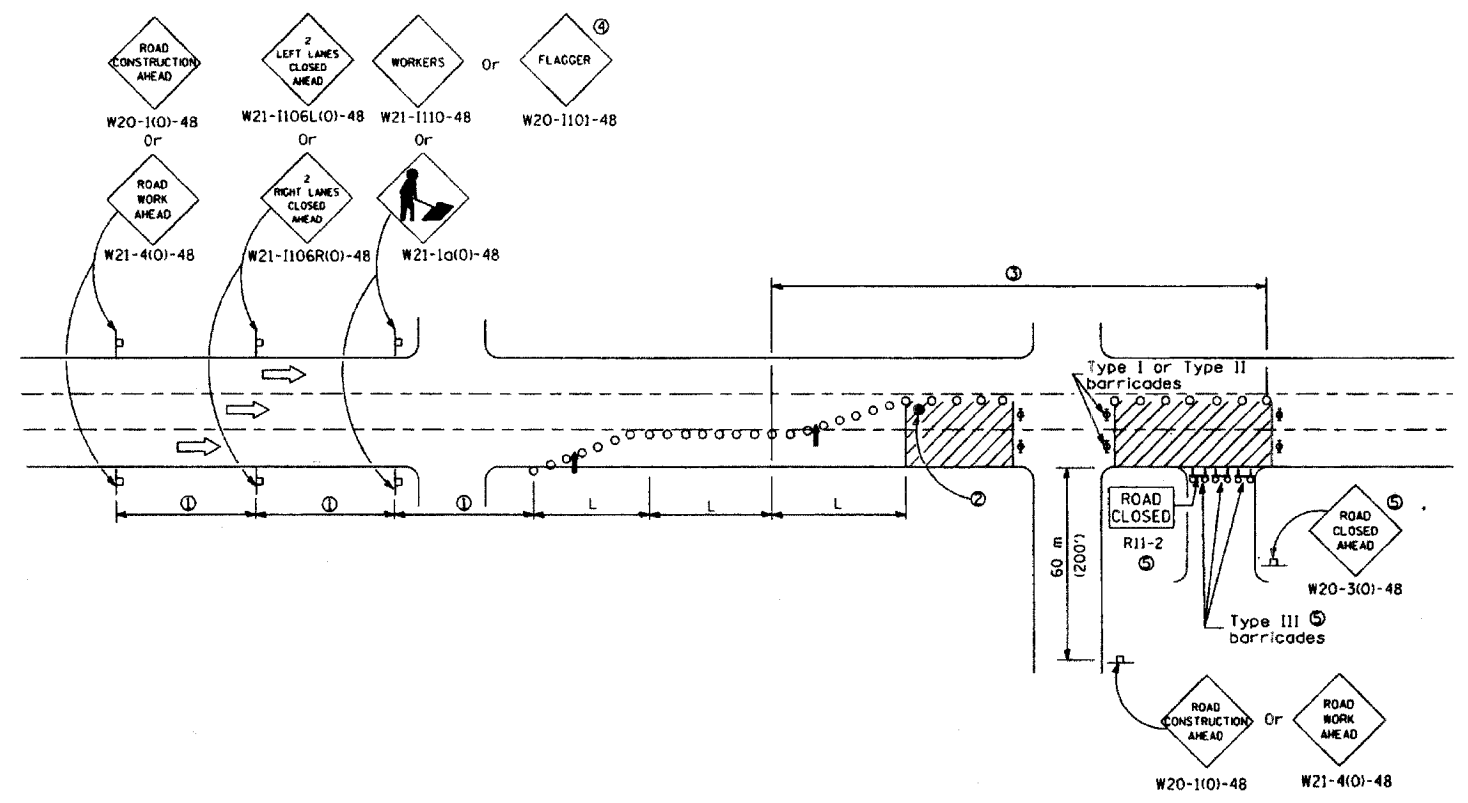
MORRIS ENGINEERING, INC.
 5100 S. LINCOLN • SUITE 100 • LISLE, ILLINOIS 60532
 PHONE: (630)271-0770 • EMAIL: ECIVIL.COM
 DWG LOCATION: H\04-PH\3004\PLANS-ENG\REV-1
 DRAWN BY: CJS/CMM FLD. BK. / PG. NO.: . . .
 COMPLETION DATE: 4/26/06 JOB NO.: 04-PH-3004

HARLEM AVENUE MEDIAN IMPROVEMENTS

DETAIL SHEET

DATE	REVISIONS	BY	SHEET
1 6/1/06	PER IDOT 5/18/06	OSC	17 OF 31 SHEETS
2			
3			

FAP RTE.	SECTION	COUNTY	TOTAL SHEETS	SHEET NO.
348	04-00040-00-LS	COOK	31	18
F.H.W.A. REG.	ILLINOIS	PROJECT:	F-0348(02B)	
CONTRACT NUMBER 83863				



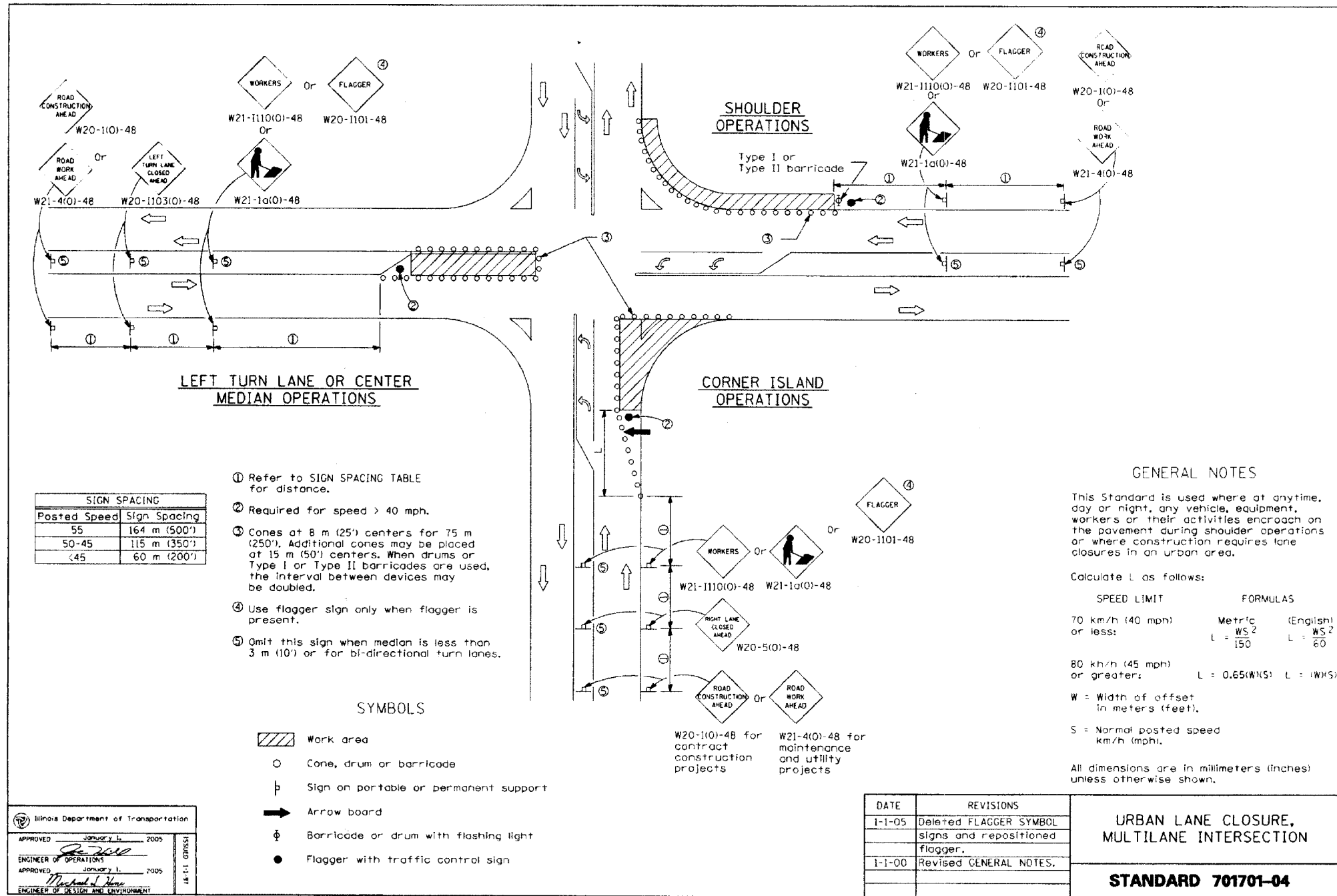
All dimensions are in millimeters (inches) unless otherwise shown.

URBAN LANE CLOSURE,
MULTILANE, 1W OR 2W WITH
NONTRAVERSABLE MEDIAN
(Sheet 2 of 2)
STANDARD 701601-04

Illinois Department of Transportation
APPROVED January 1, 2005
ENGINEER OF OPERATIONS
APPROVED January 1, 2005
ENGINEER OF DESIGN AND ENVIRONMENT

MORRIS ENGINEERING, INC.
5100 S. LINCOLN • SUITE 100 • LISLE, ILLINOIS 60532
PHONE: (630)271-0770 • EMAIL: ECIVIL.COM
DWG LOCATION: H\04-PH\3004\PLANS-ENG\REV-1
DRAWN BY: CJS/CMM FLD. BK. / PG. NO.: . . .
COMPLETION DATE: 4/26/06 JOB NO.: 04-PH-3004

HARLEM AVENUE MEDIAN IMPROVEMENTS			
DETAIL SHEET			
DATE	REVISIONS	BY	SHEET
6/1/06	PER IDOT 5/18/06	OSC	18 OF 31 SHEETS



Illinois Department of Transportation

APPROVED January 1, 2005
ENGINEER OF OPERATIONS

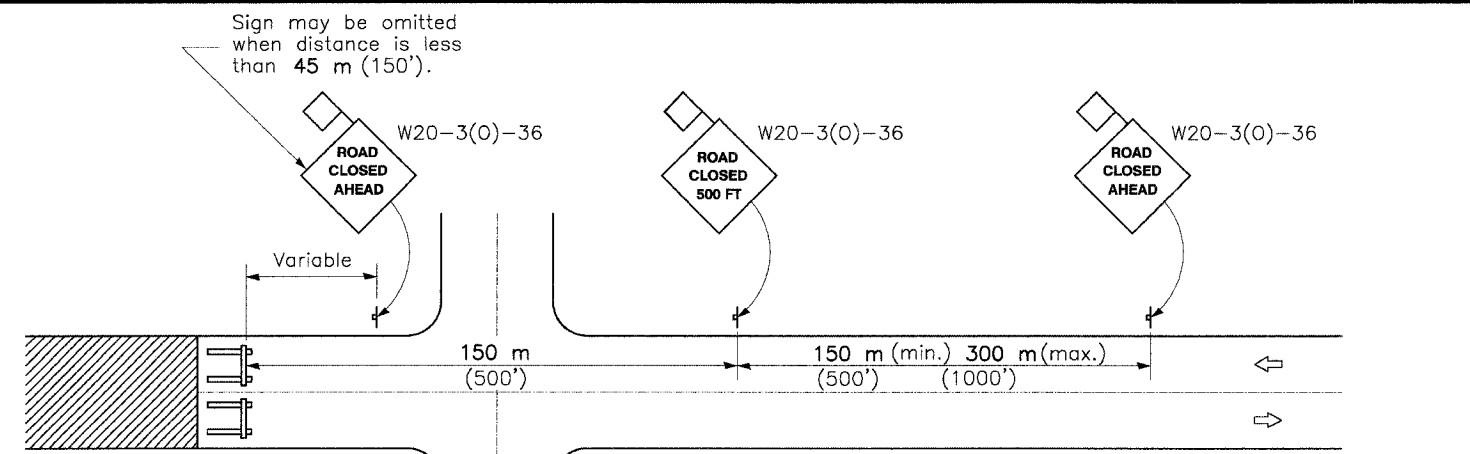
APPROVED January 1, 2005
ENGINEER OF DESIGN AND ENVIRONMENT

MORRIS ENGINEERING, INC.
5100 S. LINCOLN • SUITE 100 • LISLE, ILLINOIS 60532
PHONE: (630)271-0770 • EMAIL: ECIVIL.COM
DWG LOCATION: H\04-PH\3004\PLANS-ENG\REV-1
DRAWN BY: CJS/CMM FLD. BK. / PG. NO.: .
COMPLETION DATE: 4/26/06 JOB NO.: 04-PH-3004

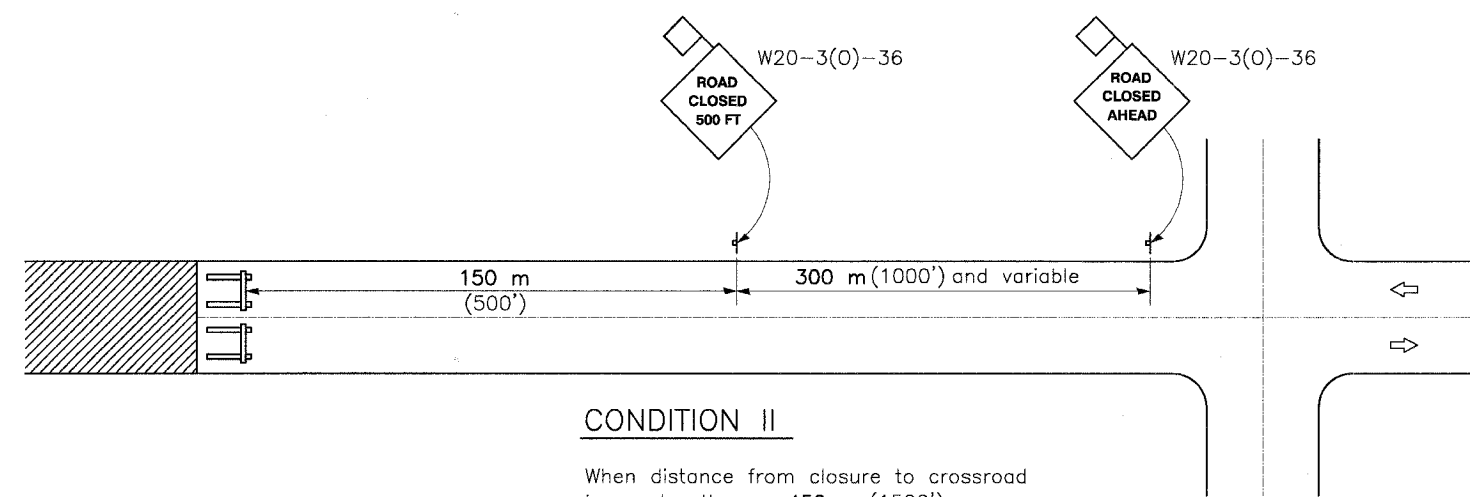
HARLEM AVENUE MEDIAN IMPROVEMENTS			
DETAIL SHEET			
DATE	REVISIONS	BY	SHEET
1 6/1/06	PER IDOT 5/18/06	OSC	19
2			
3			

OF 31 SHEETS

FAP RTE.	SECTION	COUNTY	TOTAL SHEETS	SHEET NO.
348	04-00040-00-LS	COOK	31	20
F.H.W.A. REG.	ILLINOIS	PROJECT:	F-0348(02B)	
CONTRACT NUMBER 83863				

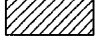
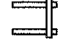



CONDITION I
When distance from closure to crossroad is less than 450 m (1500')



CONDITION II
When distance from closure to crossroad is greater than 450 m (1500')

SYMBOLS

-  Work area
-  Type III Barricade
-  Sign with 450(18) by 450(18) (minimum) orange flag attached

GENERAL NOTES

Type III Barricades and R11-2-4830 signs shall be positioned as shown in "Road Closed To All Traffic" detail on Highway Standard 702001.

Two Type A Low Intensity Flashing Lights shall be used on each approach in advance of the work area during hours of darkness. One light shall be installed above the barricades and the other above the first advance warning sign.

All signs shall be post mounted if the closure time exceeds four days.

All warning signs shall have minimum dimensions of 900 mm (36") by 900 mm (36") and have a black legend on an orange reflectorized background.

All work zone signs are required to meet, as a minimum, Type B reflectivity requirements of Table 1091-2 in Article 1091.02 of the Standard Specifications.

Longitudinal dimensions may be adjusted to fit field conditions.

When the distance between the barricade and the intersection is between 450 m (1500') and 600 m (2000'), the advance sign shall be placed at the intersection. When the distance between the barricade and the intersection is over 600 m (2000'), an additional sign shall be placed at the intersection. The additional sign shall give the distance to the barricade in miles or fractions of a mile.

When fluorescent signs are used, orange flags are not required.

All dimensions are in millimeters (inches) unless otherwise shown.

Illinois Department of Transportation

APPROVED: January 1, 2003
Donald W. Robinson
ENGINEER OF LOCAL ROADS AND STREETS

APPROVED: January 1, 2003
Michael J. Stone
ENGINEER OF DESIGN AND ENVIRONMENT

ISSUED: 1-1-97

DATE	REVISIONS
1-1-03	Revised specification reference in 5th General Note.
1-1-98	Rev. 5th General Note. Added 8th General Note.

TYPICAL APPLICATION OF TRAFFIC CONTROL DEVICES FOR CONSTRUCTION ON RURAL LOCAL HIGHWAYS

STANDARD B.L.R. 21-6

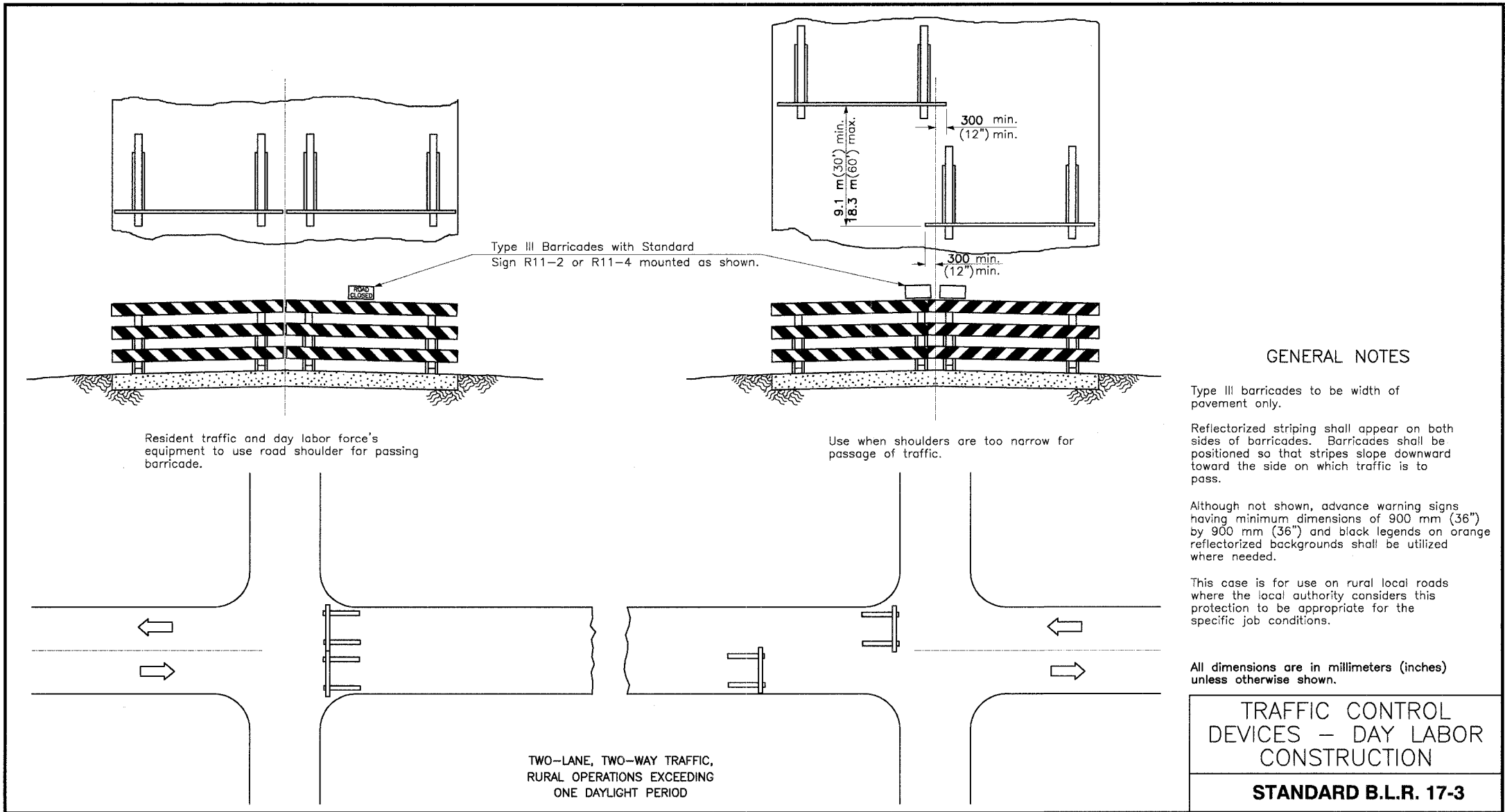
MORRIS ENGINEERING, INC.
5100 S. LINCOLN • SUITE 100 • LISLE, ILLINOIS 60532
PHONE: (630)271-0770 • EMAIL: ECIVIL.COM
DWG LOCATION: H:\04-PH\3004\PLANS-ENG\REV-1
DRAWN BY: CJS/CMM FLD. BK. / PG. NO.: .
COMPLETION DATE: 4/26/06 JOB NO.: 04-PH-3004

HARLEM AVENUE MEDIAN IMPROVEMENTS

DETAIL SHEET

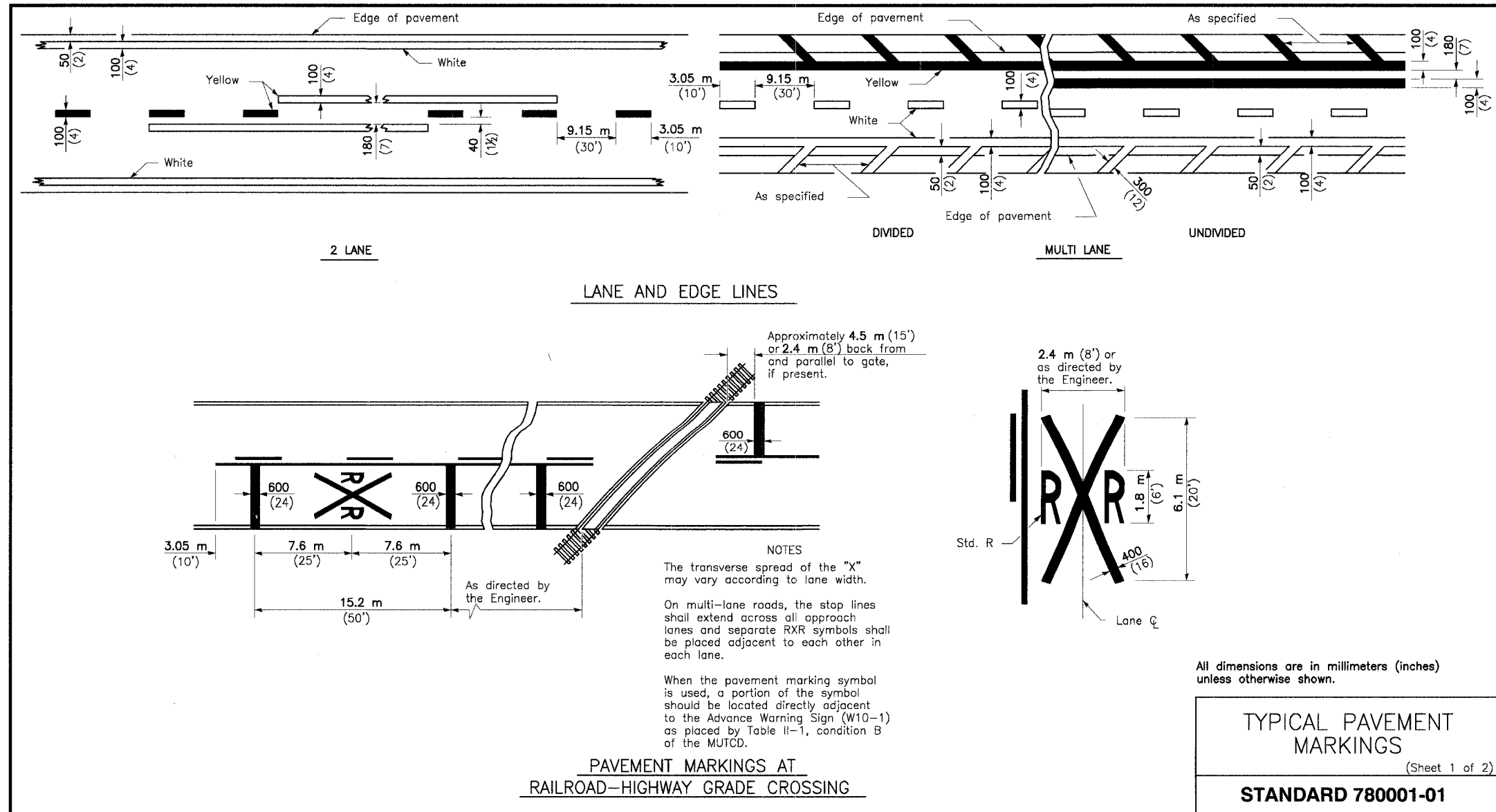
DATE	REVISIONS	BY	SHEET
1 6/1/06	PER IDOT 5/18/06	OSC	20 OF 31 SHEETS
2			
3			

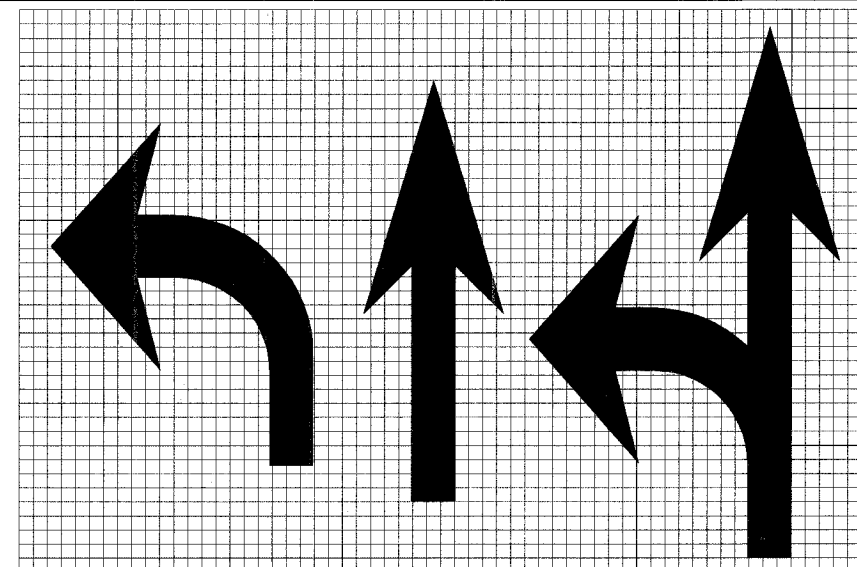
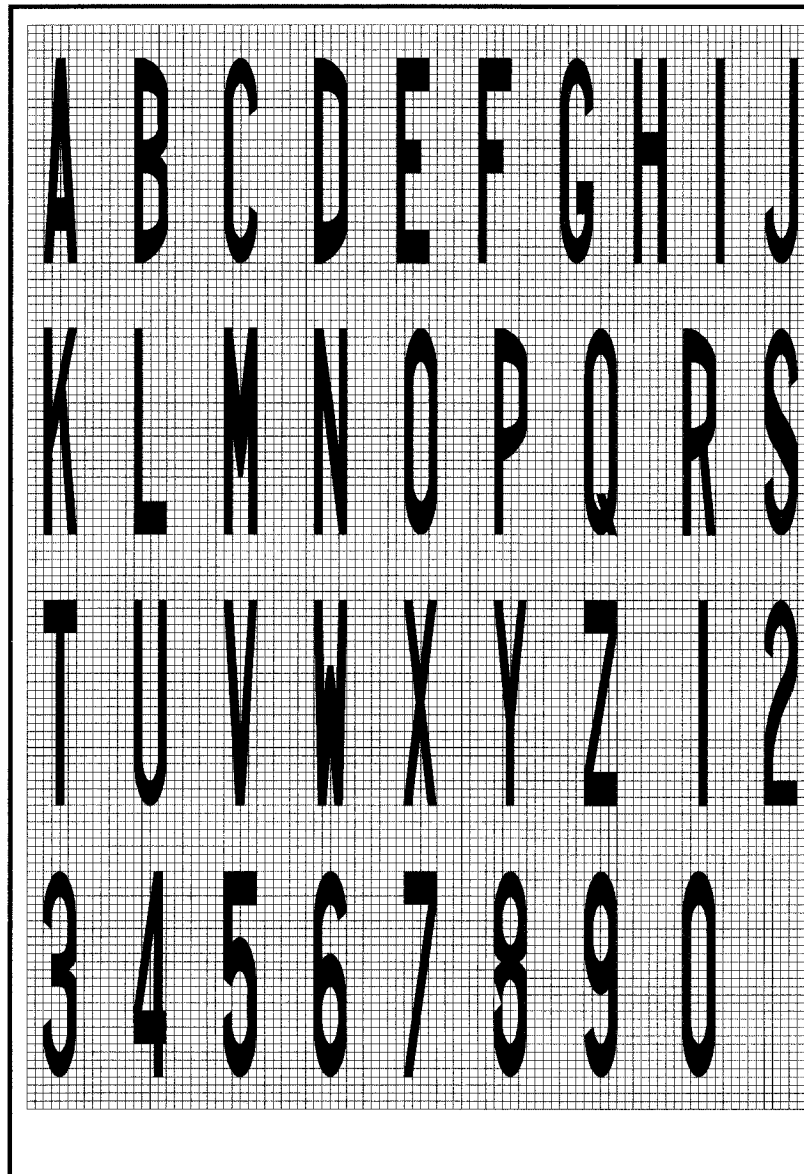
FAP RTE.	SECTION	COUNTY	TOTAL SHEETS	SHEET NO.
348	04-00040-00-LS	COOK	31	21
F.H.W.A. REG.	ILLINOIS	PROJECT:	F-0348(02B)	
CONTRACT NUMBER 83863				



MORRIS ENGINEERING, INC.
 5100 S. LINCOLN • SUITE 100 • LISLE, ILLINOIS 60532
 PHONE: (630)271-0770 • EMAIL: ECIVIL.COM
 DWG LOCATION: H\04-PH\3004\PLANS-ENG\REV-1
 DRAWN BY: CJS/CMM FLD. BK. / PG. NO. : .
 COMPLETION DATE: 4/26/06 JOB NO. : 04-PH-3004

HARLEM AVENUE MEDIAN IMPROVEMENTS			
DETAIL SHEET			
DATE	REVISIONS	BY	SHEET
6/1/06	PER IDOT 5/18/06	OSC	21 OF 31 SHEETS

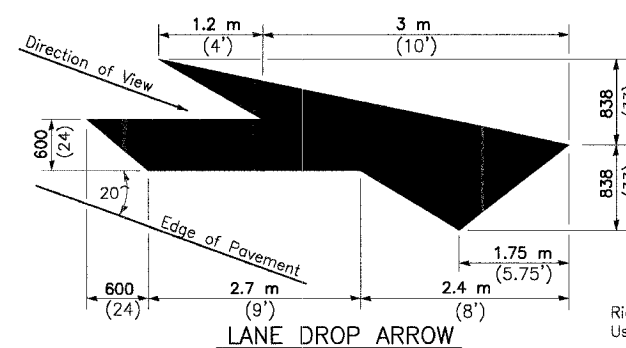




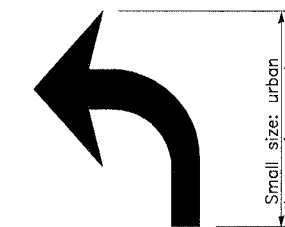
Legend Height	Arrow Size	a
1.8 m (6')	Small	74 (2.9)
2.4 m (8')	Large	96 (3.8)

The space between adjacent letters or numerals should be approximately 75 (3) for 1.8 m (6') legend and 100 (4') for 2.4 m (8') legend.

LETTER AND ARROW GRID SCALE



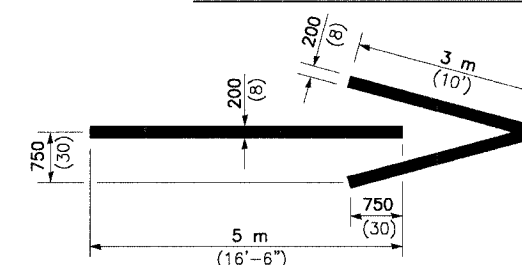
Right lane drop arrow shown.
Use mirror image for left lane.



6 m (20') : urban
15 m (50') : rural
(Between arrow and word or between words)

ONLY

WORD AND ARROW LAYOUT



WRONG WAY ARROW

All dimensions are in millimeters (inches) unless otherwise shown.

TYPICAL PAVEMENT MARKINGS

(Sheet 2 of 2)

STANDARD 780001-01

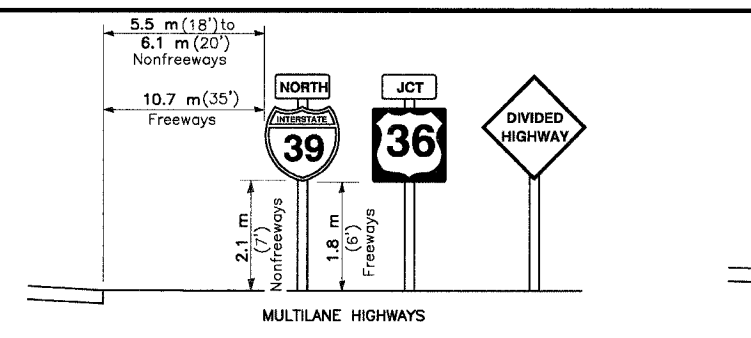
MORRIS ENGINEERING, INC.

5100 S. LINCOLN • SUITE 100 • Lisle, ILLINOIS 60532
PHONE: (630)271-0770 • EMAIL: ECIVIL.COM
DWG LOCATION: H:\04-PH\3004\PLANS-ENG\REV-1
DRAWN BY: CJS/CMM FLD. BK. / PG. NO. :
COMPLETION DATE: 4/26/06 JOB NO.: 04-PH-3004

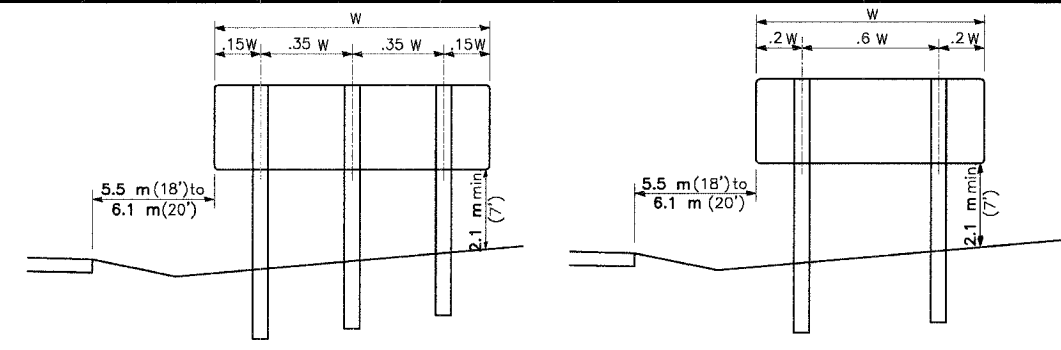
HARLEM AVENUE MEDIAN IMPROVEMENTS

DETAIL SHEET

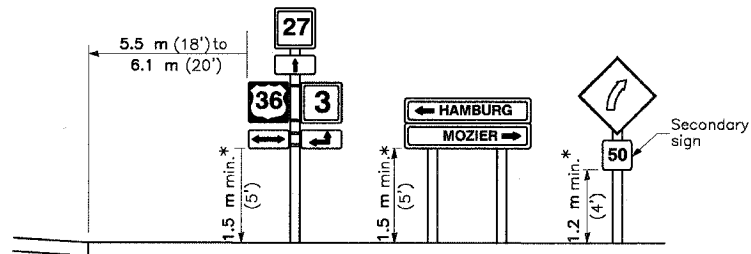
DATE	REVISIONS	BY	SHEET
1 6/1/06	PER IDOT 5/18/06	OSC	23 OF 31 SHEETS
2			
3			



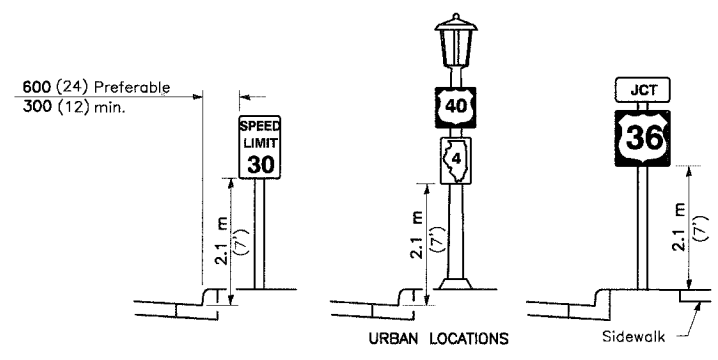
MULTILANE HIGHWAYS



POST SPACING FOR NON-FREEWAY SIGN PANELS

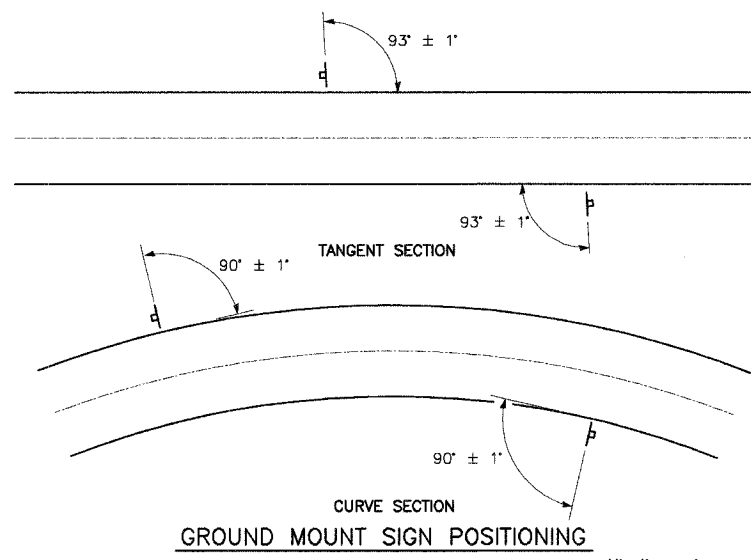


TWO LANE RURAL HIGHWAYS



URBAN LOCATIONS
TYPICAL INSTALLATIONS

Signs in any area shall be erected to a uniform height above the edge of the pavement.



TANGENT SECTION
CURVE SECTION
GROUND MOUNT SIGN POSITIONING

All dimensions are in millimeters (inches) unless otherwise shown.

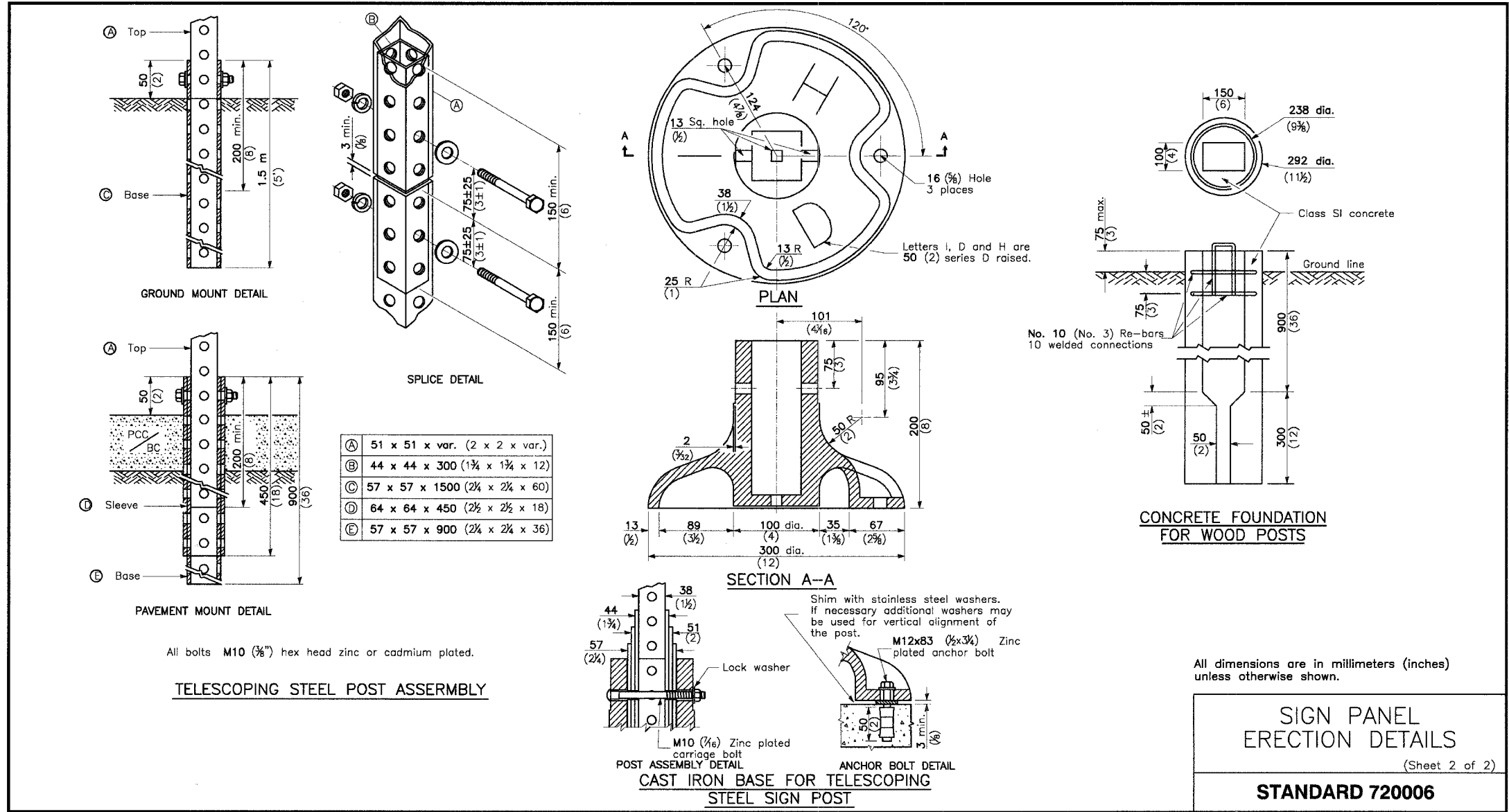
SIGN PANEL
ERECTION DETAILS

(Sheet 1 of 2)

STANDARD 720006

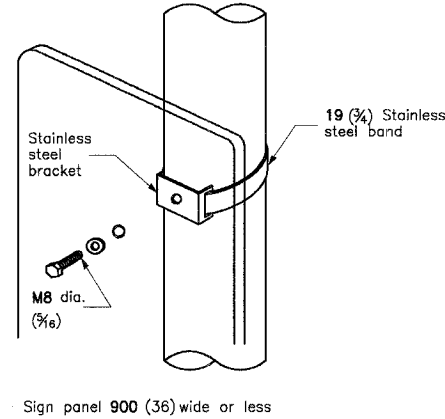
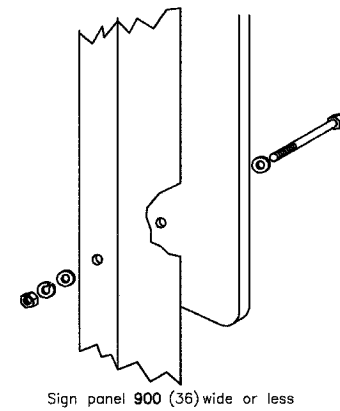
MORRIS ENGINEERING, INC.
 5100 S. LINCOLN • SUITE 100 • LISLE, ILLINOIS 60532
 PHONE: (630)271-0770 • EMAIL: ECIVIL.COM
 DWG LOCATION: H\04-PH\3004\PLANS-ENG\REV-1
 DRAWN BY: CJS/CMM FLD. BK. / PG. NO. : .
 COMPLETION DATE: 4/26/06 JOB NO.: 04-PH-3004

HARLEM AVENUE MEDIAN IMPROVEMENTS			
DETAIL SHEET			
DATE	REVISIONS	BY	SHEET
1 6/1/06	PER IDOT 5/18/06	OSC	24 OF 31 SHEETS
2			
3			

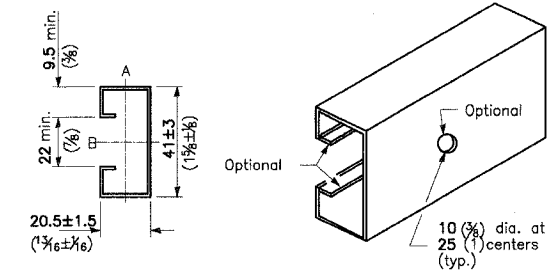


**SIGN PANEL
ERECTION DETAILS**
(Sheet 2 of 2)
STANDARD 720006

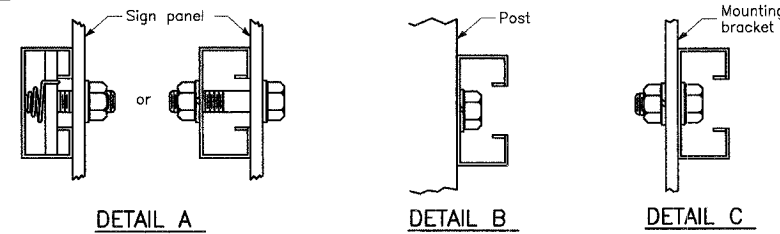
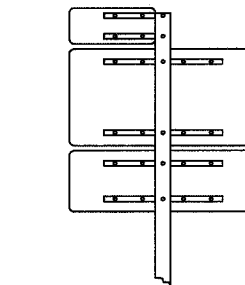
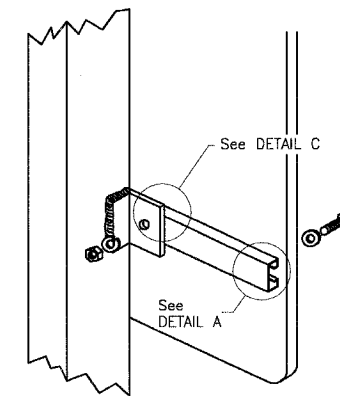
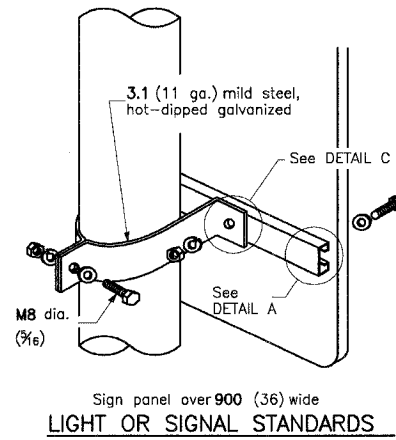
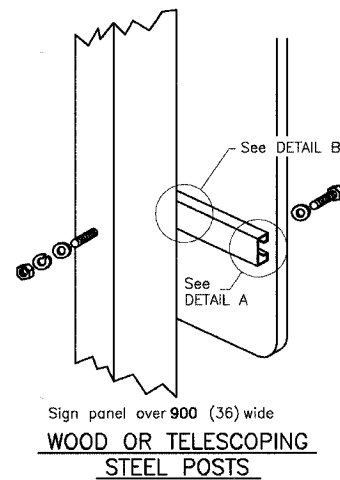
MORRIS ENGINEERING, INC. 5100 S. LINCOLN • SUITE 100 • LISLE, ILLINOIS 60532 PHONE: (630)271-0770 • EMAIL: ECIVIL.COM DWG LOCATION: H:\04-PH\3004\PLANS-ENG\REV-1 DRAWN BY: CJS/CMM FLD. BK. / PG. NO. : . COMPLETION DATE: 4/26/06 JOB NO.: 04-PH-3004	HARLEM AVENUE MEDIAN IMPROVEMENTS DETAIL SHEET			DATE REVISIONS BY SHEET 25 OF 31 SHEETS
	1 6/1/06 PER IDOT 5/18/06 2 3	OSC OSC	OSC	



Section modulus (minimum)	Axis A	Axis B
Steel	819 mm ³ (0.050 in. ³)	1720 mm ³ (0.105 in. ³)
Aluminum	2458 mm ³ (0.150 in. ³)	5162 mm ³ (0.315 in. ³)



SUPPORTING CHANNEL DETAILS



ROUTE MARKER ASSEMBLY

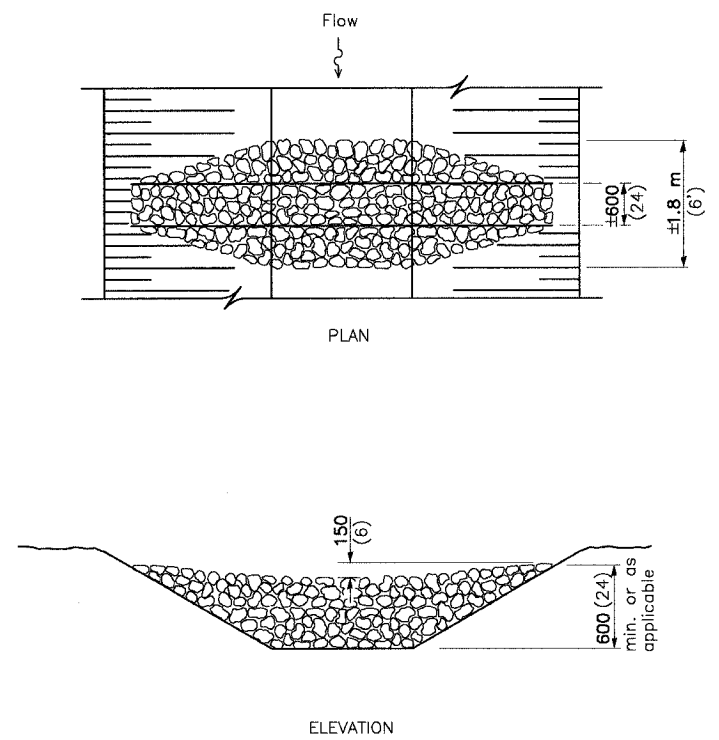
All dimensions are in millimeters (inches) unless otherwise shown.

SIGN PANEL MOUNTING DETAILS
STANDARD 720001

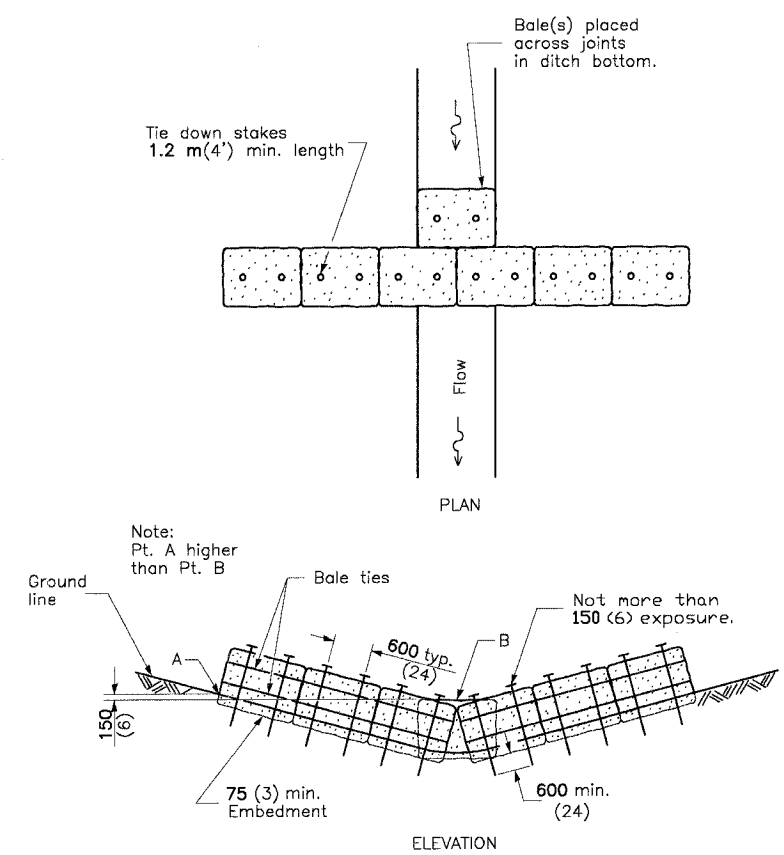
MORRIS ENGINEERING, INC.
5100 S. LINCOLN SUITE 100 • Lisle, ILLINOIS 60532
PHONE: (630)271-0770 • EMAIL: ECIVIL.COM
DWG LOCATION: H:\04-PH\3004\PLANS-ENG\REV-1
DRAWN BY: CJS/CMM FLD. BK. / PG. NO. :
COMPLETION DATE: 4/26/06 JOB NO.: 04-PH-3004

HARLEM AVENUE MEDIAN IMPROVEMENTS			
DETAIL SHEET			
DATE	REVISIONS	BY	SHEET
1 6/1/06	PER IDOT 5/18/06	OSC	26 OF 31 SHEETS
2			
3			

FAP RTE.	SECTION	COUNTY	TOTAL SHEETS	SHEET NO.
348	04-00040-00-LS	COOK	31	27
F.H.W.A. REG.		ILLINOIS	PROJECT: F-0348(028)	
CONTRACT NUMBER 83863				



AGGREGATE DITCH CHECK



ROLLED EXCELSIOR OR STRAW BALES FOR DITCH CHECK

GENERAL NOTES

The dimensions and installation methods for ditch checks shall be the same for perimeter erosion barriers and inlet and outlet protection unless otherwise specified.

All dimensions are in millimeters (inches) unless otherwise shown.

TEMPORARY EROSION CONTROL SYSTEMS
(Sheet 1 of 3)
STANDARD 280001-02

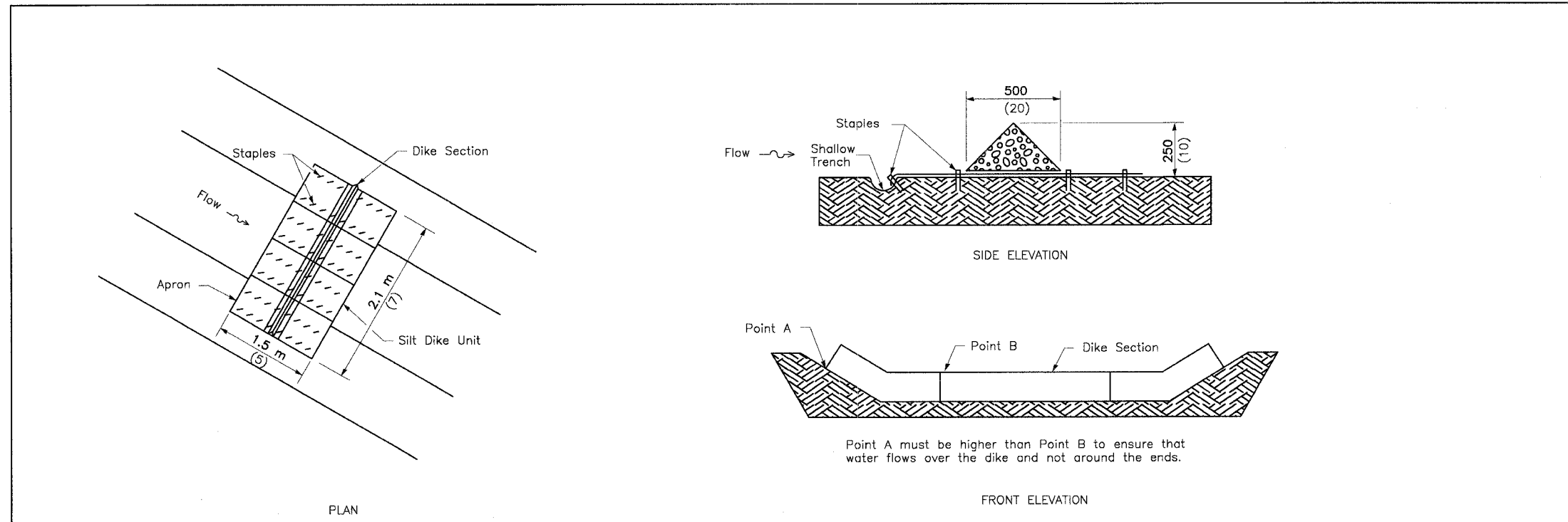
MORRIS ENGINEERING, INC.
5100 S. LINCOLN • SUITE 100 • Lisle, ILLINOIS 60532
PHONE: (630)271-0770 • EMAIL: ECIVIL.COM
DWG LOCATION: H\04-PH\3004\PLANS-ENG\REV-1
DRAWN BY: CJS/CMM FLD. BK. / PG. NO. :
COMPLETION DATE: 4/26/06 JOB NO.: 04-PH-3004

HARLEM AVENUE MEDIAN IMPROVEMENTS

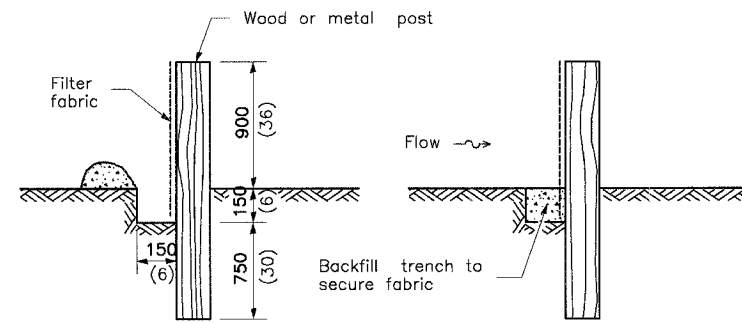
DETAIL SHEET

DATE	REVISIONS	BY	SHEET
1 6/1/06	PER IDOT 5/18/06	OSC	27 OF 31 SHEETS
2			
3			

FAP RTE.	SECTION	COUNTY	TOTAL SHEETS	SHEET NO.
348	04-00040-00-LS	COOK	31	28
F.H.W.A. REG.	ILLINOIS	PROJECT:	F-0348(02B)	
CONTRACT NUMBER 83863				



URETHANE FOAM/GEOTEXTILE DITCH CHECK



SILT FILTER FENCE AS A PERIMETER EROSION BARRIER

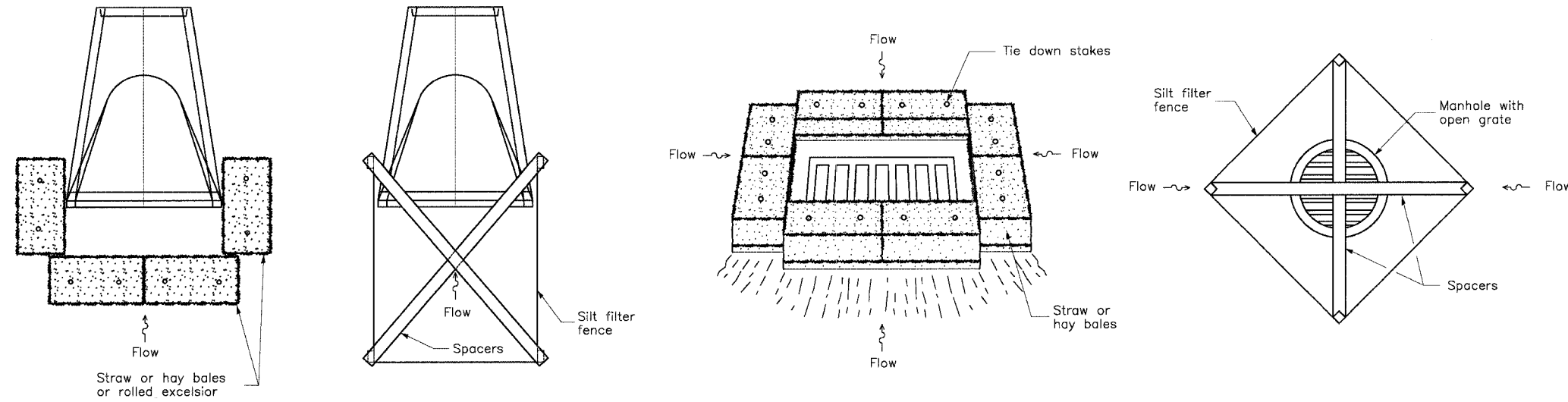
TEMPORARY EROSION CONTROL SYSTEMS
(Sheet 2 of 3)
STANDARD 280001-02

MORRIS ENGINEERING, INC.
5100 S. LINCOLN • SUITE 100 • LISLE, ILLINOIS 60532
PHONE: (630)271-0770 • EMAIL: ECVIL.COM
DWG LOCATION: H\04-PH\3004\PLANS-ENG\REV-1
DRAWN BY: CJS/CMM FLD. BK. / PG. NO. : .
COMPLETION DATE: 4/26/06 JOB NO.: 04-PH-3004

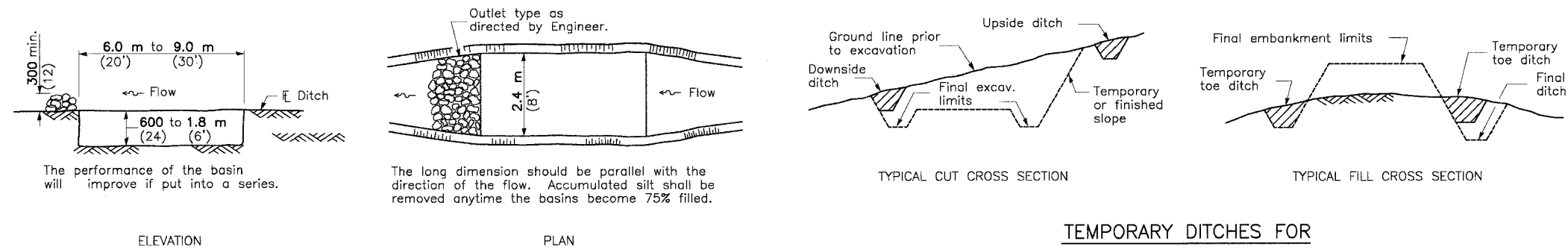
HARLEM AVENUE MEDIAN IMPROVEMENTS

DETAIL SHEET

DATE	REVISIONS	BY	SHEET
1 6/1/06	PER IDOT 5/18/06	OSC	28 OF 31 SHEETS
2			
3			



INLET AND PIPE PROTECTION



The performance of the basin will improve if put into a series.

The long dimension should be parallel with the direction of the flow. Accumulated silt shall be removed anytime the basins become 75% filled.

ELEVATION

SEDIMENT BASIN

PLAN

TYPICAL CUT CROSS SECTION

TYPICAL FILL CROSS SECTION

TEMPORARY DITCHES FOR CUT & FILL SECTIONS

TEMPORARY EROSION CONTROL SYSTEMS
(Sheet 3 of 3)

STANDARD 280001-02

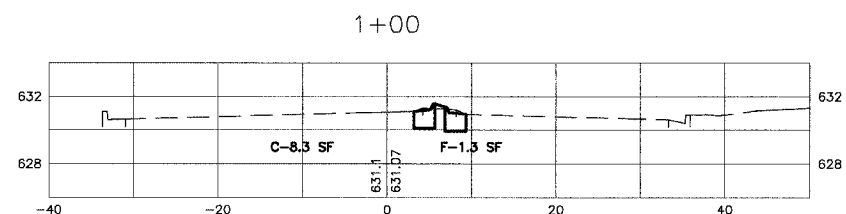
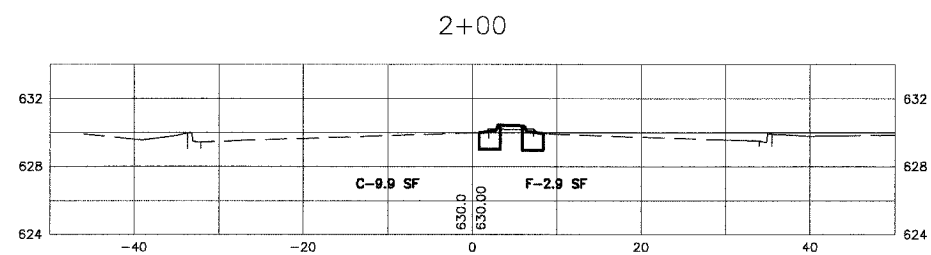
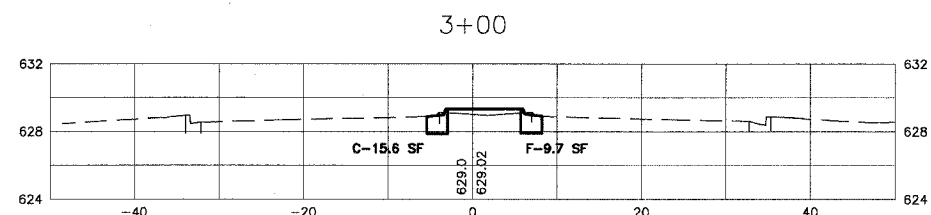
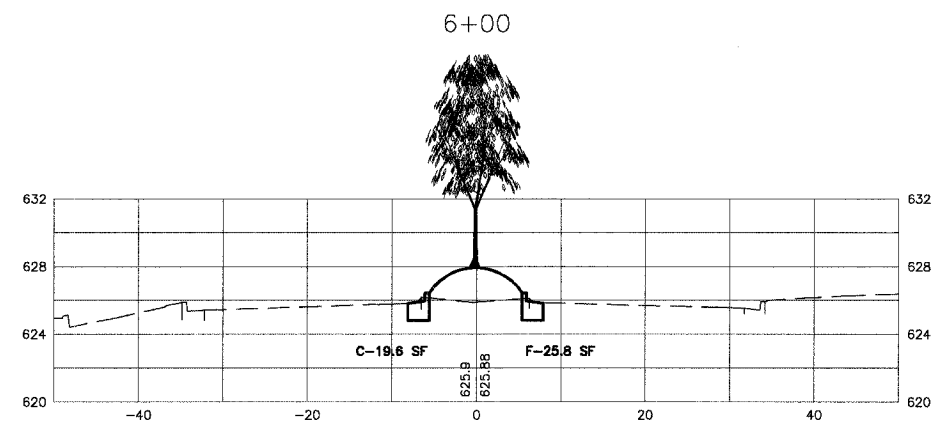
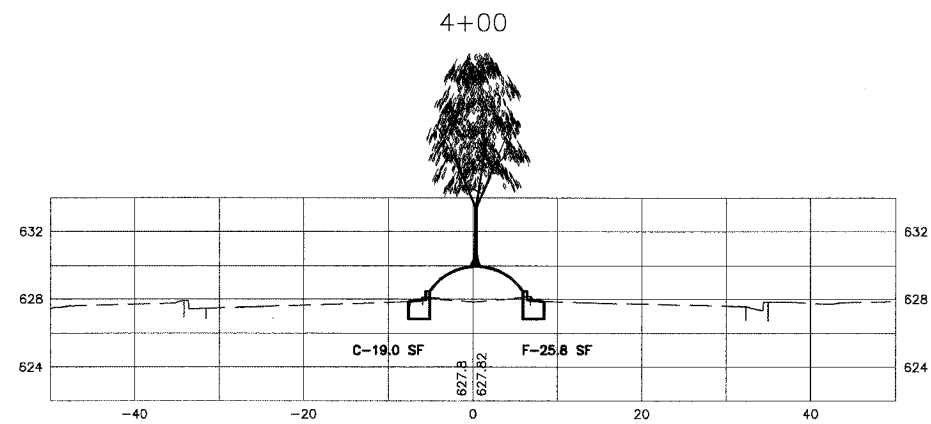
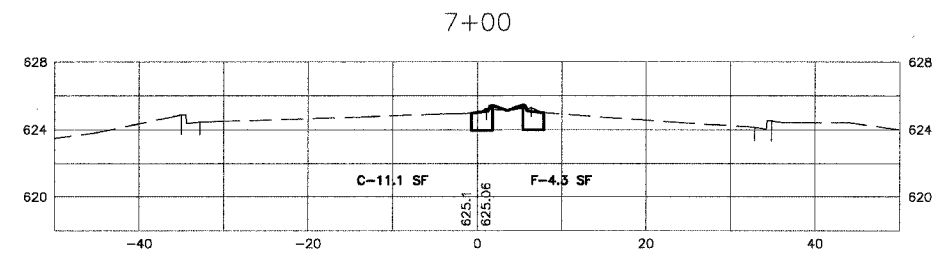
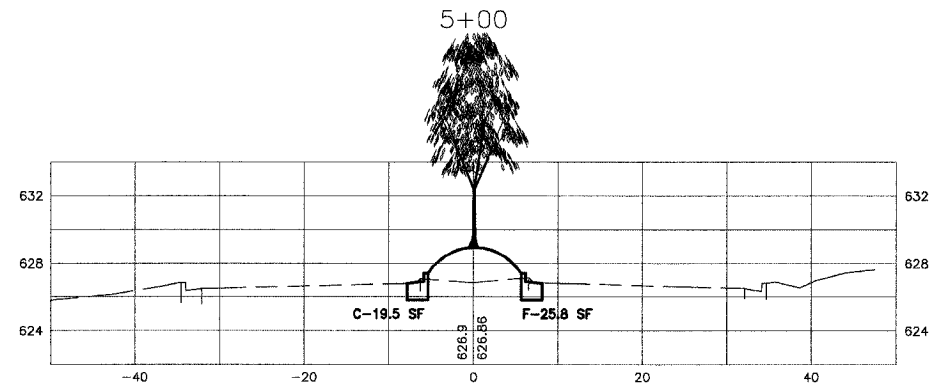
MORRIS ENGINEERING, INC.
 5100 S. LINCOLN SUITE 100 • LISLE, ILLINOIS 60532
 PHONE: (630)271-0770 • EMAIL: ECMIL.COM
 DWG LOCATION: H:\04-PH\3004\PLANS-ENG\REV-1
 DRAWN BY: CJS/CMM FLD. BK. / PG. NO. :
 COMPLETION DATE: 4/26/06 JOB NO.: 04-PH-3004

HARLEM AVENUE MEDIAN IMPROVEMENTS

DETAIL SHEET

DATE	REVISIONS	BY	SHEET
1 6/1/06	PER IDOT 5/18/06	OSC	29 OF 31 SHEETS
2			
3			

FAP RTE.	SECTION	COUNTY	TOTAL SHEETS	SHEET NO.
348	04-00040-00-LS	COOK	31	30
F.H.W.A. REG.		ILLINOIS	PROJECT: F-0348(028)	
CONTRACT NUMBER 83863				



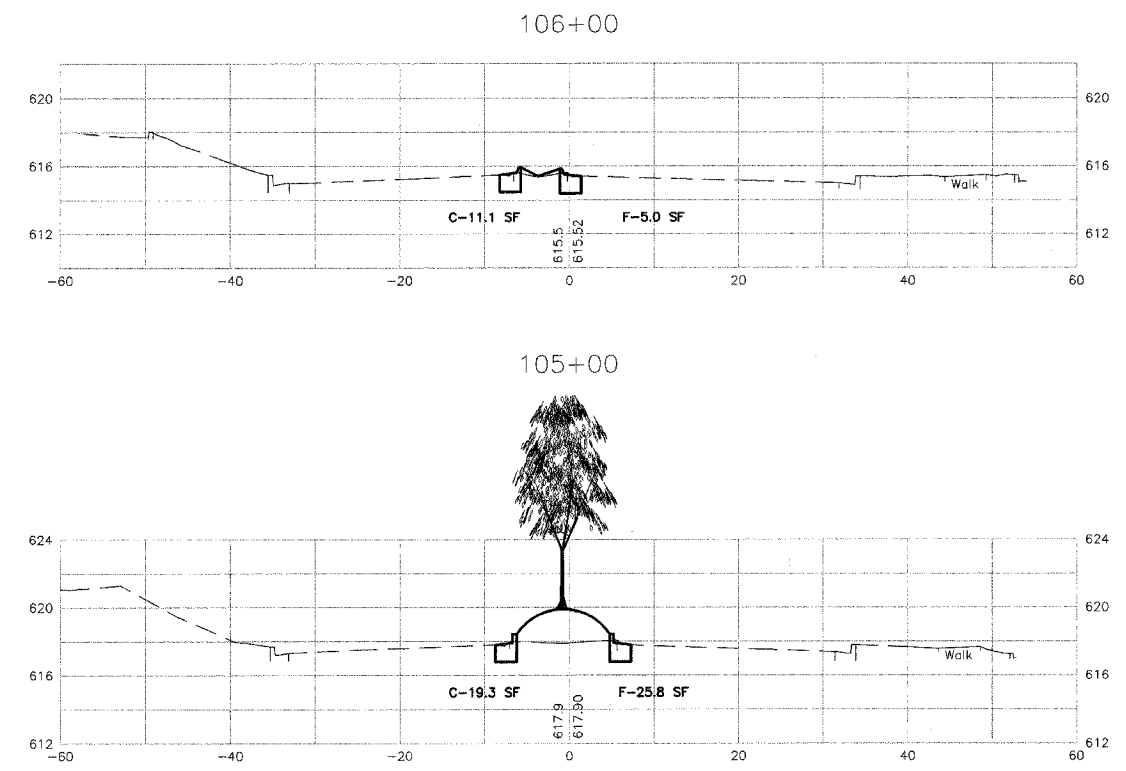
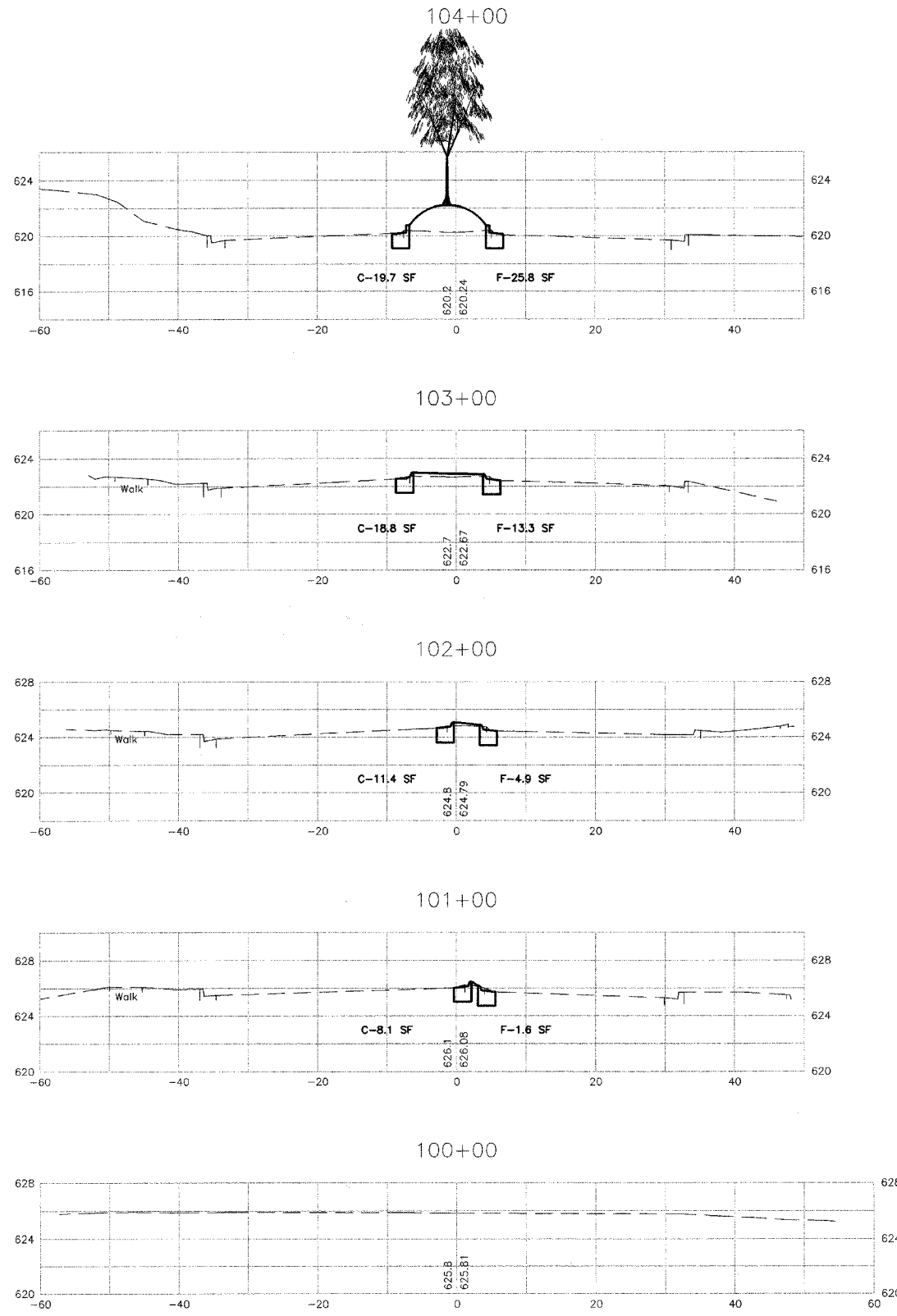
PLOT DATE: Jan 02, 2006
 FILENAME: I:\04-PH\3004\PLANS-ENG\REV-1\0401-SHEET-30.MXD
 USER: JMS

MORRIS ENGINEERING, INC.
 5100 S. LINCOLN • SUITE 100 • Lisle, Illinois 60532
 PHONE: (630)271-0770 • EMAIL: ECIVIL.COM
 DWG LOCATION: H:\04-PH\3004\PLANS-ENG\REV-1
 DRAWN BY: CJS/CMM FLD. BK. / PG. NO. : .
 COMPLETION DATE: 4/26/06 JOB NO.: 04-PH-3004

HARLEM AVENUE MEDIAN IMPROVEMENTS
HARLEM AVENUE BETWEEN 130TH AND 131ST
CROSS SECTIONS - STA. 1+00 TO STA. 7+00

DATE	REVISIONS	BY	SHEET
1 6/1/06	PER IDOT 5/18/06	OSC	30 OF 31 SHEETS
2			
3			

FAP RTE.	SECTION	COUNTY	TOTAL SHEETS	SHEET NO.
348	04-00040-00-LS	COOK	31	31
F.H.W.A. REG.		ILLINOIS	PROJECT: F-0348(028)	
CONTRACT NUMBER 83863				



MORRIS ENGINEERING, INC.
 5100 S. LINCOLN • SUITE 100 • LISLE, ILLINOIS 60532
 PHONE: (630)271-0770 • EMAIL: ECIVIL.COM
 DWG LOCATION: H:\04-PH\3004\PLANS-ENG\REV-1
 DRAWN BY: CJS/CMM FLD. BK. / PG. NO.:
 COMPLETION DATE: 4/26/06 JOB NO.: 04-PH-3004

HARLEM AVENUE MEDIAN IMPROVEMENTS
HARLEM AVENUE BETWEEN 120TH AND 121ST
CROSS SECTIONS - STA. 100+00 TO STA. 106+00

DATE	REVISIONS	BY	SHEET
6/1/06	PER IDOT 5/18/06	OSC	31 OF 31 SHEETS

PLOT DATE: 05/18/06 10:02:06
 FILE NAME: H:\04-PH\3004\PLANS-ENG\REV-1\04-PH-3004-SHEET-PLANS-31.dwg