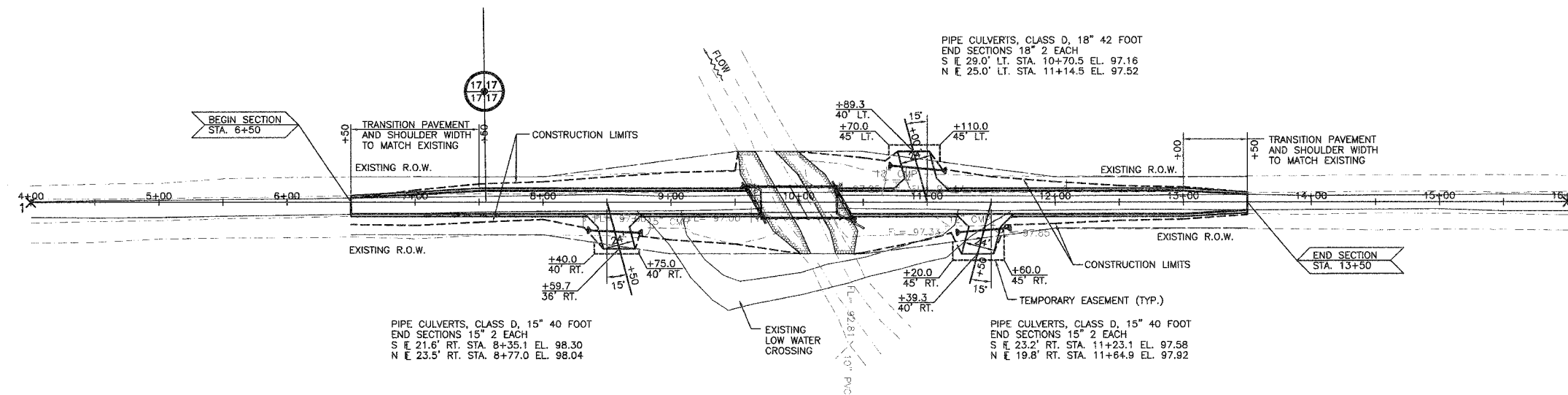
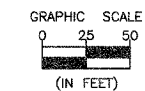


DATE	BY	CHKD	APPD	DATE
E. 3150	*	BUREAU	15	3

* 04-04113-00-BR
CONTRACT NO. 87328

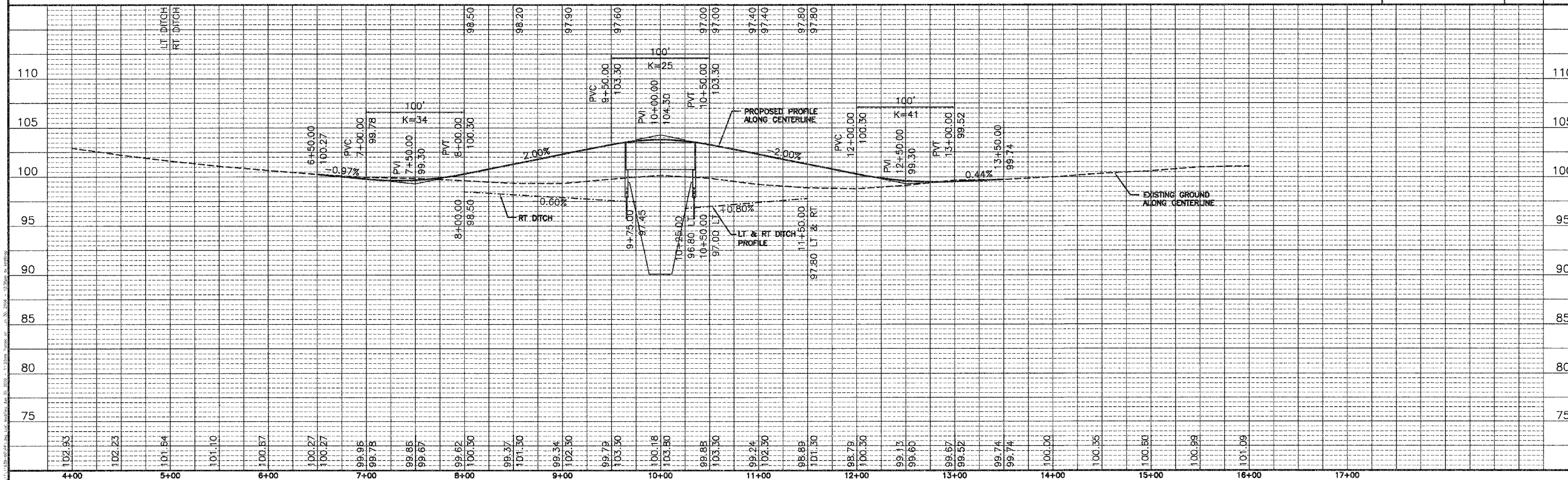
POINT #	NORTHING	EASTING	DESC.
1	5000.00	5000.00	STA. 4+00
2	6200.00	5000.00	STA. 16+00



EXISTING STRUCTURE NO: 006-4050
EXISTING STRUCTURE: THE STRUCTURE IS A SINGLE SPAN STEEL THROUGH TRUSS BRIDGE ON OPEN ABUTMENTS. LENGTH 59.9' B. TO B. OF ABUTMENT. CLEAR SPAN 58.3' WIDTH 15.9' O. TO O. OF DECK
PROPOSED STRUCTURE NO: 006-4051
PROPOSED STRUCTURE: THE STRUCTURE IS A SINGLE SPAN PRECAST PRESTRESSED DECK BEAM BRIDGE ON OPEN ABUTMENTS. LENGTH 71.9' B. TO B. OF ABUTMENTS CLEAR SPAN 66.2' WIDTH 24' O. TO O. OF DECK

BENCHMARK:
CHISELED "□" ON S.W. WINGWALL OF EXISTING STRUCTURE. ELEV. - 100.00

LOCATION	EARTHWORK QUANTITIES	
	CUT	FILL
STA. 6+50 TO STA. 13+50	207	954



DRAWN BY: NQ
CHECKED BY: JKC

CAD/DWG: PP1
DATE: 03/06

REVISIONS	
DATE	BY



PERU MORRIS
ILLINOIS

EAST 3150 ROAD OVER PIKE CREEK
SECTION 04-04113-00-BR
BUREAU COUNTY

PLAN AND PROFILE

SCALE: AS NOTED
FILE NO.: 11638.00Y-1
SHEET 3 OF 15