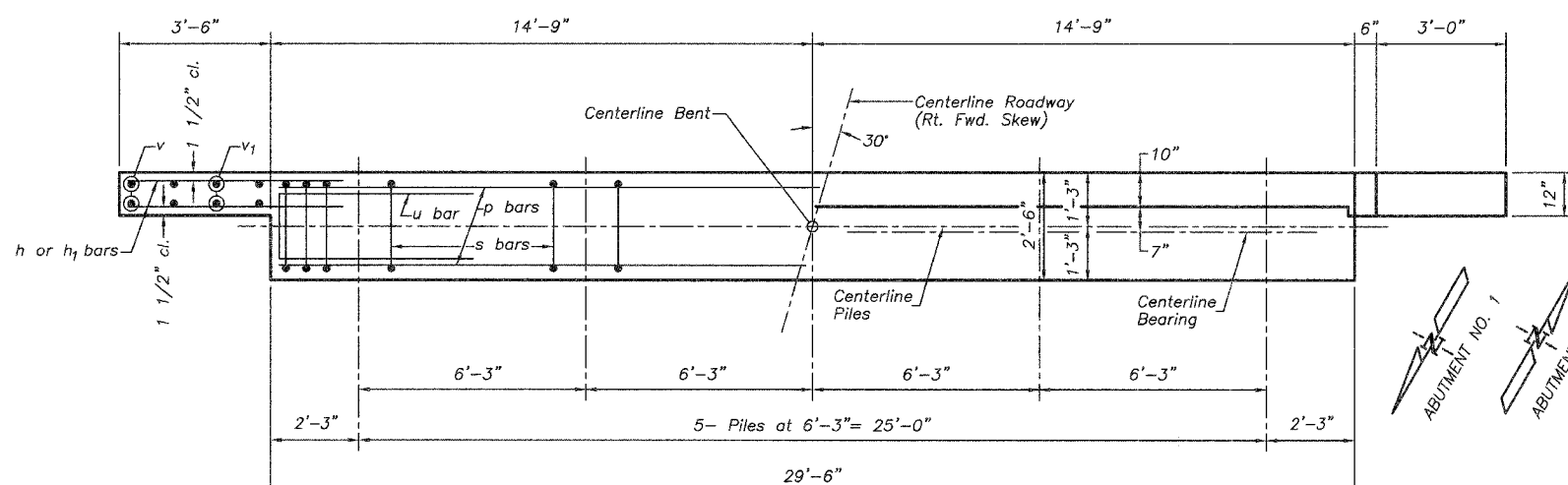


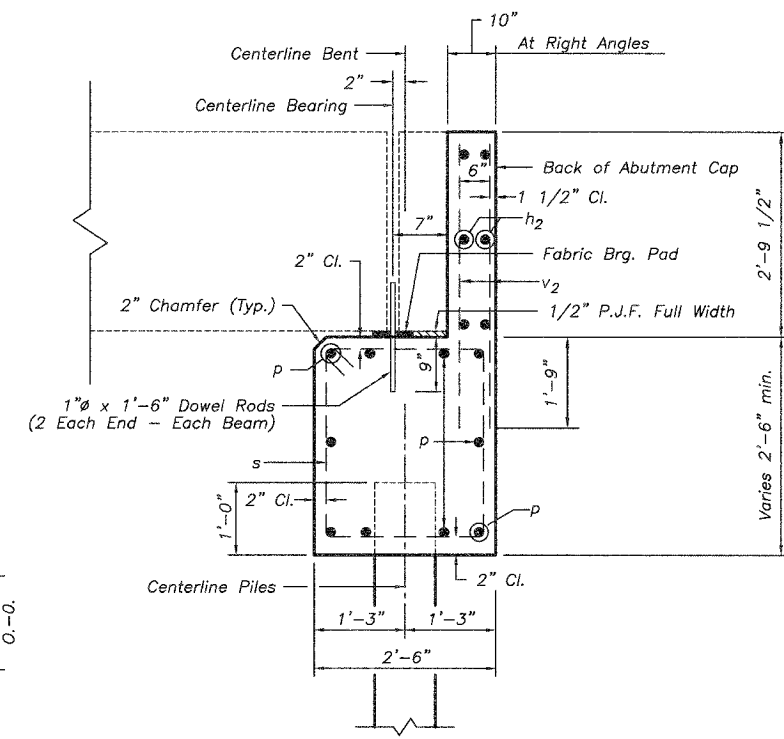
PROJECT NO.	EDITION	COUNTY	DATE	SHEET
E. 3150	*	BUREAU	15	7
FED. ROAD DIST. NO. 7	ALIGNED	FILE NO. PROJECT		

Sheet 4 of 9 Sheets

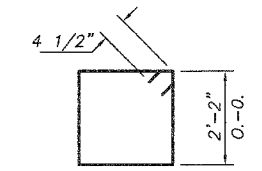
\* 04-04113-00-BR



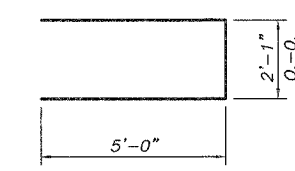
PLAN



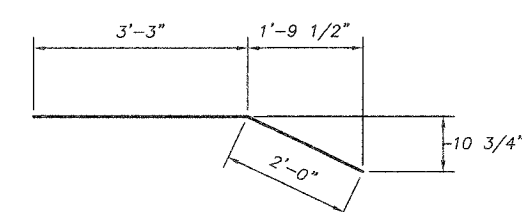
SECTION THRU ABUTMENT



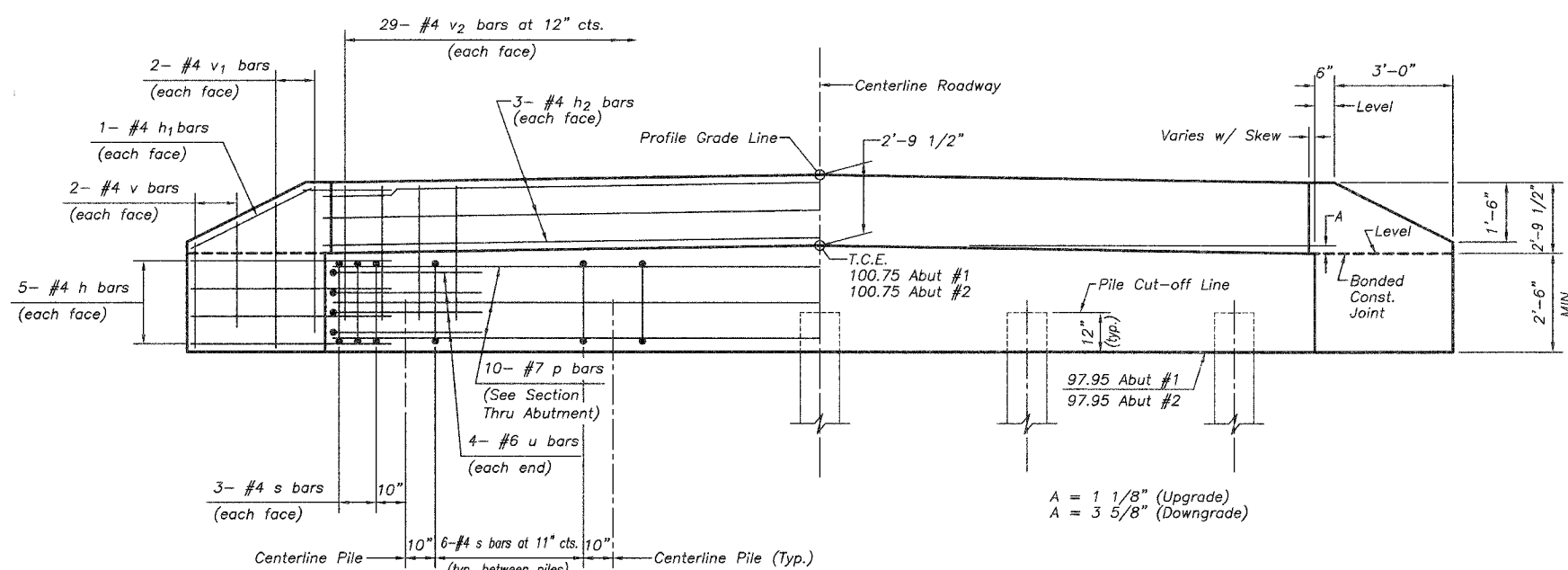
BAR s



BAR u



BAR h1



ELEVATION

PILE DATA

**Abutment No. 1** Type: Concrete  
Capacity: 39 Ton  
Est. Length: 43'  
No. Required: 4 Plus 1 Test Pile

**Abutment No. 2** Type: Concrete  
Capacity: 39 Ton  
Est. Length: 38'  
No. Required: 5

NOTES

- The Backwall and the portion of the Wingwalls above the bonded construction joint shall be cast against the in-place beam.
- After beams have been erected, holes shall be drilled into substructure and anchor dowels placed. Dowel holes shall be filled with non-shrink grout to top of beam.
- Space reinforcement in cap to miss anchor bolts.

BILL OF MATERIAL FOR ONE ABUTMENT				
Bar	No.	Size	Length	Shape
h	20	#4	5'-0"	
h <sub>1</sub>	4	#4	5'-3"	
h <sub>2</sub>	6	#4	29'-2"	
p	10	#7	29'-2"	
s	30	#4	9'-5"	□
u	8	#6	12'-1"	
v	8	#4	3'-8"	
v <sub>1</sub>	8	#4	4'-8"	
v <sub>2</sub>	58	#4	4'-5"	
Concrete Structures			Cu. Yd.	10.8
Reinforcement Bars			Pound	1340

ABUTMENT PLANS  
E. 3150 TH ROAD OVER PIKE CREEK  
SECTION 04-04113-00-BR  
BUREAU COUNTY  
STA. 10+00  
SN 006-4051