

SUMMARY OF QUANTITIES			
CODE NO	ITEM	CONSTRUCTION CODE	
		UNIT	QUANTITY
20300100	CHANNEL EXCAVATION	CU YD	370
28101700	RIPRAP, SPECIAL	TON	570
50100100	REMOVAL OF EXISTING STRUCTURES	EACH	1
50300225	CONCRETE STRUCTURES	CU YD	27.2
50400505	PRECAST PRESTRESSED CONCRETE DECK BEAMS (27" DEPTH)	SQ FT	3,510
50800105	REINFORCEMENT BARS	POUND	4,200
50900205	STEEL RAILING, TYPE S1	FOOT	266
51201400	FURNISHING STEEL PILES HP10X42	FOOT	240
51202700	DRIVING STEEL PILES	FOOT	140
51203400	TEST PILE STEEL HP10X42	EACH	1
51204315	CONCRETE ENCASEMENT	CU YD	5.2
51500100	NAME PLATES	EACH	1
63000000	STEEL PLATE BEAM GUARD RAIL, TYPE A	FOOT	50
63100075	TRAFFIC BARRIER TERMINAL, TYPE 5A	EACH	4
63100167	TRAFFIC BARRIER TERMINAL TYPE 1, SPECIAL (TANGENT)	EACH	4
63200310	GUARDRAIL REMOVAL	FOOT	304
67100100	MOBILIZATION	L SUM	1
78200400	GUARDRAIL REFLECTORS	EACH	8
78201000	TERMINAL MARKER - DIRECT APPLIED	EACH	4
Z0065000	SETTING PILES IN ROCK	EACH	5

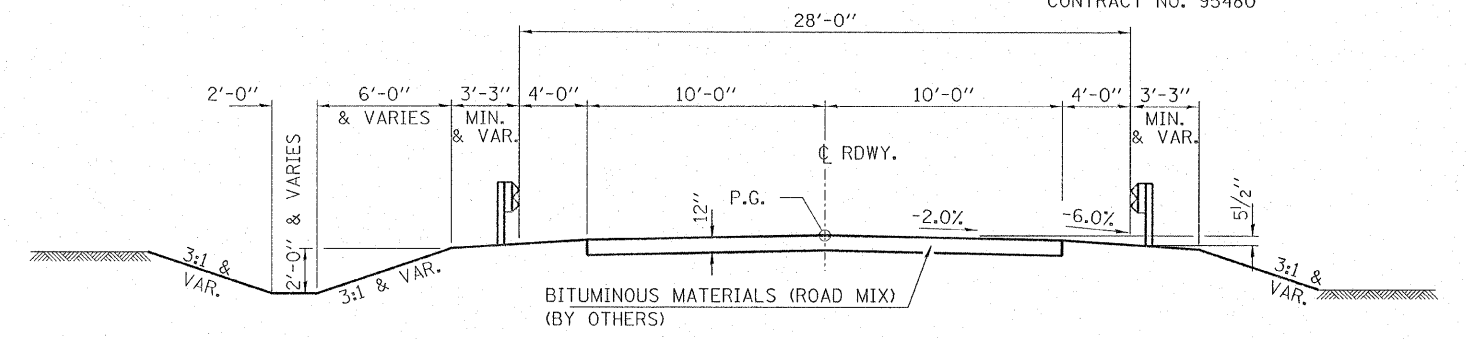
SEE SPECIAL PROVISIONS

**GENERAL NOTES**

- ALL WORK SHALL BE IN ACCORDANCE WITH THE "STANDARD SPECIFICATIONS FOR ROAD AND BRIDGE CONSTRUCTION," ADOPTED 1-1-02 (HEREINAFTER REFERRED TO AS THE STANDARD SPECIFICATIONS); THE "SUPPLEMENTAL SPECIFICATIONS AND RECURRING SPECIAL PROVISIONS," ADOPTED 1-1-05; THE LATEST EDITION OF THE "ILLINOIS MANUAL ON UNIFORM TRAFFIC CONTROL DEVICES FOR STREETS AND HIGHWAYS"; THE "DETAILS" IN THE PLANS AND THE "SPECIAL PROVISIONS" INCLUDED IN THE CONTRACT DOCUMENTS.
- ANY REFERENCE TO STANDARDS THROUGHOUT THE PLANS OR SPECIAL PROVISIONS SHALL BE INTERPRETED AS THE LATEST STANDARD OF THE DEPARTMENT.
- ALL TRAFFIC CONTROL AND OTHER ADVISORY SIGNS NEEDED FOR CONSTRUCTION ARE TO BE FURNISHED BY THE CONTRACTOR IN ACCORDANCE WITH SECTION 107.14 OF THE STANDARD SPECIFICATIONS
- THE CONTRACTOR SHALL BE RESPONSIBLE FOR CONTACTING THE OWNERS OF ALL UTILITIES PRIOR TO CONSTRUCTION TO DETERMINE THE LOCATION OF ALL UTILITY EQUIPMENT. THE CONTRACTOR SHALL COOPERATE WITH ALL UTILITY OWNERS AS PROVIDED FOR IN THE STANDARD SPECIFICATIONS IF UTILITY RELOCATION, ADJUSTMENT OR PROTECTION IS NECESSARY.
- THE LOCATION ON THE PLANS OF EXISTING DRAINAGE STRUCTURES, TELEPHONE LINES, ELECTRIC LINES AND WATER SERVICE LINES IS APPROXIMATE AND THEIR EXACT LOCATION SHALL BE DETERMINED IN THE FIELD BY THE CONTRACTOR AND THIS WORK SHALL BE CONSIDERED INCIDENTAL TO THE CONTRACT.
- THE CONTRACTOR SHALL BE RESPONSIBLE FOR THE PROTECTION OF ALL UNDERGROUND OR SURFACE UTILITIES EVEN THOUGH THEY MAY NOT BE SHOWN ON THE PLANS. ANY UTILITY THAT IS DAMAGED DURING CONSTRUCTION SHALL BE REPAIRED OR REPLACED TO THE SATISFACTION OF THE OWNER. THIS WORK SHALL BE THE CONTRACTOR'S EXPENSE.
- THE CONTRACTOR SHALL PROTECT AND CAREFULLY PRESERVE ALL SECTION OR SUBSECTION MONUMENTS, PROPERTY CORNERS AND REFERENCE MARKERS UNTIL THE OWNER, HIS AGENT OR A PROFESSIONAL LAND SURVEYOR HAS WITNESSED OR OTHERWISE REFERENCED THEIR LOCATIONS.
- THE CONTRACTOR SHALL PROVIDE ACCESS TO ABUTTING PROPERTY AT ALL TIMES DURING CONSTRUCTION OF THE PROJECT.
- SEEDING WILL BE DONE BY THE COUNTY IN ACCORDANCE WITH THE STANDARD SPECIFICATIONS.
- ALL TREE REMOVAL WILL BE DONE BY THE COUNTY IN ACCORDANCE WITH THE STANDARD SPECIFICATIONS.
- EARTH AND FURNISHED EXCAVATION WILL BE DONE BY COUNTY**

FOR INFORMATION ONLY - EARTHWORK SCHEDULE						
LOCATION	EARTH EXCAVATION (CU YD)	SHRINKAGE FACTOR	PERCENT USED	AVAILABLE EXCAVATION (CU YD)	EMBANKMENT REQUIRED (CU YD)	EARTHWORK BALANCE (CU YD)
STA. 7+75 TO STA. 9+34.25	80	25%	100%	60	177	-116
STA. 9+34.25 TO STA. 10+65.25	-	25%	100%	-	-	-
STA. 10+65.25 TO STA. 12+00	452	25%	100%	339	480	-144
CHANNEL EXCAVATION ENTRANCES	370	25%	70%	194	-	194
TOTAL	533			594	657	-63

\* AVAILABLE EXCAVATION = EXC. x (1-SHRINKAGE FACTOR) x % USED (FURN. EXC.)



SUGGESTED CUT SECTION  
CONSTRUCT AS SHOWN IN  
STATION CROSS SECTIONS

SUGGESTED FILL SECTION  
CONSTRUCT AS SHOWN IN  
STATION CROSS SECTIONS

ROAD CLASSIFICATION - COLLECTOR ADT 0-250  
CURRENT ADT 175  
DESIGN SPEED: 40 M.P.H.

**TYPICAL CROSS SECTION - (BY OTHERS)**  
STA. 7+75 TO 12+50

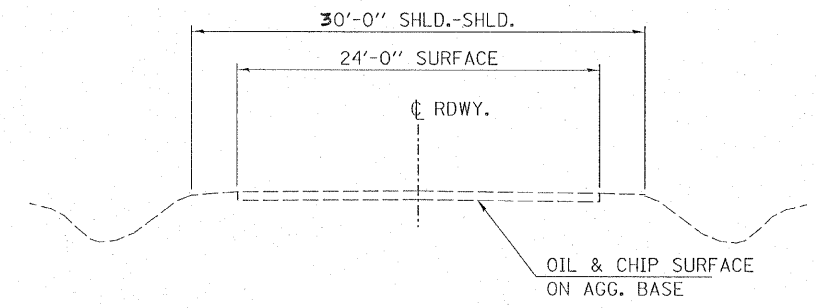
TRANSITION FROM THE PROPOSED ROADWAY TO THE EXISTING ROADWAY IS TO BE CONSTRUCTED FROM STA. 7+75 TO 8+25 AND STA. 12+00 TO 12+50. SEE SHEET 8 FOR TRANSITION AT BRIDGE. (TO BE CONSTRUCTED BY CLARK COUNTY)

GUARDRAIL REMOVAL	
LOCATION	FOOT
16' RT. STA. 8+66.1 TO 11' RT. STA. 9+42.0	76
18' LT. STA. 8+78.1 TO 11' LT. STA. 9+53.7	76
11' RT. STA. 10+32.4 TO 18' RT. STA. 11+08.8	76
11' LT. STA. 10+44.2 TO 16' LT. STA. 11+20.4	76
TOTAL	304

TRAFFIC BARRIER TERMINAL, TYPE 5A	
LOCATION	EACH
RT. STA. 9+15.25 TO STA. 9+28.50	1
LT. STA. 9+25.08 TO STA. 9+38.33	1
RT. STA. 10+61.67 TO STA. 10+74.92	1
LT. STA. 10+71.50 TO STA. 10+84.75	1
TOTAL	4

STEEL PLATE BEAM GUARD RAIL, TYPE A	
LOCATION	FOOT
RT. STA. 8+90.25 TO STA. 9+15.25	25
LT. STA. 10+84.75 TO STA. 11+09.75	25
TOTAL	50

TRAFFIC BARRIER TERMINAL, TY 1, SPL (TANG)	
LOCATION	EACH
RT. STA. 8+40.25 TO STA. 8+90.25	1
LT. STA. 8+75.08 TO STA. 9+25.08	1
RT. STA. 10+74.92 TO STA. 11+24.92	1
LT. STA. 11+09.75 TO STA. 11+59.75	1
TOTAL	4



**EXISTING CROSS SECTION**

**HAMPTON, LENZINI & RENWICK, INC.**  
CIVIL & STRUCTURAL ENGINEERS

**ILR** 3085 STEVENSON DRIVE, SUITE 201  
SPRINGFIELD, ILLINOIS 62703  
(217) 546-3400

ELGIN • SPRINGFIELD • DUQUOIN

PROJECT NUMBER: 12-23-0025-1 DATE: 05/10/06  
DESIGNED: J.W.F. CHECKED: S.W.M. DRAWN: D.T.M.

**SUMMARY OF QUANTITIES  
AND TYPICAL SECTIONS**  
SECTION 05-00261-00-BR  
C.H. 22 / F.A.S. 690 / FOX ROAD  
CLARK COUNTY