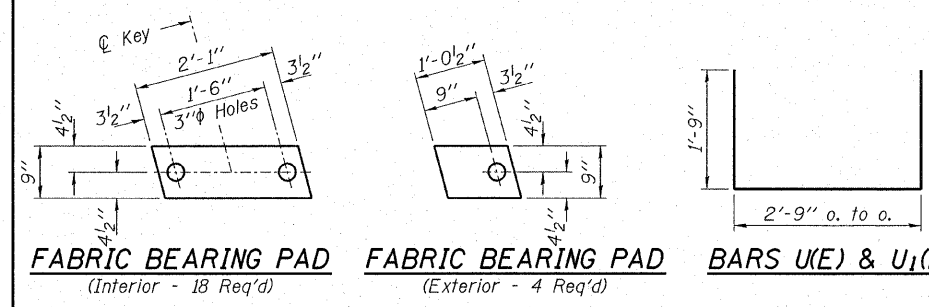
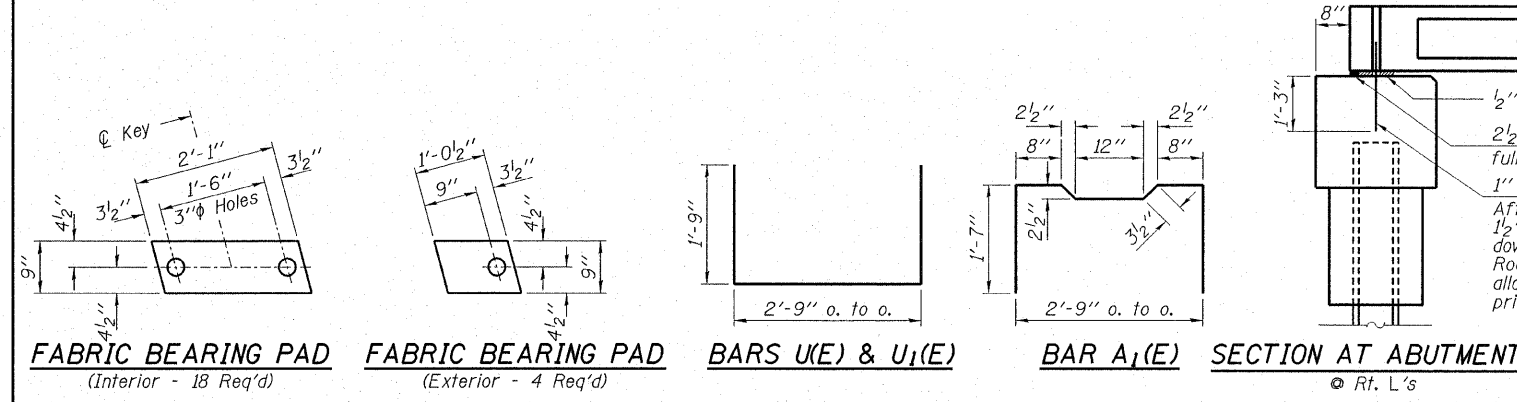
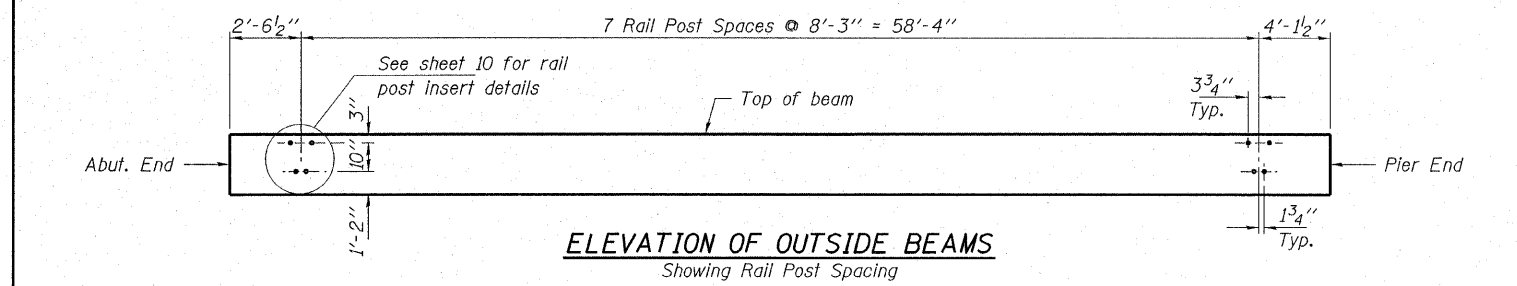
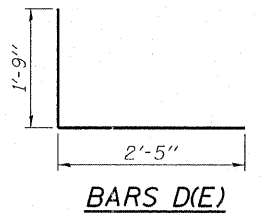
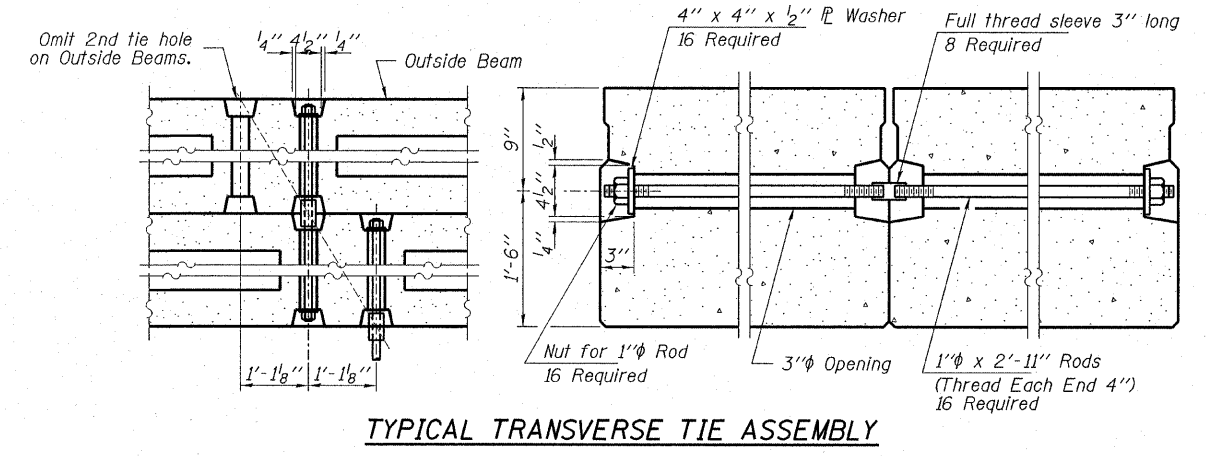
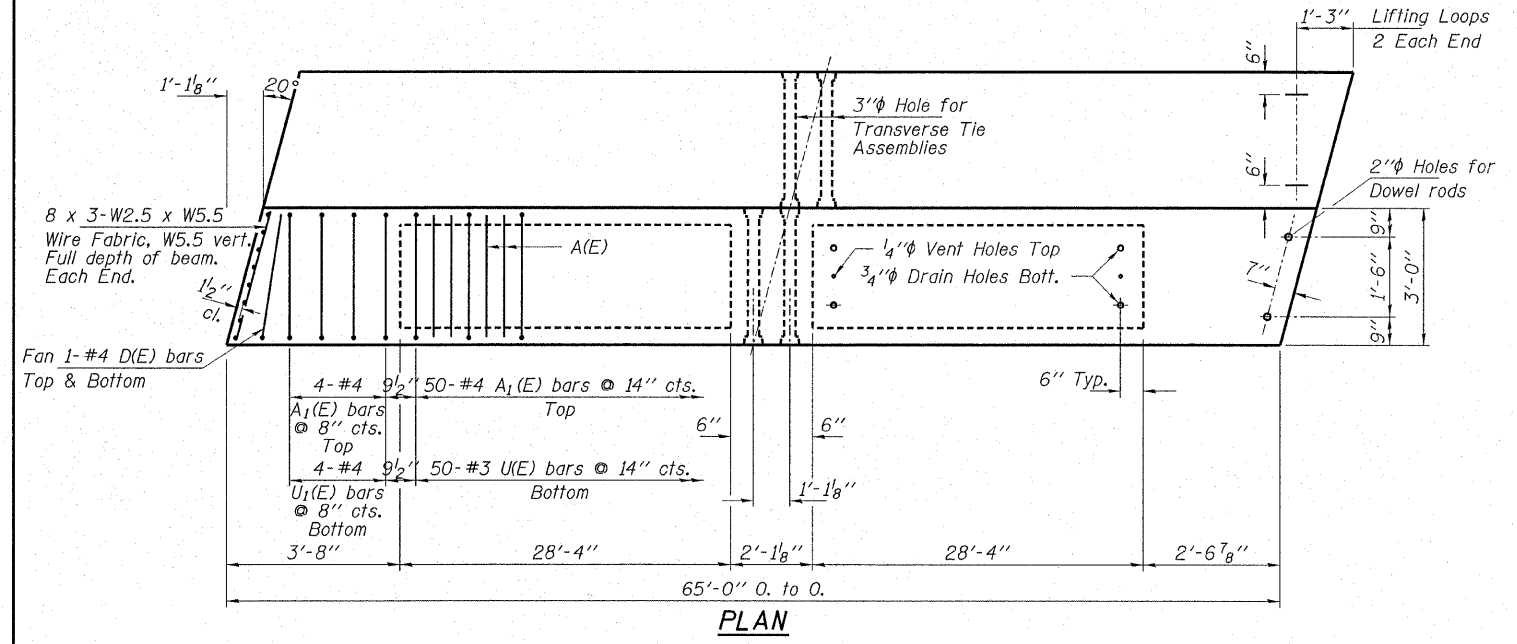
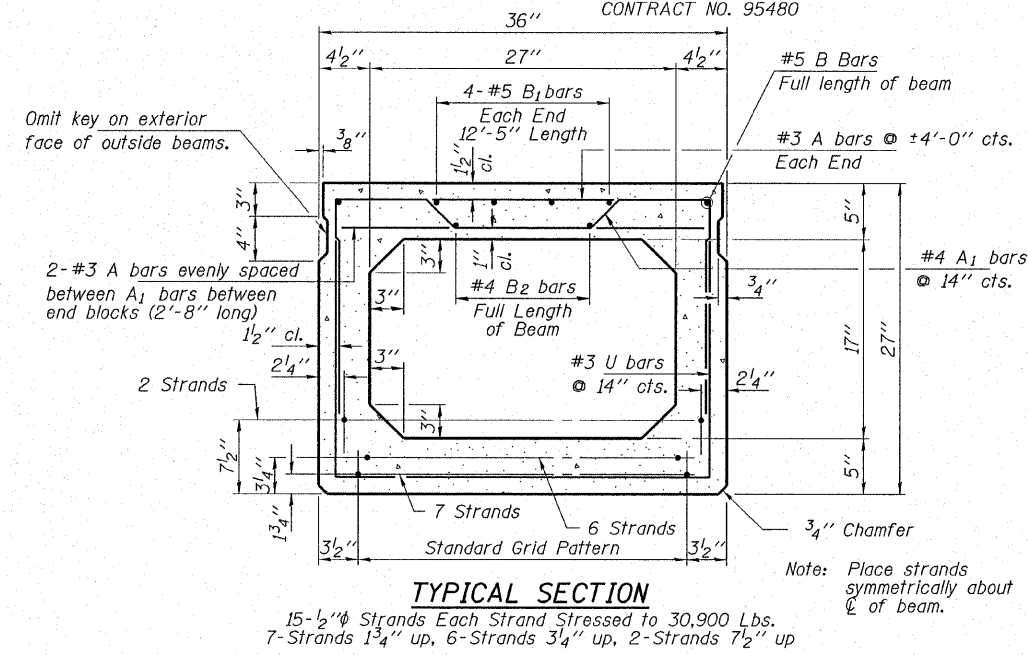
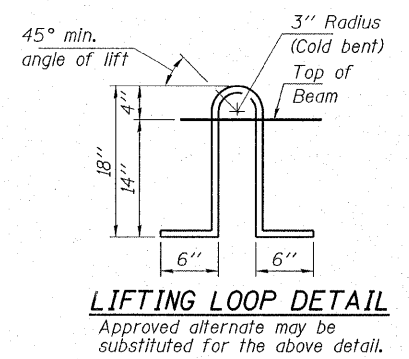
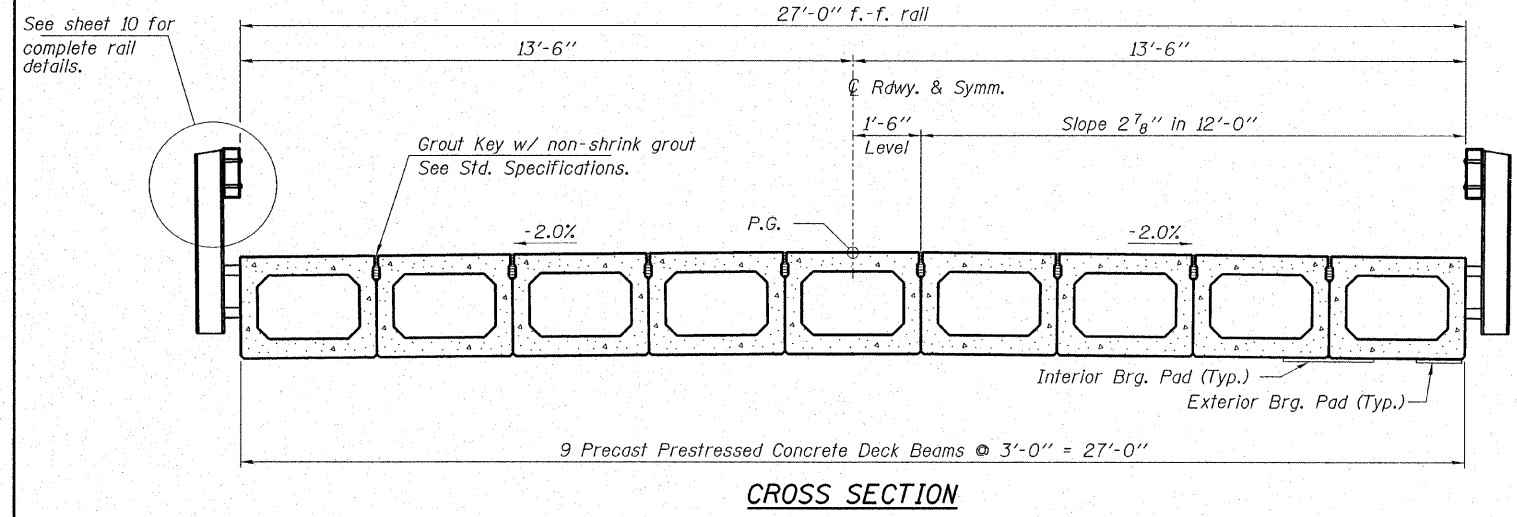


ROUTE NO.	SECTION	COUNTY	SHEET	SHEET
F.A.S. 690	05-00261-00-BR	CLARK	14	9
FED. ROAD DIST. NO.		ILLINOIS	FED. AID PROJECT-	
CONTRACT NO. 95480				



NOTES

Prestressing steel shall be uncoated high strength, low relaxation 7-wire strand, Grade 270. The nominal diameter shall be 1/2" and the nominal cross-sectional area shall be 0.153 sq. in. Lifting loops shall be 2-1/2" phi-270 ksi strands, as shown.

The 1" rods in the transverse tie assembly shall be tightened to a snug fit and the threads set. Pockets that receive transverse tie bar on outside shall be filled with grout after transverse tie assembly is in place.

Reinforcement bars shall conform to the requirements of AASHTO M-31 or M-322 Grade 60. The bearing seat surfaces shall be adjusted by shimming to assure firm and even bearing. Two 8" fabric adjusting shims of the dimensions of the Exterior Bearing Pad shall be provided for each bearing.

Keyway surfaces shall be cleaned to remove form oil or other bond breaking material prior to shipment of the beams. Cleaning shall be done by sandblasting the keyway areas between top of the beam and the bottom edge of the key.

Require Release Strength, f'cl, shall be 4,000 p.s.i.

BILL OF MATERIAL

ITEM	UNIT	QUANTITY
Precast Prestressed Concrete Deck Beams (27" Depth)	Sq. Ft.	3,510

HAMPTON, LENZINI & RENWICK, INC.
CIVIL & STRUCTURAL ENGINEERS

ELGIN • SPRINGFIELD • DUQUOIN

3085 STEVENSON DRIVE, SUITE 201
SPRINGFIELD, ILLINOIS 62703
(217) 546-3400

SUPERSTRUCTURE
SECTION 05-00261-00-BR
F.A.S. 690 / C.H. 22 / FOX ROAD
CLARK COUNTY
STRUCTURE NO. 012-3333 / STATION 10+00

PROJECT NUMBER: 12-23-0025-1 DATE: 05/10/06
DESIGNED: J.W.F. CHECKED: S.W.M. DRAWN: D.T.M.