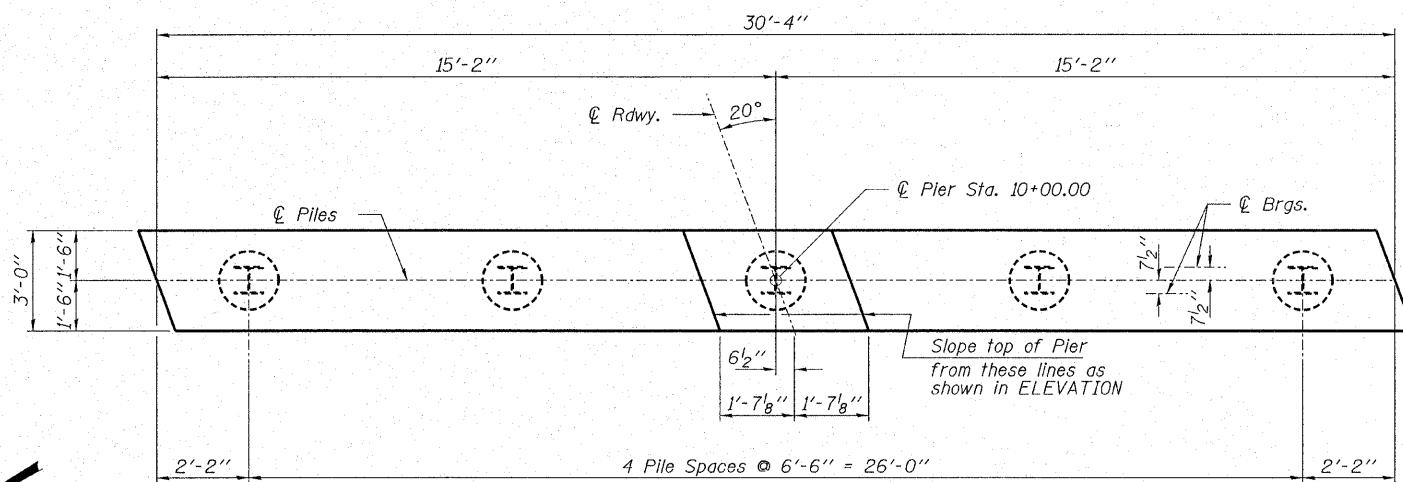
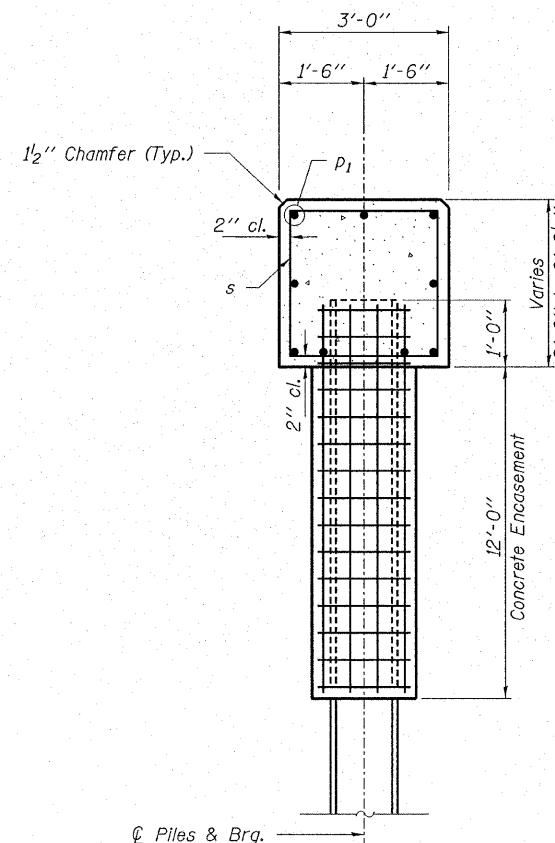


ROUTE NO.	SECTION	COUNTY	TOTAL SHEETS	SHEET NO.
F.A.S. 690	05-00261-00-BR	CLARK	14	13
FED. ROAD DIST. NO.		ILLINOIS	FED. AID PROJECT	

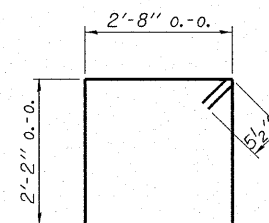
CONTRACT NO. 95480



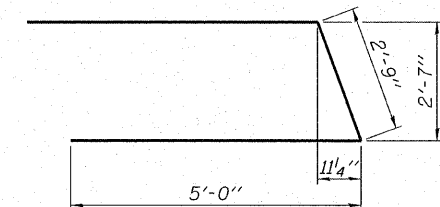
PLAN



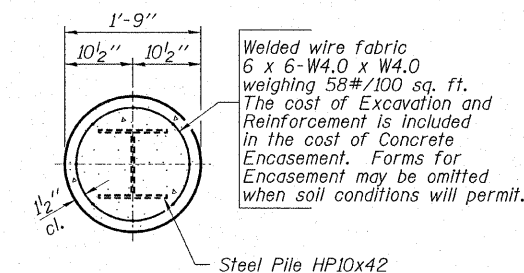
SECTION A-A



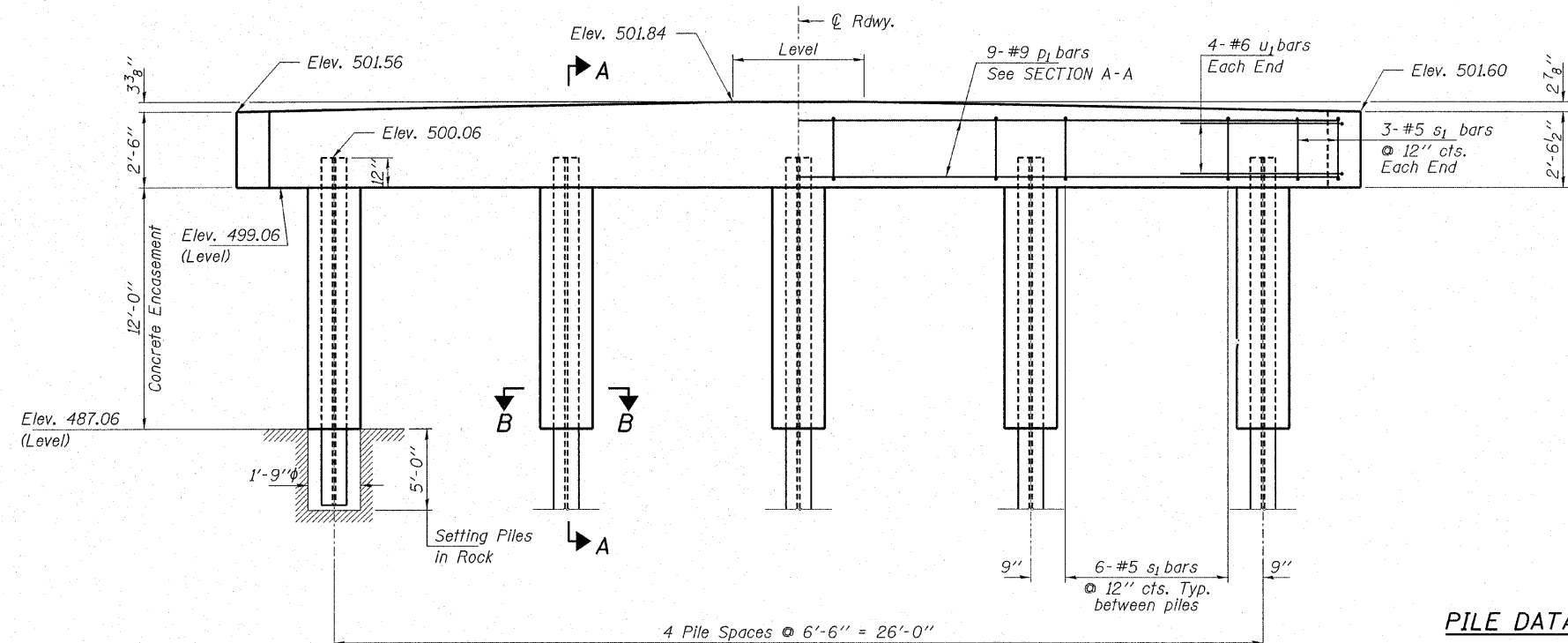
BAR s1



BAR u1



SECTION B-B



ELEVATION
(Looking North)

PILE DATA

Type.....	Steel HP10x42
No. Req'd.....	5
Design Capacity.....	56 Tons/Pile
Est. Length.....	20 Feet/Pile

BILL OF MATERIAL - 1 PIER

BAR	NO.	SIZE	LENGTH	SHAPE
p1	9	#9	30'-0"	—
s1	30	#5	10'-7"	□
u1	8	#6	12'-9"	U
Concrete Structures			Cu. Yd.	9.0
Reinforcement Bars			Pound	1,400
Furnishing Steel Piles HP10x42			Foot	100
Concrete Encasement			Cu. Yd.	5.2
Setting Piles in Rock			Each	5

HAMPTON, LENZINI & RENWICK, INC.
CIVIL & STRUCTURAL ENGINEERS

HLR

3085 STEVENSON DRIVE, SUITE 201
SPRINGFIELD, ILLINOIS 62703
(217) 546-3400

ELGIN • SPRINGFIELD • DUQUOIN

PROJECT NUMBER: 12-23-0025-1 DATE: 05/10/06
DESIGNED: J.W.F. CHECKED: S.W.M. DRAWN: D.T.M.

PIER

SECTION 05-00261-00-BR

F.A.S. 690 / C.H. 22 / FOX ROAD

CLARK COUNTY

STRUCTURE NO. 012-3333 / STATION 10+00