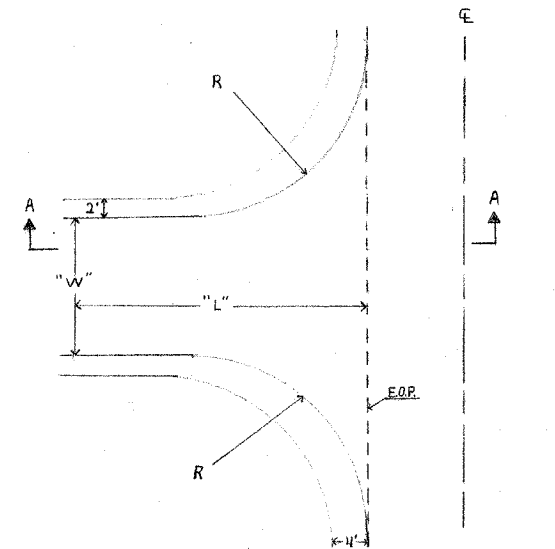


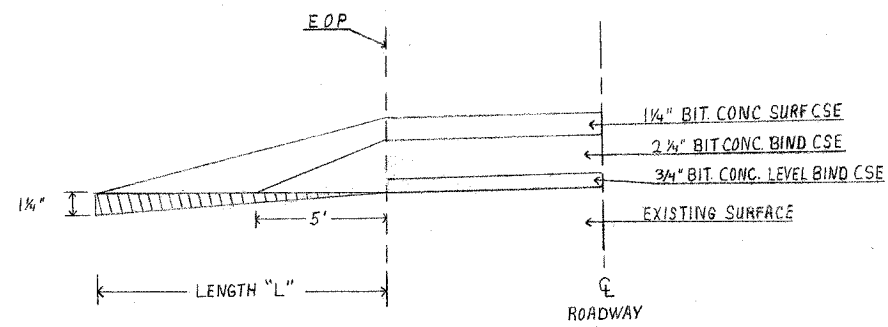
PROPOSED TYPICAL SIDEROAD



SIDEROAD DIMENSIONS

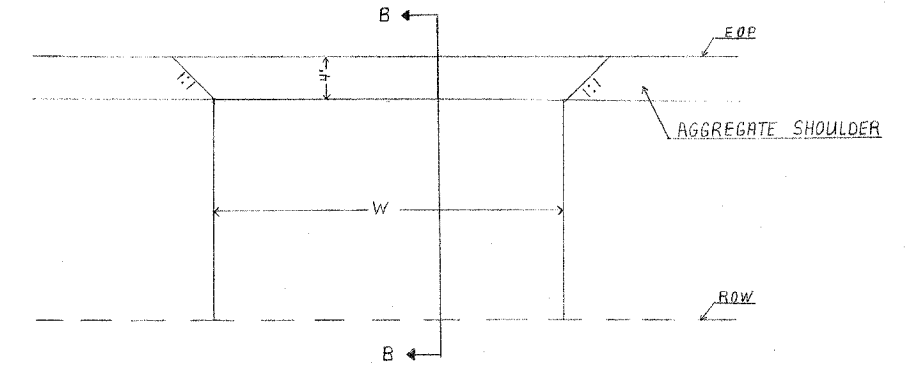
| LOCATION | WIDTH "W" | LENGTH "L" | RADIUS "R" |
|------------------------|-----------|------------|------------|
| SIDEROAD #1 STA 185+04 | 24 | 25 | 20 |
| SIDEROAD #2 STA 224+66 | 22 | 25 | 20 |
| SIDEROAD #3 STA 227+71 | 22 | 30 | 25 |

SECTION A-A

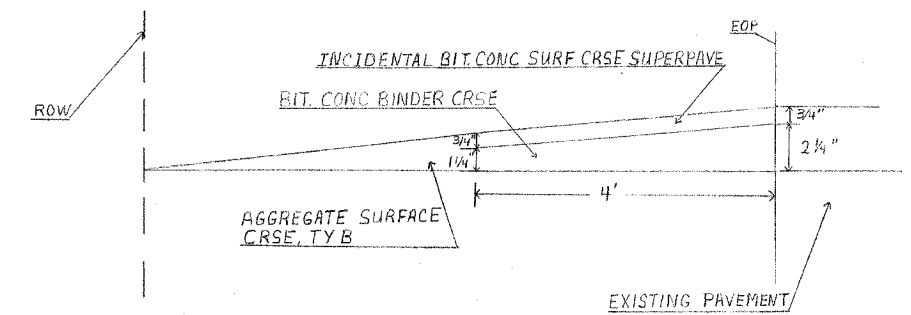


MILLED AREA

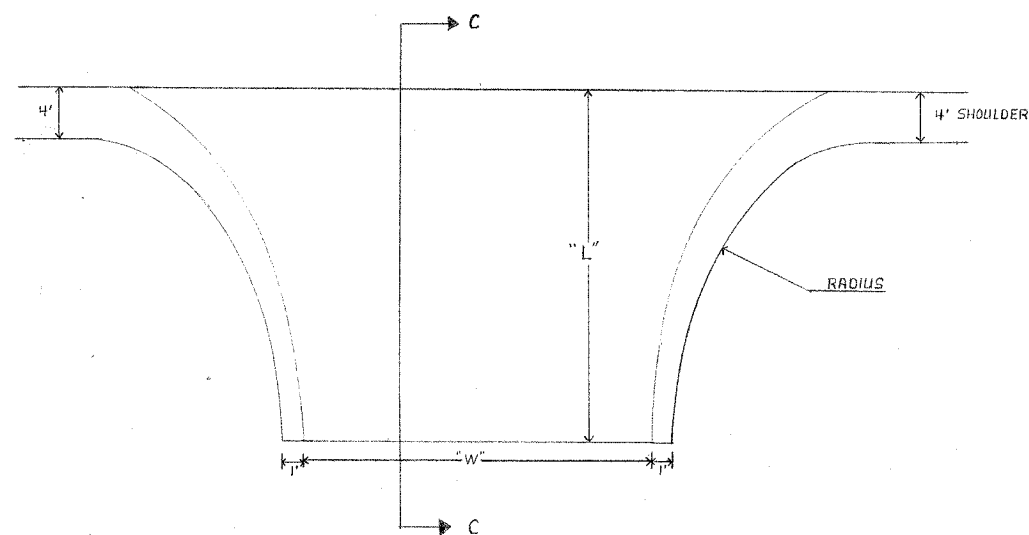
PROPOSED TYPICAL FIELD ENTRANCE



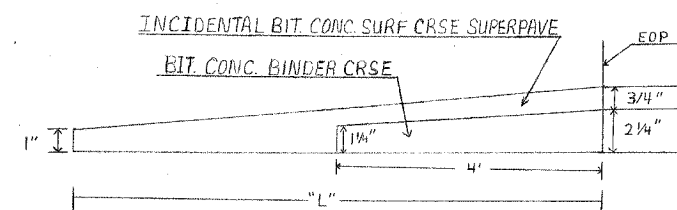
SECTION B-B



PROPOSED TYPICAL PRIVATE ENTRANCE



SECTION C-C



SIDEROAD & ENTRANCE DETAILS

| | | |
|-----------------|--------------|---------------|
| SCALE: | APPROVED BY: | DRAWN BY: CML |
| DATE: | REVISION: | REVISION: |
| DRAWING NUMBER: | | |