

F.A. RTE	SECTION	COUNTY	TOTAL SHEETS	SHEET NO
	HSIP 2023-01	VARIOUS	19	1
ILLINOIS			CONTRACT NO 70G26	

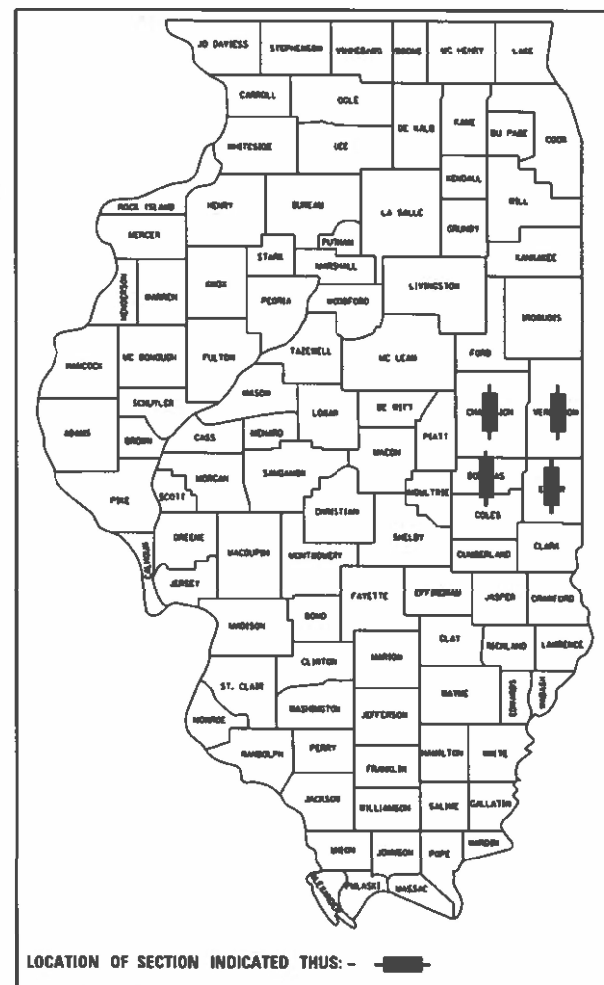
STATE OF ILLINOIS
DEPARTMENT OF TRANSPORTATION
DIVISION OF HIGHWAYS

**PROPOSED
HIGHWAY PLANS**

VARIOUS ROUTES
SECTION: HSIP 2023-01
PROJECT: HSIP-D5CK(950)
SAFETY - LIGHTING UPGRADES
VARIOUS COUNTIES

FOR INDEX OF SHEETS, SEE SHEET NO.2
FOR SUMMARY OF QUANTITIES SEE SHEETS NO.3-4

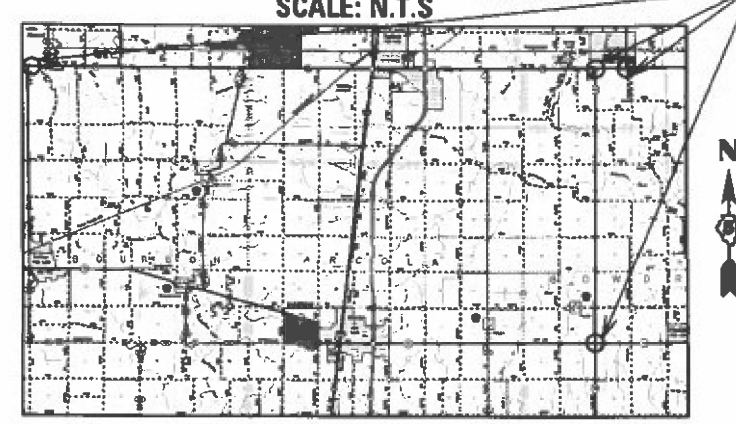
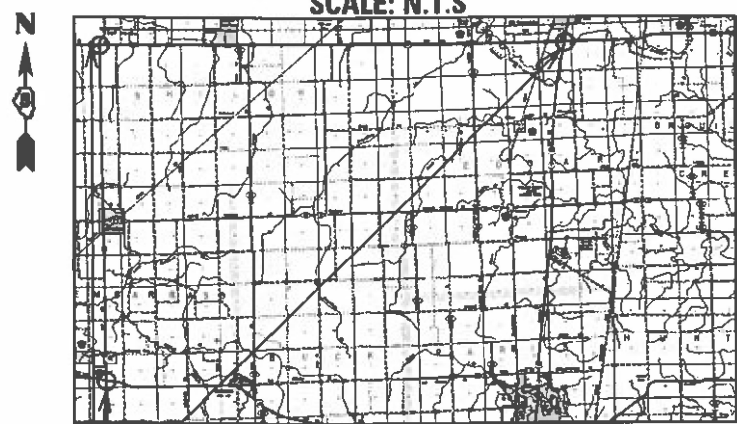
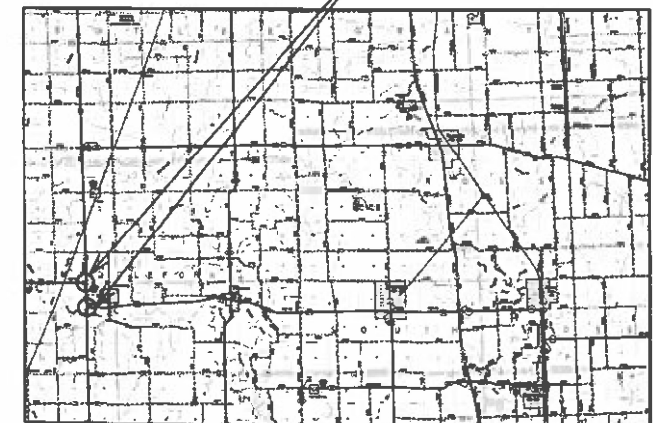
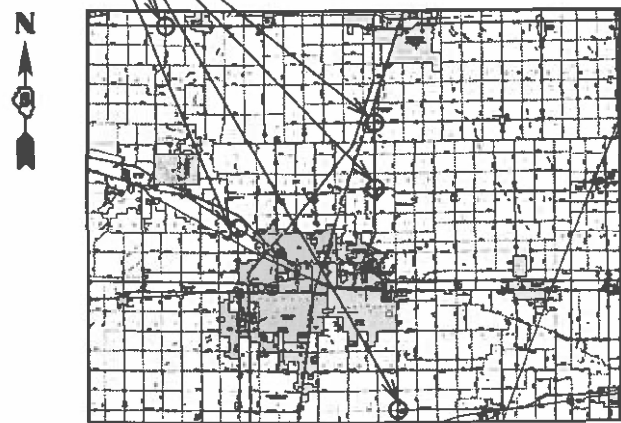
D-95-035-22



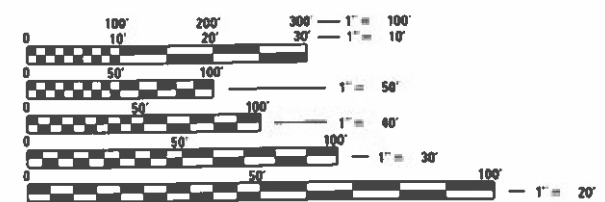
CHAMPAIGN COUNTY
LOCATIONS

VERMILION COUNTY
LOCATIONS

C-95-071-22



DOUGLAS COUNTY
LOCATIONS



FULL SIZE PLANS HAVE BEEN PREPARED USING STANDARD ENGINEERING SCALES. REDUCED SIZED PLANS WILL NOT CONFORM TO STANDARD SCALES. IN MAKING MEASUREMENTS ON REDUCED PLANS, THE ABOVE SCALES MAY BE USED.

J.U.L.I.E.
JOINT UTILITY LOCATION INFORMATION FOR EXCAVATION
1-800-892-0123
OR 811

PROJECT ENGINEER JEFFERY ALLEN
TELEPHONE: (217) 465-4181
PROJECT MANAGER DAVID JAYME
CONTRACT NO. 70G26

EDGAR COUNTY
LOCATIONS

LOCATION MAPS

TranSmart
100 S. Wacker Drive Suite 400
Chicago, Illinois 60606

STATE OF ILLINOIS
DEPARTMENT OF TRANSPORTATION
DIVISION OF HIGHWAYS

SUBMITTED 6/20 2023
Kemila Barnette
REGIONAL ENGINEER

August 18, 2023
Steph A. Etk
ENGINEER OF DESIGN AND ENVIRONMENT

August 18, 2023
Steph M. Faria
DIRECTOR OF HIGHWAYS PROJECT IMPLEMENTATION

PRINTED BY THE AUTHORITY
OF THE STATE OF ILLINOIS

PRINTED DATE: 8/08/23
FILE NAME: 7/16/23

GENERAL NOTES

G.N.- 105.07C

EXISTING STATE-OWNED AND MAINTAINED UNDERGROUND UTILITY FACILITIES EXIST WITHIN THE ROW. THE DEPARTMENT IS NOT A MEMBER OF JULIE AND DOES NOT LOCATE ITS OWN FACILITIES. THE CONTRACTOR SHALL BE RESPONSIBLE AT THEIR OWN EXPENSE FOR SECURING AN APPROVED LOCATING FIRM TO LOCATE ALL EXISTING IDOT UNDERGROUND FACILITIES PRIOR TO COMMENCING ANY EXCAVATION, PER THE REQUIREMENTS OF ARTICLE 803 OF THE STANDARD SPECIFICATIONS. UTILITY LOCATES MAY ALSO BE REQUIRED OUTSIDE THE PROJECT LIMITS, SUCH AS FOR TRAFFIC CONTROL SIGNING AND OTHER ITEMS THE CONTRACTOR MAY OBTAIN, ON REQUEST, PLANS OF EXISTING ELECTRICAL FACILITIES FROM THE DEPARTMENT. FOR FURTHER INFORMATION, THE CONTRACTOR MAY CONTACT THE DISTRICT TRAFFIC OPERATIONS ENGINEER, GARY SIMS, AT 217-251-4859.

THE CONTRACTOR SHALL ALSO BE RESPONSIBLE FOR LOCATING AND PROVIDING PROTECTION FOR FACILITIES DURING ALL PHASES OF CONSTRUCTION. IF, AT ANY TIME, THE FACILITIES ARE DAMAGED, THE CONTRACTOR SHALL IMMEDIATELY NOTIFY THE DEPARTMENT AND MAKE ALL NECESSARY ARRANGEMENTS FOR REPAIR TO THE SATISFACTION OF THE ENGINEER. THIS WORK SHALL BE INCLUDED IN THE CONTRACT BID PRICE AND NO ADDITIONAL COMPENSATION WILL BE ALLOWED.

G.N.- 202 SPL

GRADING SHALL BE DONE BY HAND AROUND LIGHT POLES, LIGHT TOWERS OR OTHER OBJECTS WHERE SHALLOW FILLS OR CUTS ARE ADJACENT TO THE ITEMS. IT IS THE INTENT TO PRESERVE THE AREA IN THE ORIGINAL STATE AS MUCH AS POSSIBLE. THE DECISION AS TO WHAT ITEMS TO REMAIN IN PLACE SHALL BE AS DIRECTED BY THE ENGINEER.

THIS WORK WILL NOT BE PAID FOR SEPARATELY, BUT SHALL BE CONSIDERED INCLUDED IN THE CONTRACT UNIT PRICE EACH FOR LIGHT POLE OR REMOVAL ITEMS AND NO ADDITIONAL COMPENSATION WILL BE ALLOWED.

MISC. ELECTRICAL GENERAL NOTES

1. THE CONTRACTOR IS RESPONSIBLE FOR UNCOVERING OR HAND DIGGING AROUND UTILITIES AS NECESSARY. THE COST OF THIS WORK IS TO BE INCLUDED WITH THE APPLICABLE UNDERGROUND CONDUIT OR UNIT DUCT PAY ITEM.

INDEX OF SHEETS

SHEET NO.	DESCRIPTION
1.	COVER SHEET
2.	GENERAL NOTES, INDEX OF SHEETS AND LIST OF STANDARDS
3.	SUMMARY OF QUANTITIES
4.	US-45 – LEVERETT RD PLAN SHEET
5.	US-45 – FLATVILLE RD PLAN SHEET
6.	IL-130 – CR 1000-SIDNEY RD PLAN SHEET
7.	US-136 – IL-47 PLAN SHEET
8.	US-150 – STALEY RD PLAN SHEET
9.	US-36 – IL – 130 (N) PLAN SHEET
10.	US-36 – IL-130(S) PLAN SHEET
11.	IL-130 – IL-133 PLAN SHEET
12.	US-36 – ARTHUR-ATWOOD RD PLAN SHEET
13.	US-36 – IL-49 PLAN SHEET
14.	IL-49 – IL-133 PLAN SHEET
15.	US-36 – IL-1 PLAN SHEET
16.	US-136 - IL-49 (N) PLAN SHEET
17.	US-136 – IL-49 (S) PLAN SHEET
18.	LUMINAIRE PERFROMANCE TABLE
19.	NIGHT TIME INSPECTION OF ROADWAY LIGHTING

LIST OF STANDARDS

STANDARD NO.	NAME OF STANDARD
701006-05	OFF-ROAD OPERATIONS, 2L, 2W, 15' (4.5 m) TO 24" (600 mm) FROM PAVEMENT EDGE
701101-05	OFF-ROAD OPERATIONS, MULTILANE, 15' (4.5 m) TO 24" (600 mm) FROM PAVEMENT EDGE
701201-05	LANE CLOSURE, 2L, 2W, DAY ONLY, FOR SPEEDS > 45 MPH
701301-04	LANE CLOSURE, 2L, 2W, SHORT TIME OPERATIONS
701421-08	LANE CLOSURE, MULTILANE, DAY OPERATIONS ONLY, FOR SPEEDS >= 45 MPH TO 55 MPH
701701-10	URBAN LANE CLOSURE, MULTILANE INTERSECTION
821101-02	LUMINAIRE WIRING IN POLE
825001-04	LIGHTING CONTROLLER POLE MOUNTED, 240V
830006-05	LIGHT POLE ALUMINUM DAVIT ARM
836001-04	LIGHT POLE FOUNDATION
838001-01	BREAKAWAY DEVICES
000001-08	STANDARD SYMBOLS, ABBREVIATIONS AND PATTERNS
001006	DECIMAL OF AN INCH AND OF A FOOT
701901-08	TRAFFIC CONTROL DEVICES

* CHAMPAIGN, DOUGLAS, PIATT, EDGAR, & VERMILION

MODEL: 1400BELNAMES
FILE NAME: 0715

USER NAME = \$USERS	DESIGNED - MT	REVISED -
	DRAWN - PS	REVISED -
PLOT SCALE = \$SCALE\$	CHECKED - WS	REVISED -
PLOT DATE = \$DATE\$	DATE - 06/02/2023	REVISED -

**STATE OF ILLINOIS
DEPARTMENT OF TRANSPORTATION**

GENERAL NOTES, INDEX OF SHEETS, AND LIST OF STANDARDS

SCALE: SHEET OF SHEETS STA. TO STA.

F.A. RTE.	SECTION	COUNTY	TOTAL SHEETS	SHEET NO.
		VARIOUS	19	2
CONTRACT NO. 70G26				
ILLINOIS FED. AID PROJECT				

SUMMARY OF QUANTITIES

LOCATION OF WORK: VARIOUS LOCATIONS
 RURAL
 LIGHTING
 VARIOUS COUNTIES

FUNDING BREAKDOWN: 100% STATE

CONSTRUCTION TYPE CODE: 0021

CODE NO.	ITEM	UNIT	TOTAL QUANTITY
67100100	MOBILIZATION	L SUM	1
* 66900200	NON-SPECIAL WASTE DISPOSAL	CU YD	15
* 66900530	SOIL DISPOSAL ANALYSIS	EACH	5
* 66901001	REGULATED SUBSTANCE PRECONSTRUCTION PLAN	L SUM	1
* 66901003	REGULATED SUBSTANCES FINAL CONSTRUCTION REPORT	L SUM	1
* 66901006	REGULATED SUBSTANCES MONITORING	CAL DAY	11
70100310	TRAFFIC CONTROL & PROTECTION 701421	L SUM	1
70100450	TRAFFIC CONTROL & PROTECTION 701201	L SUM	1
70102635	TRAFFIC CONTROL & PROTECTION 701701	L SUM	1
80400100	ELECTRIC SERVICE INSTALLATION	EACH	14
81028750	UNDERGROUND CONDUIT, COILABLE NONMETALLIC CONDUIT, 2" DIA.	FOOT	3,380
81603000	UNIT DUCT, 600V, 2-1C NO.8, 1/C NO.8 GROUND, (XLP-TYPE USE), 3/4" DIA. POLYETHYLENE	FOOT	17,935
* DENOTES SPECIALTY ITEM			

CODE NO.	ITEM	UNIT	TOTAL QUANTITY
82110005	LUMINARE, LED, ROADWAY, OUTPUT DESIGNATION E	EACH	140
82500310	LIGHTING CONTROLLER, POLE MOUNTED, 240V, 60AMP	EACH	14
83001600	LIGHT POLE, ALUMINUM, 35 FT. M.H., 15 FT. DAVIT ARM	EACH	140
83600356	LIGHT POLE FOUNDATION, METAL, 15" BOLT CIRCLE 8 5/8" X6"	EACH	140
83800650	BREAKAWAY DEVICE, COUPLING WITH STAINLESS STEEL SCREEN	EACH	560
84200600	REMOVAL OF LIGHTING UNIT, NO SALVAGE	EACH	11
84200804	REMOVAL OF POLE FOUNDATION	EACH	11
84500110	REMOVAL OF LIGHTING CONTROLLER	EACH	3
84500120	REMOVAL OF ELECTRIC SERVICE INSTALLATION	EACH	3
84500130	REMOVAL OF LIGHTING CONTROLER FOUNDATION	EACH	3
89502300	REMOVE ELECTRIC CABLE FROM CONDUIT	FOOT	1,290
Z0013798	CONSTRUCTION LAYOUT	LSUM	1
* DENOTES SPECIALTY ITEM			

MODEL: I:\MODEL\MMF5
 FILE: MMF5_Plan\Illum\Illum.bentley.com\FWIDOT\Documents\DOT\Office\Dir\dir: S:\Project\057026\057026\CAD\Drawings\Drawings\Schedule of Quantities.dgn

USER NAME = Justin.Cearlock	DESIGNED - MT	REVISED -
PLOT SCALE = 100,0000 ' / in.	DRAWN - PS	REVISED -
PLOT DATE = 8/14/2023	CHECKED - WS	REVISED -
	DATE - 06/02/2023	REVISED -

**STATE OF ILLINOIS
DEPARTMENT OF TRANSPORTATION**

SUMMARY OF QUANTITIES

SCALE: SHEET OF SHEETS STA. TO STA.

F.A. RTE.	SECTION	COUNTY	TOTAL SHEETS	SHEET NO.
		VARIOUS	19	3
CONTRACT NO. 70G26				
ILLINOIS FED. AID PROJECT				

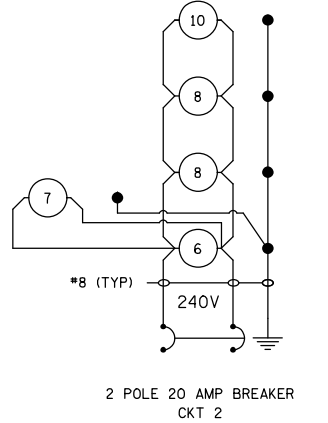
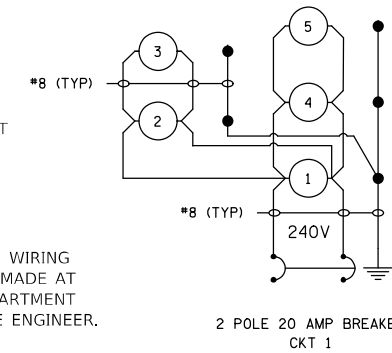
NOTES:

- 2" DIA. CONDUIT TO BE BORED UNDER PAVEMENT.
- THE CONTRACTOR SHALL SET POLES 15' BEHIND THE EDGE OF TRAVELED PAVEMENT.
- NO POLE TO BE INSTALLED IN THE FLOWLINE OF DITCH. POLE SETBACK TO BE ADJUSTED IF NECESSARY AS DIRECTED BY THE ENGINEER.
- THE UTILITIES SHOWN ON THIS DRAWING ARE FOR REFERENCE ONLY AND ARE TO MAKE THE CONTRACTOR AWARE THAT THERE ARE EXISTING UTILITIES IN THE AREA. THE LOCATIONS OF THE UTILITIES SHOWN WERE PROVIDED BY IDOT, ARE APPROXIMATIONS AND ARE NOT TO BE SCALED OFF THE DRAWINGS AND UTILIZED FOR CONSTRUCTION PURPOSES. THE CONTRACTOR IS RESPONSIBLE FOR CONTACTING EACH LOCAL UTILITY AND REQUESTING A FIELD LOCATE OF THE UTILITY'S EXISTING FACILITIES IN THE CONSTRUCTION AREA PRIOR TO BEGINNING ANY WORK.
- THE CONTRACTOR SHALL INSTALL THE PROPOSED SERVICE POLE A MINIMUM OF 3 FT INSIDE THE IDOT ROW LINE.

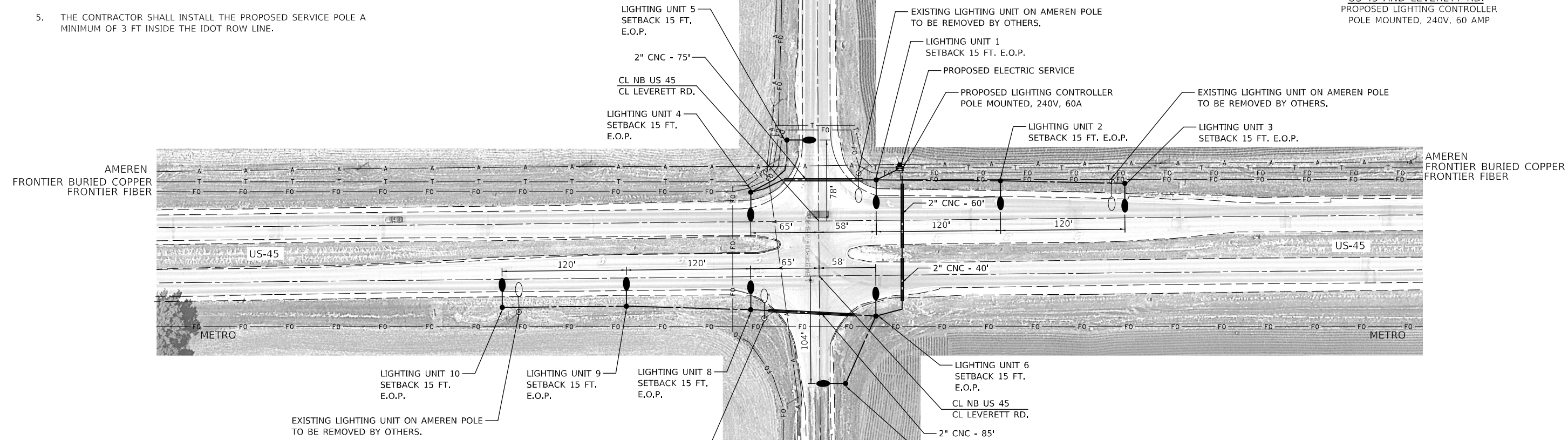
LEGEND:

- ① PROPOSED LIGHTING UNIT
- ⊥ GROUND ROD

1. ALL NECESSARY REVISIONS TO THE WIRING SHOWN ON THIS SHEET SHALL BE MADE AT NO ADDITIONAL COST TO THE DEPARTMENT AND TO THE SATISFACTION OF THE ENGINEER.



US-45 AND LEVERETT RD.
PROPOSED LIGHTING CONTROLLER
POLE MOUNTED, 240V, 60 AMP

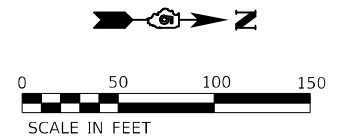


BILL OF MATERIALS

PAY ITEM	DESCRIPTION	UNIT	QUANTITY
80400100	ELECTRIC SERVICE INSTALLATION	EACH	1
81028750	UNDERGROUND CONDUIT, COILABLE NONMETALLIC, 2" DIA.	FOOT	260
81603000	UNIT DUCT, 600V, 2-1C NO.8, 1/C NO.8 GROUND, (XLP-TYPE USE), 3/4" DIA. POLYETHYLENE	FOOT	1,115
82110005	LUMINAIRE, LED, ROADWAY, OUTPUT DESIGNATION E	EACH	10
82500310	LIGHTING CONTROLLER POLE MOUNTED, 240VOLT, 60AMP	EACH	1
83001600	LIGHT POLE, ALUMINUM 35 FT. M.H., 15 FT. DAVIT ARM	EACH	10
83600356	LIGHT POLE FOUNDATION, METAL, 15" BOLT CIRCLE, 8 5/8" X 6"	EACH	10
83800650	BREAKAWAY DEVICE, COUPLING WITH STAINLESS STEEL SCREEN	EACH	40

LEGEND:

- PROPOSED LIGHT POLE, ALUMINUM, 35' M.H., 15' DAVIT ARM, WITH 15" B.C. ON 8-5/8" X 6" METAL FOUNDATION. ROADWAY LED LUMINAIRE OUTPUT DESIGNATION E, TYPE III
- PROPOSED LIGHTING CONTROLLER, POLE MOUNTED, 240V, 60AMP
- PROPOSED ELECTRIC SERVICE INSTALLATION 100 AMP, 120/240V, SINGLE PHASE, 3-WIRE
- PROPOSED UNIT DUCT, 600V, 2-1C NO.8, 1/C NO. 8 GROUND, (XLP-TYPE USE), 3/4" DIA. POLYETHYLENE
- PROPOSED UNDERGROUD CONDUIT, COILABLE NONMETALLIC CONDUIT, 2" DIA.
- EXISTING LIGHTING UNIT TO BE REMOVED BY OTHERS



**STATE OF ILLINOIS
DEPARTMENT OF TRANSPORTATION**

**LIGHTING IMPROVEMENTS
US-45 AND LEVERETT RD.**

USER NAME = Justin.Cearlock	DESIGNED - MT	REVISED -
PLOT SCALE = 100,0000' / in.	DRAWN - PS	REVISED -
PLOT DATE = 8/3/2023	CHECKED - WS	REVISED -
	DATE - 06/02/2023	REVISED -

SCALE: SHEET OF SHEETS STA. TO STA.

F.A. RTE.	SECTION	COUNTY	TOTAL SHEETS	SHEET NO.
		VARIOUS	19	4
CONTRACT NO. 70G26				
ILLINOIS FED. AID PROJECT				

MODEL: I:\MODEL\MHMF... FILE: 8/3/2023... I:\US-45 - Leverett Rd.dgn

NOTES:

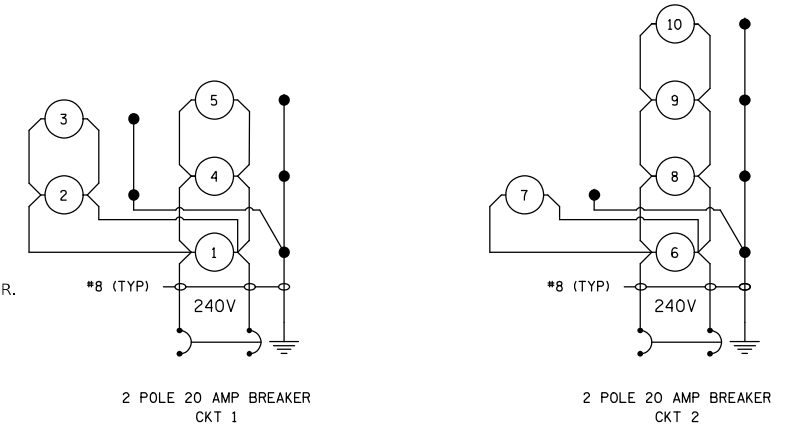
- 2" DIA. CONDUIT TO BE BORED UNDER PAVEMENT.
- THE CONTRACTOR SHALL SET POLES 15' BEHIND THE EDGE OF TRAVELED PAVEMENT.
- NO POLE TO BE INSTALLED IN THE FLOWLINE OF DITCH. POLE SETBACK TO BE ADJUSTED IF NECESSARY AS DIRECTED BY THE ENGINEER.
- THE UTILITIES SHOWN ON THIS DRAWING ARE FOR REFERENCE ONLY AND ARE TO MAKE THE CONTRACTOR AWARE THAT THERE ARE EXISTING UTILITIES IN THE AREA. THE LOCATIONS OF THE UTILITIES SHOWN WERE PROVIDED BY IDOT, ARE APPROXIMATIONS AND ARE NOT TO BE SCALED OFF THE DRAWINGS AND UTILIZED FOR CONSTRUCTION PURPOSES. THE CONTRACTOR IS RESPONSIBLE FOR CONTACTING EACH LOCAL UTILITY AND REQUESTING A FIELD LOCATE OF THE UTILITY'S EXISTING FACILITIES IN THE CONSTRUCTION AREA PRIOR TO BEGINNING ANY WORK.
- THE CONTRACTOR SHALL INSTALL THE PROPOSED SERVICE POLE A MINIMUM OF 3 FT INSIDE THE IDOT ROW LINE.

LEGEND:

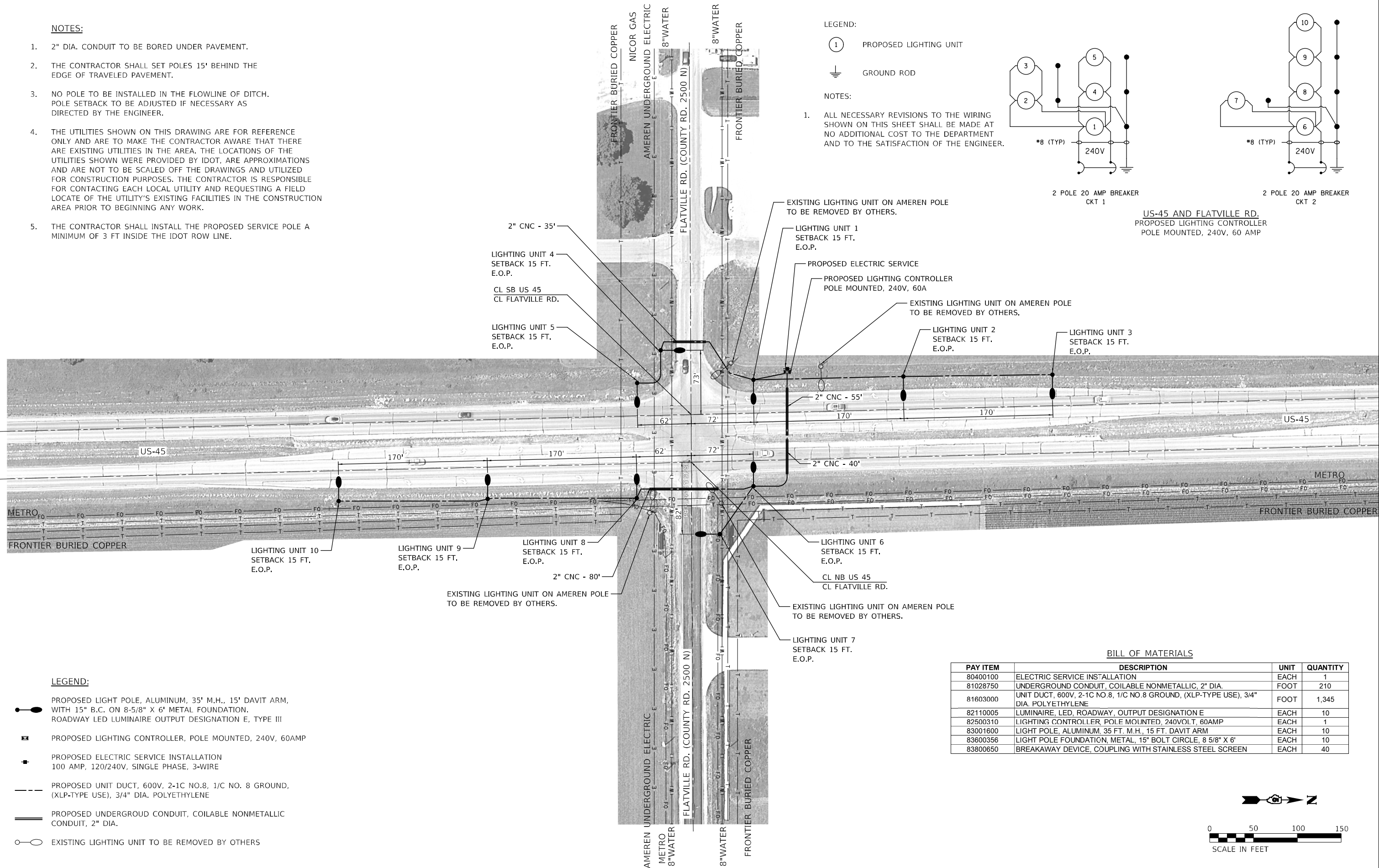
- ① PROPOSED LIGHTING UNIT
- ⚡ GROUND ROD

NOTES:

- ALL NECESSARY REVISIONS TO THE WIRING SHOWN ON THIS SHEET SHALL BE MADE AT NO ADDITIONAL COST TO THE DEPARTMENT AND TO THE SATISFACTION OF THE ENGINEER.



US-45 AND FLATVILLE RD.
PROPOSED LIGHTING CONTROLLER
POLE MOUNTED, 240V, 60 AMP

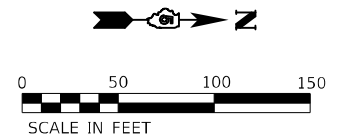


LEGEND:

- PROPOSED LIGHT POLE, ALUMINUM, 35' M.H., 15' DAVIT ARM, WITH 15" B.C. ON 8-5/8" X 6" METAL FOUNDATION. ROADWAY LED LUMINAIRE OUTPUT DESIGNATION E, TYPE III
- ⊞ PROPOSED LIGHTING CONTROLLER, POLE MOUNTED, 240V, 60AMP
- ⚡ PROPOSED ELECTRIC SERVICE INSTALLATION 100 AMP, 120/240V, SINGLE PHASE, 3-WIRE
- PROPOSED UNIT DUCT, 600V, 2-1C NO.8, 1/C NO. 8 GROUND, (XLP-TYPE USE), 3/4" DIA. POLYETHYLENE
- === PROPOSED UNDERGROUND CONDUIT, COILABLE NONMETALLIC CONDUIT, 2" DIA.
- EXISTING LIGHTING UNIT TO BE REMOVED BY OTHERS

BILL OF MATERIALS

PAY ITEM	DESCRIPTION	UNIT	QUANTITY
80400100	ELECTRIC SERVICE INSTALLATION	EACH	1
81028750	UNDERGROUND CONDUIT, COILABLE NONMETALLIC, 2" DIA.	FOOT	210
81603000	UNIT DUCT, 600V, 2-1C NO.8, 1/C NO.8 GROUND, (XLP-TYPE USE), 3/4" DIA. POLYETHYLENE	FOOT	1,345
82110005	LUMINAIRE, LED, ROADWAY, OUTPUT DESIGNATION E	EACH	10
82500310	LIGHTING CONTROLLER, POLE MOUNTED, 240VOLT, 60AMP	EACH	1
83001600	LIGHT POLE, ALUMINUM, 35 FT. M.H., 15 FT. DAVIT ARM	EACH	10
83600356	LIGHT POLE FOUNDATION, METAL, 15" BOLT CIRCLE, 8 5/8" X 6"	EACH	10
83800650	BREAKAWAY DEVICE, COUPLING WITH STAINLESS STEEL SCREEN	EACH	40



**STATE OF ILLINOIS
DEPARTMENT OF TRANSPORTATION**

**LIGHTING IMPROVEMENTS
US-45 AND FLATVILLE RD.**

USER NAME = Justin.Cearlock	DESIGNED - MT	REVISED -
PLOT SCALE = 100,0000' / in.	DRAWN - PS	REVISED -
PLOT DATE = 8/3/2023	CHECKED - WS	REVISED -
	DATE - 06/02/2023	REVISED -

SCALE:	SHEET	OF	SHEETS	STA.	TO	STA.	F.A. RTE.	SECTION	COUNTY	TOTAL SHEETS	SHEET NO.
										19	5
CONTRACT NO. 70G26											
ILLINOIS FED. AID PROJECT											

MODEL: 44001.MXMF
FILE: 44001.MXMF
MODEL: 44001.MXMF
FILE: 44001.MXMF

NOTES:

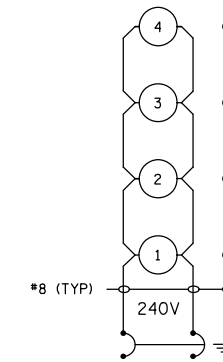
- 2" DIA. CONDUIT TO BE BORED UNDER PAVEMENT.
- THE CONTRACTOR SHALL SET POLES 15' BEHIND THE EDGE OF TRAVELED PAVEMENT.
- NO POLE TO BE INSTALLED IN THE FLOWLINE OF DITCH. POLE SETBACK TO BE ADJUSTED IF NECESSARY AS DIRECTED BY THE ENGINEER.
- THE UTILITIES SHOWN ON THIS DRAWING ARE FOR REFERENCE ONLY AND ARE TO MAKE THE CONTRACTOR AWARE THAT THERE ARE EXISTING UTILITIES IN THE AREA. THE LOCATIONS OF THE UTILITIES SHOWN WERE PROVIDED BY IDOT, ARE APPROXIMATIONS AND ARE NOT TO BE SCALED OFF THE DRAWINGS AND UTILIZED FOR CONSTRUCTION PURPOSES. THE CONTRACTOR IS RESPONSIBLE FOR CONTACTING EACH LOCAL UTILITY AND REQUESTING A FIELD LOCATE OF THE UTILITY'S EXISTING FACILITIES IN THE CONSTRUCTION AREA PRIOR TO BEGINNING ANY WORK.
- THE CONTRACTOR SHALL INSTALL THE PROPOSED SERVICE POLE A MINIMUM OF 3 FT INSIDE THE IDOT ROW LINE.

LEGEND:

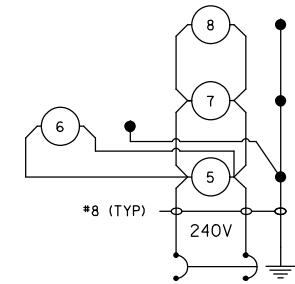
- ① PROPOSED LIGHTING UNIT
- ⏚ GROUND ROD

NOTES:

- ALL NECESSARY REVISIONS TO THE WIRING SHOWN ON THIS SHEET SHALL BE MADE AT NO ADDITIONAL COST TO THE DEPARTMENT AND TO THE SATISFACTION OF THE ENGINEER.

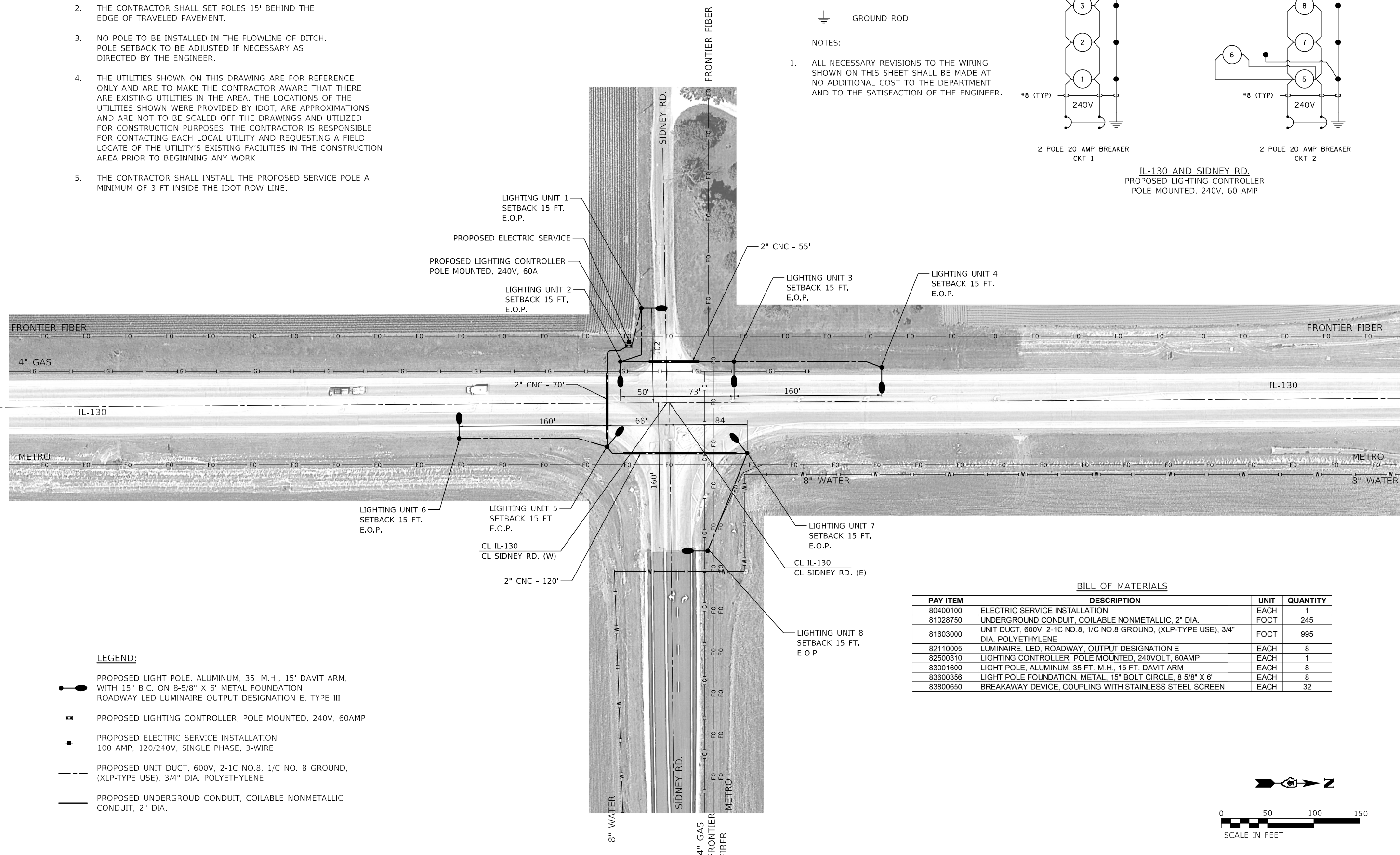


2 POLE 20 AMP BREAKER
CKT 1



2 POLE 20 AMP BREAKER
CKT 2

IL-130 AND SIDNEY RD.
PROPOSED LIGHTING CONTROLLER
POLE MOUNTED, 240V, 60 AMP

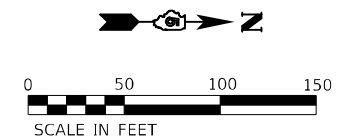


LEGEND:

- PROPOSED LIGHT POLE, ALUMINUM, 35' M.H., 15' DAVIT ARM, WITH 15" B.C. ON 8-5/8" X 6" METAL FOUNDATION. ROADWAY LED LUMINAIRE OUTPUT DESIGNATION E, TYPE III
- PROPOSED LIGHTING CONTROLLER, POLE MOUNTED, 240V, 60AMP
- PROPOSED ELECTRIC SERVICE INSTALLATION 100 AMP, 120/240V, SINGLE PHASE, 3-WIRE
- PROPOSED UNIT DUCT, 600V, 2-1C NO.8, 1/C NO. 8 GROUND, (XLP-TYPE USE), 3/4" DIA. POLYETHYLENE
- PROPOSED UNDERGROUD CONDUIT, COILABLE NONMETALLIC CONDUIT, 2" DIA.

BILL OF MATERIALS

PAY ITEM	DESCRIPTION	UNIT	QUANTITY
80400100	ELECTRIC SERVICE INSTALLATION	EACH	1
81028750	UNDERGROUND CONDUIT, COILABLE NONMETALLIC, 2" DIA.	FOOT	245
81603000	UNIT DUCT, 600V, 2-1C NO.8, 1/C NO.8 GROUND, (XLP-TYPE USE), 3/4" DIA. POLYETHYLENE	FOOT	995
82110005	LUMINAIRE, LED, ROADWAY, OUTPUT DESIGNATION E	EACH	8
82500310	LIGHTING CONTROLLER, POLE MOUNTED, 240VOLT, 60AMP	EACH	1
83001600	LIGHT POLE, ALUMINUM, 35 FT. M.H., 15 FT. DAVIT ARM	EACH	8
83600356	LIGHT POLE FOUNDATION, METAL, 15" BOLT CIRCLE, 8 5/8" X 6"	EACH	8
83800650	BREAKAWAY DEVICE, COUPLING WITH STAINLESS STEEL SCREEN	EACH	32



MODEL: I:\MODEL\NAME: FILE: NAME: PUBLIC\paw_bendley.com\PIV\IDOT\Documents\IDOT Office\Drawings\Subcontract\0670G\0634\130 - Ct. 1000-Sidney Rd.dgn

USER NAME = Justh.Cearlock	DESIGNED - MT	REVISED -
DRAWN - PS	REVISED -	
PLOT SCALE = 100,0000' / in.	CHECKED - WS	REVISED -
PLOT DATE = 8/3/2023	DATE - 06/02/2023	REVISED -

**STATE OF ILLINOIS
DEPARTMENT OF TRANSPORTATION**

**LIGHTING IMPROVEMENTS
IL-130 AND SIDNEY RD. (CR-1000)**

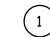
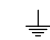
SCALE: SHEET OF SHEETS STA. TO STA.

F.A. RTE.	SECTION	COUNTY	TOTAL SHEETS	SHEET NO.
		VARIOUS	19	6
CONTRACT NO. 70G26				
ILLINOIS FED. AID PROJECT				

NOTES:

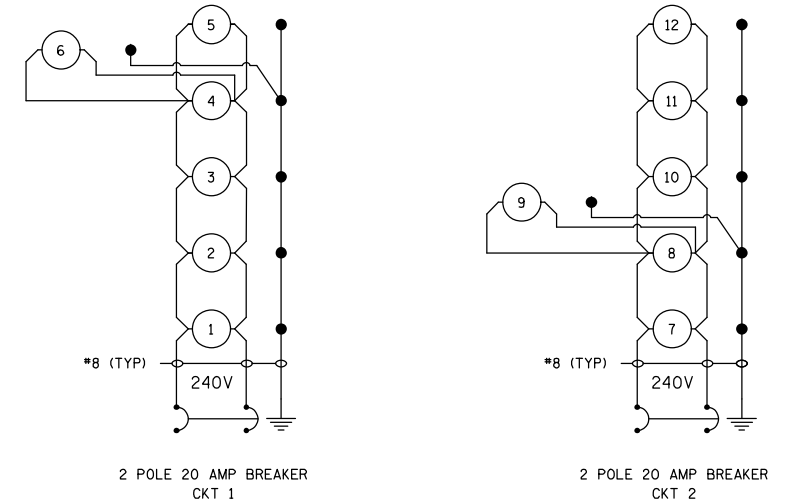
- 2" DIA. CONDUIT TO BE BORED UNDER PAVEMENT.
- THE CONTRACTOR SHALL SET POLES 15' BEHIND THE EDGE OF TRAVELED PAVEMENT.
- NO POLE TO BE INSTALLED IN THE FLOWLINE OF DITCH. POLE SETBACK TO BE ADJUSTED IF NECESSARY AS DIRECTED BY THE ENGINEER.
- THE UTILITIES SHOWN ON THIS DRAWING ARE FOR REFERENCE ONLY AND ARE TO MAKE THE CONTRACTOR AWARE THAT THERE ARE EXISTING UTILITIES IN THE AREA. THE LOCATIONS OF THE UTILITIES SHOWN WERE PROVIDED BY IDOT, ARE APPROXIMATIONS AND ARE NOT TO BE SCALED OFF THE DRAWINGS AND UTILIZED FOR CONSTRUCTION PURPOSES. THE CONTRACTOR IS RESPONSIBLE FOR CONTACTING EACH LOCAL UTILITY AND REQUESTING A FIELD LOCATE OF THE UTILITY'S EXISTING FACILITIES IN THE CONSTRUCTION AREA PRIOR TO BEGINNING ANY WORK.
- THE CONTRACTOR SHALL INSTALL THE PROPOSED SERVICE POLE A MINIMUM OF 3 FT INSIDE THE IDOT ROW LINE.

LEGEND:

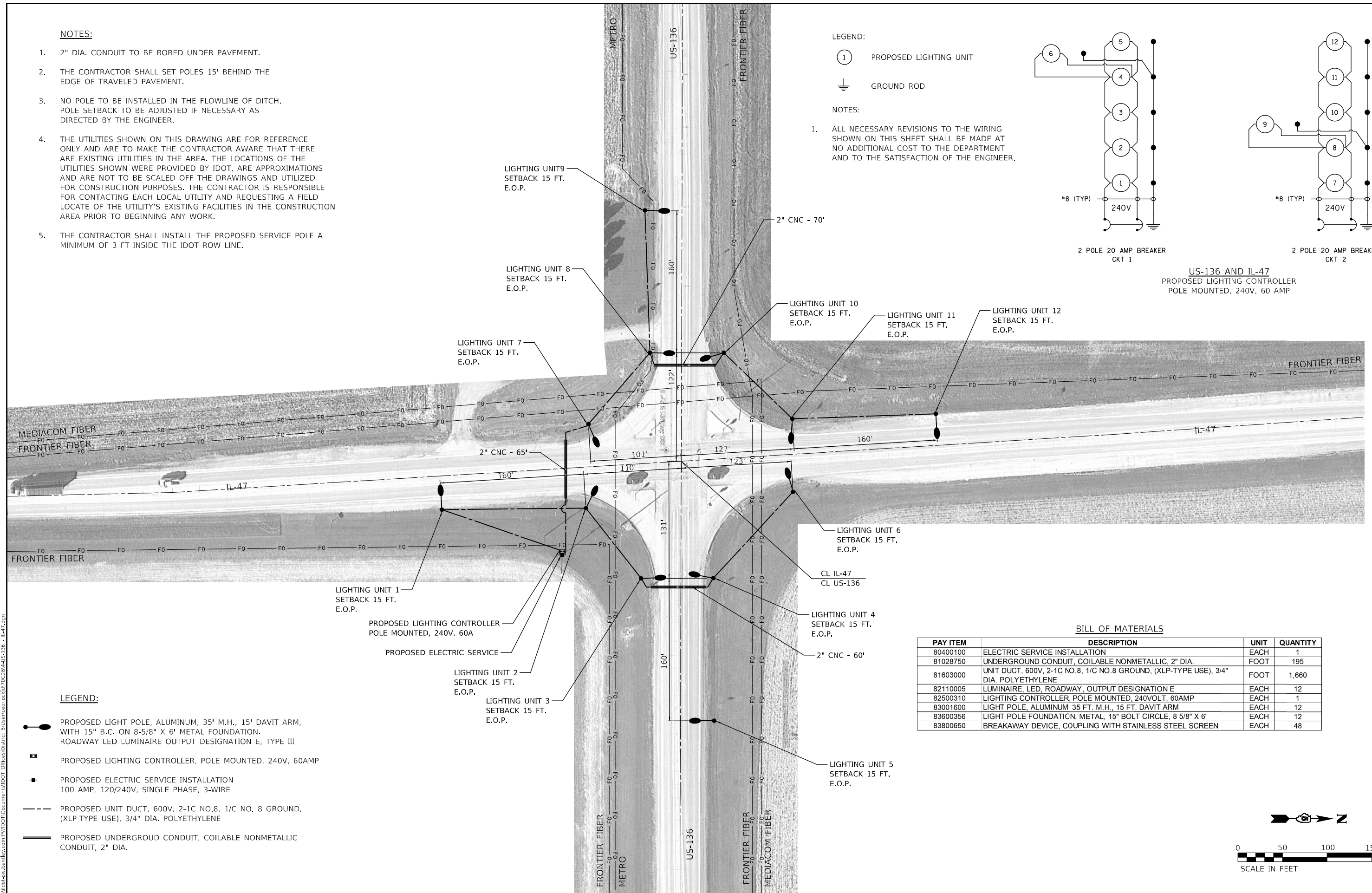
-  PROPOSED LIGHTING UNIT
-  GROUND ROD

NOTES:

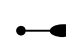


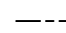

- ALL NECESSARY REVISIONS TO THE WIRING SHOWN ON THIS SHEET SHALL BE MADE AT NO ADDITIONAL COST TO THE DEPARTMENT AND TO THE SATISFACTION OF THE ENGINEER.



US-136 AND IL-47
PROPOSED LIGHTING CONTROLLER
POLE MOUNTED, 240V, 60 AMP

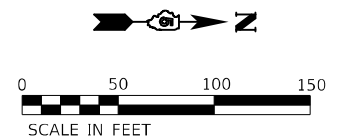


LEGEND:

-  PROPOSED LIGHT POLE, ALUMINUM, 35' M.H., 15' DAVIT ARM, WITH 15" B.C. ON 8-5/8" X 6" METAL FOUNDATION. ROADWAY LED LUMINAIRE OUTPUT DESIGNATION E, TYPE III
-  PROPOSED LIGHTING CONTROLLER, POLE MOUNTED, 240V, 60AMP
-  PROPOSED ELECTRIC SERVICE INSTALLATION 100 AMP, 120/240V, SINGLE PHASE, 3-WIRE
-  PROPOSED UNIT DUCT, 600V, 2-1C NO.8, 1/C NO. 8 GROUND, (XLP-TYPE USE), 3/4" DIA. POLYETHYLENE
-  PROPOSED UNDERGROUND CONDUIT, COILABLE NONMETALLIC CONDUIT, 2" DIA.

BILL OF MATERIALS

PAY ITEM	DESCRIPTION	UNIT	QUANTITY
80400100	ELECTRIC SERVICE INSTALLATION	EACH	1
81028750	UNDERGROUND CONDUIT, COILABLE NONMETALLIC, 2" DIA.	FOOT	195
81603000	UNIT DUCT, 600V, 2-1C NO.8, 1/C NO.8 GROUND, (XLP-TYPE USE), 3/4" DIA. POLYETHYLENE	FOOT	1,660
82110005	LUMINAIRE, LED, ROADWAY, OUTPUT DESIGNATION E	EACH	12
82500310	LIGHTING CONTROLLER, POLE MOUNTED, 240VOLT, 60AMP	EACH	1
83001600	LIGHT POLE, ALUMINUM, 35 FT. M.H., 15 FT. DAVIT ARM	EACH	12
83600356	LIGHT POLE FOUNDATION, METAL, 15" BOLT CIRCLE, 8 5/8" X 6"	EACH	12
83800650	BREAKAWAY DEVICE, COUPLING WITH STAINLESS STEEL SCREEN	EACH	48



MODEL: I:\MODEL\MHFE FILE NAME: p:\pub\cra\benefy.com\PIV\DOT\Documents\IDOT\Office\Dir\drat_S\Users\cra\benefy.com\PIV\DOT\US-136_IL-47.dwg

USER NAME = Justh.Cearlock	DESIGNED - MT	REVISED -
PLOT SCALE = 100,0000' / in.	DRAWN - PS	REVISED -
PLOT DATE = 8/3/2023	CHECKED - WS	REVISED -
	DATE - 06/02/2023	REVISED -

**STATE OF ILLINOIS
DEPARTMENT OF TRANSPORTATION**

**LIGHTING IMPROVEMENTS
US-136 AND IL-47**

SCALE: SHEET OF SHEETS STA. TO STA.

F.A. RTE.	SECTION	COUNTY	TOTAL SHEETS	SHEET NO.
		VARIOUS	19	7
CONTRACT NO. 70G26				
ILLINOIS FED. AID PROJECT				

NOTES:

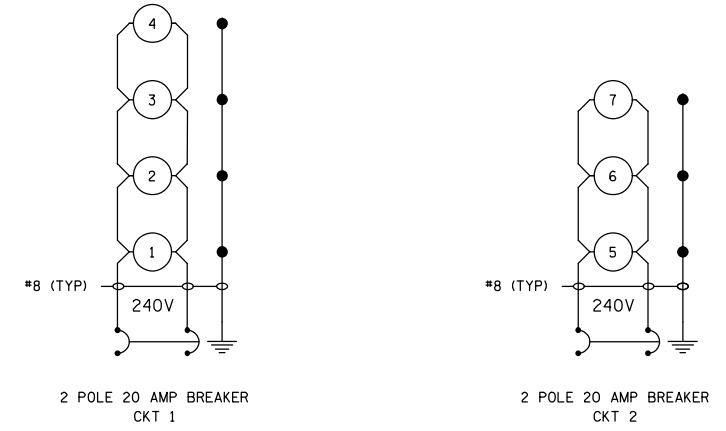
- 2" DIA. CONDUIT TO BE BORED UNDER PAVEMENT.
- THE CONTRACTOR SHALL SET POLES 15' BEHIND THE EDGE OF TRAVELED PAVEMENT.
- NO POLE TO BE INSTALLED IN THE FLOWLINE OF DITCH. POLE SETBACK TO BE ADJUSTED IF NECESSARY AS DIRECTED BY THE ENGINEER.
- THE UTILITIES SHOWN ON THIS DRAWING ARE FOR REFERENCE ONLY AND ARE TO MAKE THE CONTRACTOR AWARE THAT THERE ARE EXISTING UTILITIES IN THE AREA. THE LOCATIONS OF THE UTILITIES SHOWN WERE PROVIDED BY IDOT, ARE APPROXIMATIONS AND ARE NOT TO BE SCALED OFF THE DRAWINGS AND UTILIZED FOR CONSTRUCTION PURPOSES. THE CONTRACTOR IS RESPONSIBLE FOR CONTACTING EACH LOCAL UTILITY AND REQUESTING A FIELD LOCATE OF THE UTILITY'S EXISTING FACILITIES IN THE CONSTRUCTION AREA PRIOR TO BEGINNING ANY WORK.
- THE CONTRACTOR SHALL INSTALL THE PROPOSED SERVICE POLE A MINIMUM OF 3 FT INSIDE THE IDOT ROW LINE.

LEGEND:

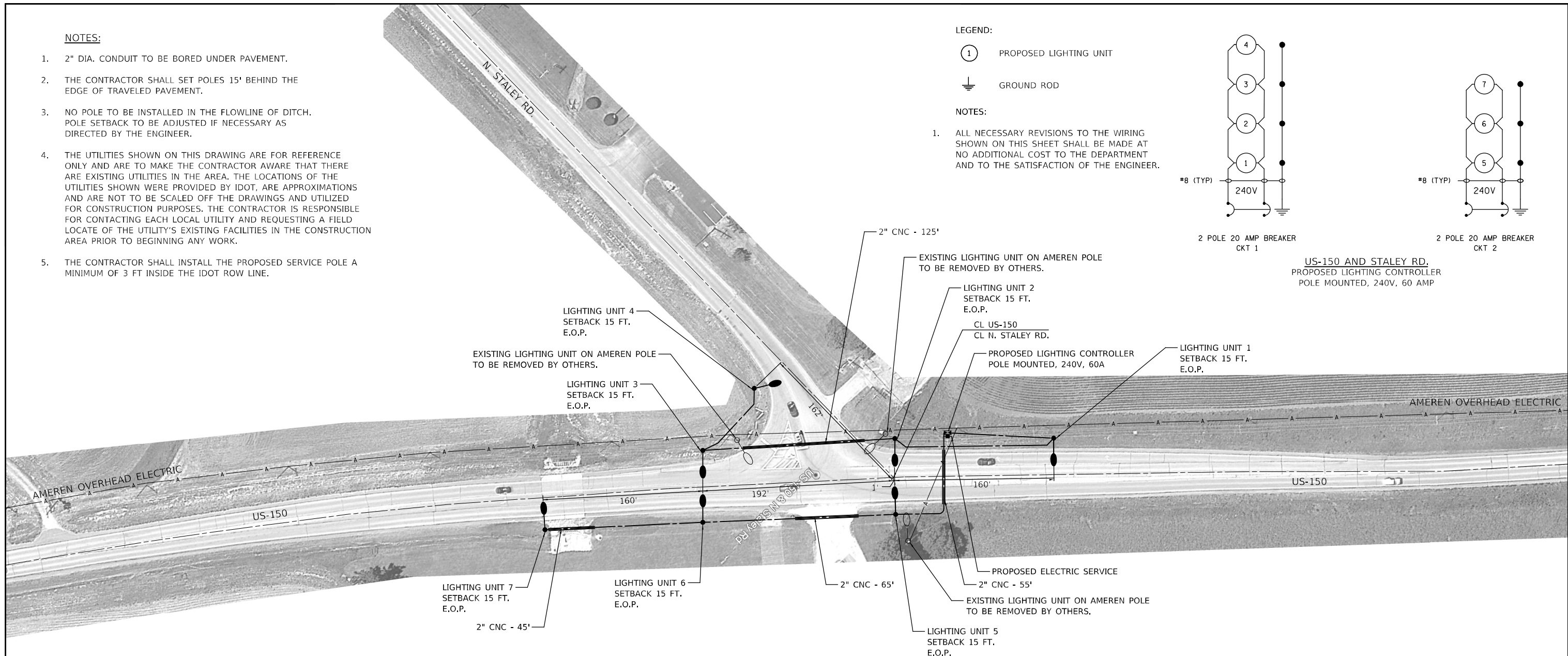
- ① PROPOSED LIGHTING UNIT
- ⚡ GROUND ROD

NOTES:

- ALL NECESSARY REVISIONS TO THE WIRING SHOWN ON THIS SHEET SHALL BE MADE AT NO ADDITIONAL COST TO THE DEPARTMENT AND TO THE SATISFACTION OF THE ENGINEER.



US-150 AND STALEY RD. PROPOSED LIGHTING CONTROLLER POLE MOUNTED, 240V, 60 AMP

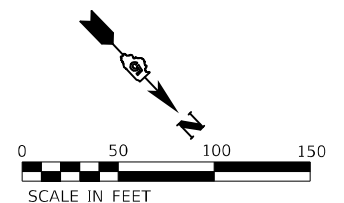


BILL OF MATERIALS

PAY ITEM	DESCRIPTION	UNIT	QUANTITY
80400100	ELECTRIC SERVICE INSTALLATION	EACH	1
81028750	UNDERGROUND CONDUIT, COILABLE NONMETALLIC, 2" DIA.	FOOT	290
81603000	UNIT DUCT, 600V, 2-1C NO.8, 1/C NO.8 GROUND, (XLP-TYPE USE), 3/4" DIA. POLYETHYLENE	FOOT	1,080
82110005	LUMINAIRE, LED, ROADWAY, OUTPUT DESIGNATION E	EACH	7
82500310	LIGHTING CONTROLLER, POLE MOUNTED, 240VOLT, 60AMP	EACH	1
83001600	LIGHT POLE, ALUMINUM 35 FT. M.H., 15 FT. DAVIT ARM	EACH	7
83600356	LIGHT POLE FOUNDATION, METAL, 15" BOLT CIRCLE, 8 5/8" X 6"	EACH	7
83800650	BREAKAWAY DEVICE, COUPLING WITH STAINLESS STEEL SCREEN	EACH	28

LEGEND:

- PROPOSED LIGHT POLE, ALUMINUM, 35' M.H., 15' DAVIT ARM, WITH 15" B.C. ON 8-5/8" X 6" METAL FOUNDATION. ROADWAY LED LUMINAIRE OUTPUT DESIGNATION E, TYPE III
- PROPOSED LIGHTING CONTROLLER, POLE MOUNTED, 240V, 60AMP
- PROPOSED ELECTRIC SERVICE INSTALLATION 100 AMP, 120/240V, SINGLE PHASE, 3-WIRE
- PROPOSED UNIT DUCT, 600V, 2-1C NO.8, 1/C NO. 8 GROUND, (XLP-TYPE USE), 3/4" DIA. POLYETHYLENE
- PROPOSED UNDERGROUND CONDUIT, COILABLE NONMETALLIC CONDUIT, 2" DIA.
- EXISTING LIGHTING UNIT TO BE REMOVED BY OTHERS



MODEL: I:\MODEL\MAFIS... FILE NAME: ...\US-150 - Staley Rd.dgn

USER NAME = Justin.Cearlock	DESIGNED - MT	REVISED -
DRAWN - PS	REVISED -	
PLOT SCALE = 100,0000' / in.	CHECKED - WS	REVISED -
PLOT DATE = 8/3/2023	DATE - 06/02/2023	REVISED -

**STATE OF ILLINOIS
DEPARTMENT OF TRANSPORTATION**

**LIGHTING IMPROVEMENTS
US-150 AND STALEY RD.**

SCALE: SHEET OF SHEETS STA. TO STA.

F.A. RTE.	SECTION	COUNTY	TOTAL SHEETS	SHEET NO.
		VARIOUS	19	8
CONTRACT NO. 70G26				
ILLINOIS FED. AID PROJECT				

NOTES:

- 2" DIA. CONDUIT TO BE BORED UNDER PAVEMENT.
- THE CONTRACTOR SHALL SET POLES 15' BEHIND THE EDGE OF TRAVELED PAVEMENT.
- NO POLE TO BE INSTALLED IN THE FLOWLINE OF DITCH. POLE SETBACK TO BE ADJUSTED IF NECESSARY AS DIRECTED BY THE ENGINEER.
- THE UTILITIES SHOWN ON THIS DRAWING ARE FOR REFERENCE ONLY AND ARE TO MAKE THE CONTRACTOR AWARE THAT THERE ARE EXISTING UTILITIES IN THE AREA. THE LOCATIONS OF THE UTILITIES SHOWN WERE PROVIDED BY IDOT, ARE APPROXIMATIONS AND ARE NOT TO BE SCALED OFF THE DRAWINGS AND UTILIZED FOR CONSTRUCTION PURPOSES. THE CONTRACTOR IS RESPONSIBLE FOR CONTACTING EACH LOCAL UTILITY AND REQUESTING A FIELD LOCATE OF THE UTILITY'S EXISTING FACILITIES IN THE CONSTRUCTION AREA PRIOR TO BEGINNING ANY WORK.
- THE CONTRACTOR SHALL INSTALL THE PROPOSED SERVICE POLE A MINIMUM OF 3 FT INSIDE THE IDOT ROW LINE.

LEGEND:

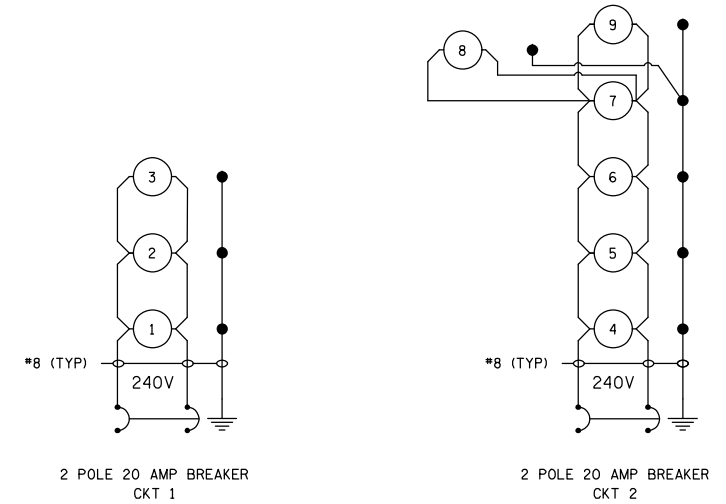
- PROPOSED LIGHT POLE, ALUMINUM, 35' M.H., 15' DAVIT ARM, WITH 15" B.C. ON 8-5/8" X 6" METAL FOUNDATION. ROADWAY LED LUMINAIRE OUTPUT DESIGNATION E, TYPE III
- PROPOSED LIGHTING CONTROLLER, POLE MOUNTED, 240V, 60AMP
- PROPOSED ELECTRIC SERVICE INSTALLATION 100 AMP, 120/240V, SINGLE PHASE, 3-WIRE
- PROPOSED UNIT DUCT, 600V, 2-1C NO.8, 1/C NO. 8 GROUND, (XLP-TYPE USE), 3/4" DIA. POLYETHYLENE
- PROPOSED UNDERGROUND CONDUIT, COILABLE NONMETALLIC CONDUIT, 2" DIA.
- EXISTING LIGHTING UNIT TO BE REMOVED BY OTHERS

LEGEND:

- PROPOSED LIGHTING UNIT
- GROUND ROD

NOTES:

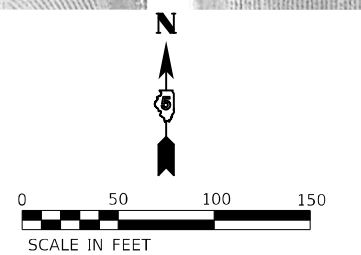
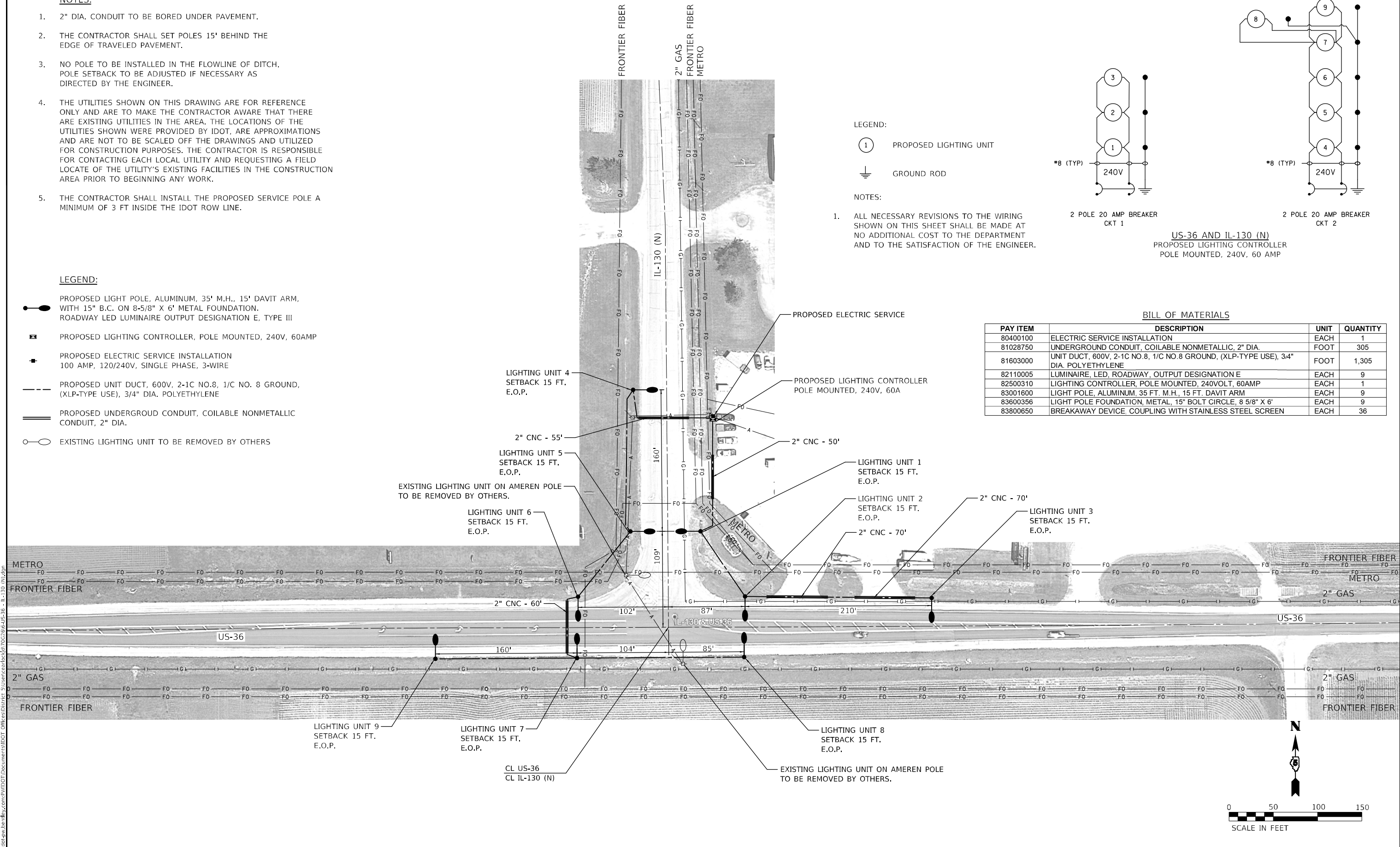
- ALL NECESSARY REVISIONS TO THE WIRING SHOWN ON THIS SHEET SHALL BE MADE AT NO ADDITIONAL COST TO THE DEPARTMENT AND TO THE SATISFACTION OF THE ENGINEER.



US-36 AND IL-130 (N)
PROPOSED LIGHTING CONTROLLER
POLE MOUNTED, 240V, 60 AMP

BILL OF MATERIALS

PAY ITEM	DESCRIPTION	UNIT	QUANTITY
80400100	ELECTRIC SERVICE INSTALLATION	EACH	1
81028750	UNDERGROUND CONDUIT, COILABLE NONMETALLIC, 2" DIA.	FOOT	305
81603000	UNIT DUCT, 600V, 2-1C NO.8, 1/C NO.8 GROUND, (XLP-TYPE USE), 3/4" DIA. POLYETHYLENE	FOOT	1,305
82110005	LUMINAIRE, LED, ROADWAY, OUTPUT DESIGNATION E	EACH	9
82500310	LIGHTING CONTROLLER, POLE MOUNTED, 240VOLT, 60AMP	EACH	1
83001600	LIGHT POLE, ALUMINUM, 35 FT. M.H., 15 FT. DAVIT ARM	EACH	9
83600356	LIGHT POLE FOUNDATION, METAL, 15" BOLT CIRCLE, 8 5/8" X 6"	EACH	9
83800650	BREAKAWAY DEVICE, COUPLING WITH STAINLESS STEEL SCREEN	EACH	36



MODEL: \\MODEL\MHMF
 FILE: \\MAILS\pub\idoc\ba\benefit\com\PIV\DOT\Documents\IDOT\Office\Drawings\Subcontract\3870G3\66US36_IL-130_N(1).dgn

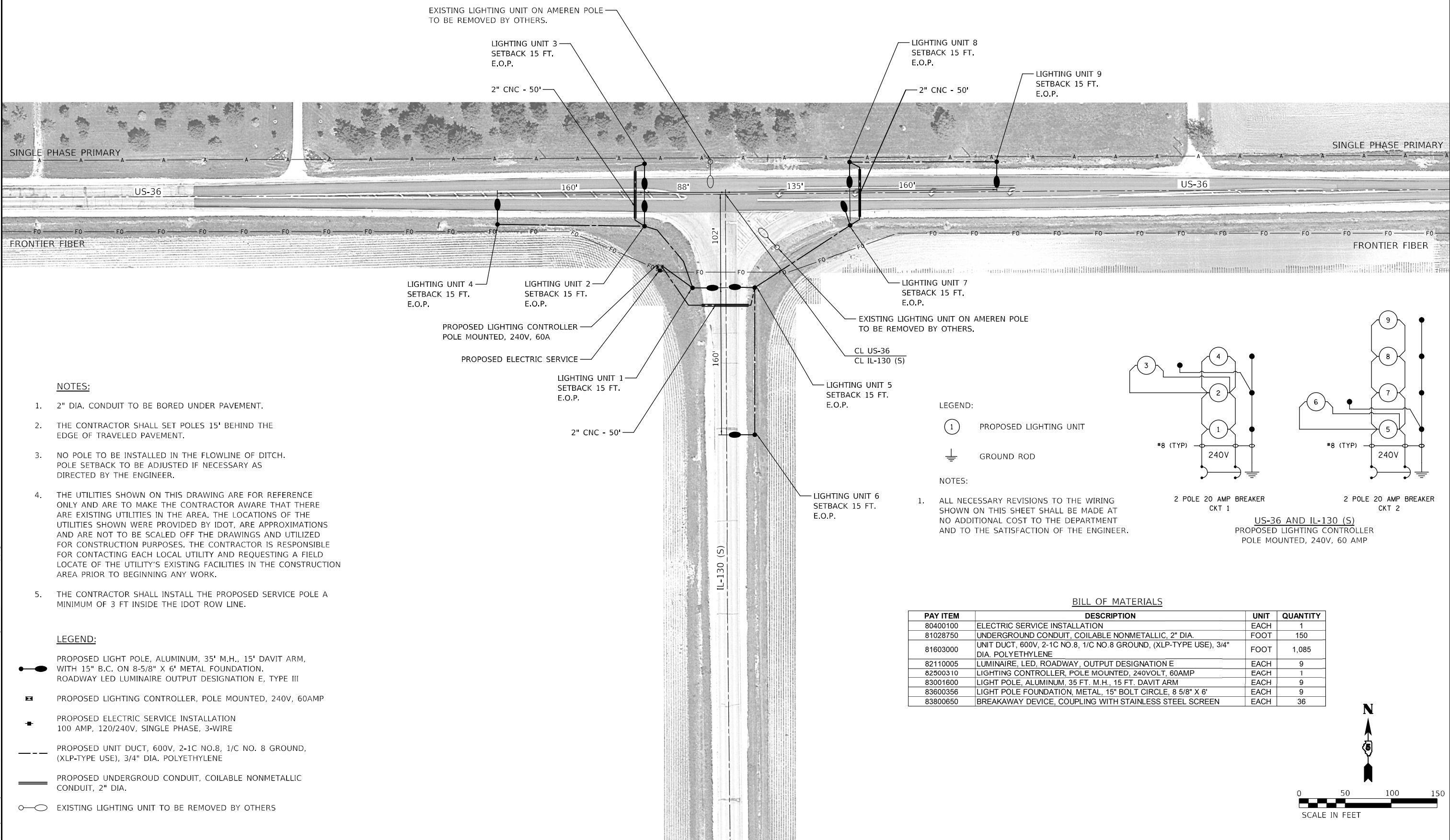
USER NAME = Justh.Cearlock	DESIGNED - MT	REVISED -
DRAWN - PS	REVISED -	
PLOT SCALE = 100,0000' / in.	CHECKED - WS	REVISED -
PLOT DATE = 8/3/2023	DATE - 06/02/2023	REVISED -

**STATE OF ILLINOIS
DEPARTMENT OF TRANSPORTATION**

**LIGHTING IMPROVEMENTS
US-36 AND IL-130 (N)**

SCALE: SHEET OF SHEETS STA. TO STA.

F.A. RTE.	SECTION	COUNTY	TOTAL SHEETS	SHEET NO.
		VARIOUS	19	9
CONTRACT NO. 70G26				
ILLINOIS FED. AID PROJECT				



NOTES:

- 2" DIA. CONDUIT TO BE BORED UNDER PAVEMENT.
- THE CONTRACTOR SHALL SET POLES 15' BEHIND THE EDGE OF TRAVELED PAVEMENT.
- NO POLE TO BE INSTALLED IN THE FLOWLINE OF DITCH. POLE SETBACK TO BE ADJUSTED IF NECESSARY AS DIRECTED BY THE ENGINEER.
- THE UTILITIES SHOWN ON THIS DRAWING ARE FOR REFERENCE ONLY AND ARE TO MAKE THE CONTRACTOR AWARE THAT THERE ARE EXISTING UTILITIES IN THE AREA. THE LOCATIONS OF THE UTILITIES SHOWN WERE PROVIDED BY IDOT, ARE APPROXIMATIONS AND ARE NOT TO BE SCALED OFF THE DRAWINGS AND UTILIZED FOR CONSTRUCTION PURPOSES. THE CONTRACTOR IS RESPONSIBLE FOR CONTACTING EACH LOCAL UTILITY AND REQUESTING A FIELD LOCATE OF THE UTILITY'S EXISTING FACILITIES IN THE CONSTRUCTION AREA PRIOR TO BEGINNING ANY WORK.
- THE CONTRACTOR SHALL INSTALL THE PROPOSED SERVICE POLE A MINIMUM OF 3 FT INSIDE THE IDOT ROW LINE.

LEGEND:

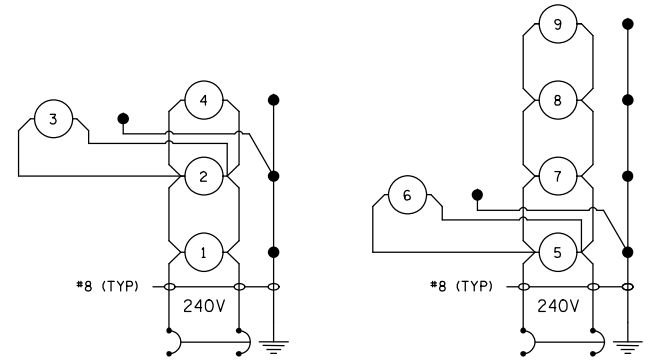
- PROPOSED LIGHT POLE, ALUMINUM, 35' M.H., 15' DAVIT ARM, WITH 15" B.C. ON 8-5/8" X 6" METAL FOUNDATION. ROADWAY LED LUMINAIRE OUTPUT DESIGNATION E, TYPE III
- PROPOSED LIGHTING CONTROLLER, POLE MOUNTED, 240V, 60AMP
- PROPOSED ELECTRIC SERVICE INSTALLATION 100 AMP, 120/240V, SINGLE PHASE, 3-WIRE
- PROPOSED UNIT DUCT, 600V, 2-1C NO.8, 1/C NO. 8 GROUND, (XLP-TYPE USE), 3/4" DIA. POLYETHYLENE
- PROPOSED UNDERGROUD CONDUIT, COILABLE NONMETALLIC CONDUIT, 2" DIA.
- EXISTING LIGHTING UNIT TO BE REMOVED BY OTHERS

LEGEND:

- PROPOSED LIGHTING UNIT
- GROUND ROD

NOTES:

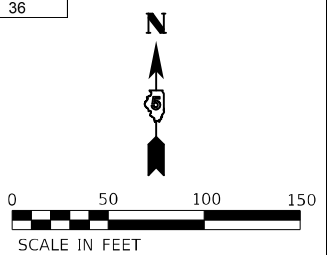
- ALL NECESSARY REVISIONS TO THE WIRING SHOWN ON THIS SHEET SHALL BE MADE AT NO ADDITIONAL COST TO THE DEPARTMENT AND TO THE SATISFACTION OF THE ENGINEER.



2 POLE 20 AMP BREAKER CKT 1
 2 POLE 20 AMP BREAKER CKT 2
 US-36 AND IL-130 (S)
 PROPOSED LIGHTING CONTROLLER
 POLE MOUNTED, 240V, 60 AMP

BILL OF MATERIALS

PAY ITEM	DESCRIPTION	UNIT	QUANTITY
80400100	ELECTRIC SERVICE INSTALLATION	EACH	1
81028750	UNDERGROUND CONDUIT, COILABLE NONMETALLIC, 2" DIA.	FOOT	150
81603000	UNIT DUCT, 600V, 2-1C NO.8, 1/C NO.8 GROUND, (XLP-TYPE USE), 3/4" DIA. POLYETHYLENE	FOOT	1,085
82110005	LUMINAIRE, LED, ROADWAY, OUTPUT DESIGNATION E	EACH	9
82300310	LIGHTING CONTROLLER, POLE MOUNTED, 240VOLT, 60AMP	EACH	1
83001600	LIGHT POLE, ALUMINUM, 35 FT. M.H., 15 FT. DAVIT ARM	EACH	9
83600356	LIGHT POLE FOUNDATION, METAL, 15" BOLT CIRCLE, 8 5/8" X 6"	EACH	9
83800650	BREAKAWAY DEVICE, COUPLING WITH STAINLESS STEEL SCREEN	EACH	36



MODEL: I:\MODEL\NAMES
 FILE: 80116161_01\11616161.dwg
 USER: jclark
 DATE: 8/3/2023

USER NAME = Justh.Clarlock	DESIGNED - MT	REVISED -
PLOT SCALE = 100,0000' / in.	CHECKED - WS	REVISED -
PLOT DATE = 8/3/2023	DATE - 06/02/2023	REVISED -

**STATE OF ILLINOIS
 DEPARTMENT OF TRANSPORTATION**

**LIGHTING IMPROVEMENTS
 US-36 AND IL-130 (S)**

SCALE: SHEET OF SHEETS STA. TO STA.

F.A. RTE.	SECTION	COUNTY	TOTAL SHEETS	SHEET NO.
		VARIOUS	19	10
CONTRACT NO. 70G26				
ILLINOIS FED. AID PROJECT				

NOTES:

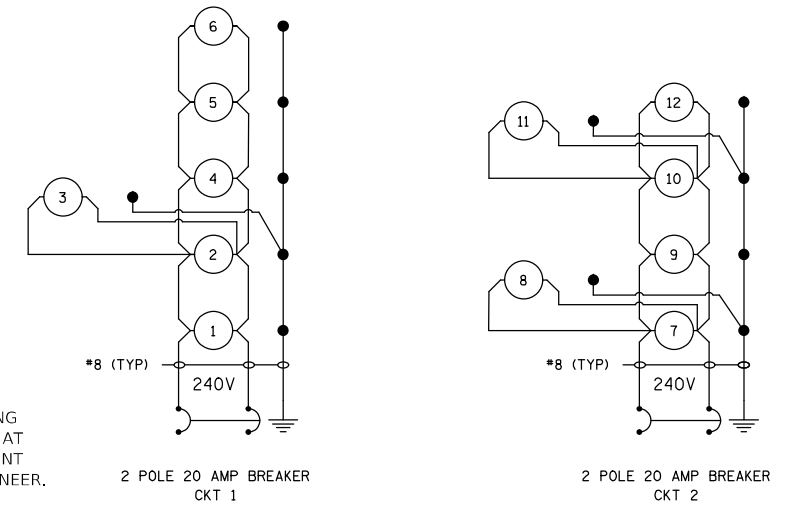
- 2" DIA. CONDUIT TO BE BORED UNDER PAVEMENT.
- THE CONTRACTOR SHALL SET POLES 15' BEHIND THE EDGE OF TRAVELED PAVEMENT.
- NO POLE TO BE INSTALLED IN THE FLOWLINE OF DITCH. POLE SETBACK TO BE ADJUSTED IF NECESSARY AS DIRECTED BY THE ENGINEER.
- THE UTILITIES SHOWN ON THIS DRAWING ARE FOR REFERENCE ONLY AND ARE TO MAKE THE CONTRACTOR AWARE THAT THERE ARE EXISTING UTILITIES IN THE AREA. THE LOCATIONS OF THE UTILITIES SHOWN WERE PROVIDED BY IDOT, ARE APPROXIMATIONS AND ARE NOT TO BE SCALED OFF THE DRAWINGS AND UTILIZED FOR CONSTRUCTION PURPOSES. THE CONTRACTOR IS RESPONSIBLE FOR CONTACTING EACH LOCAL UTILITY AND REQUESTING A FIELD LOCATE OF THE UTILITY'S EXISTING FACILITIES IN THE CONSTRUCTION AREA PRIOR TO BEGINNING ANY WORK.
- THE CONTRACTOR SHALL INSTALL THE PROPOSED SERVICE POLE A MINIMUM OF 3 FT INSIDE THE IDOT ROW LINE.

LEGEND:

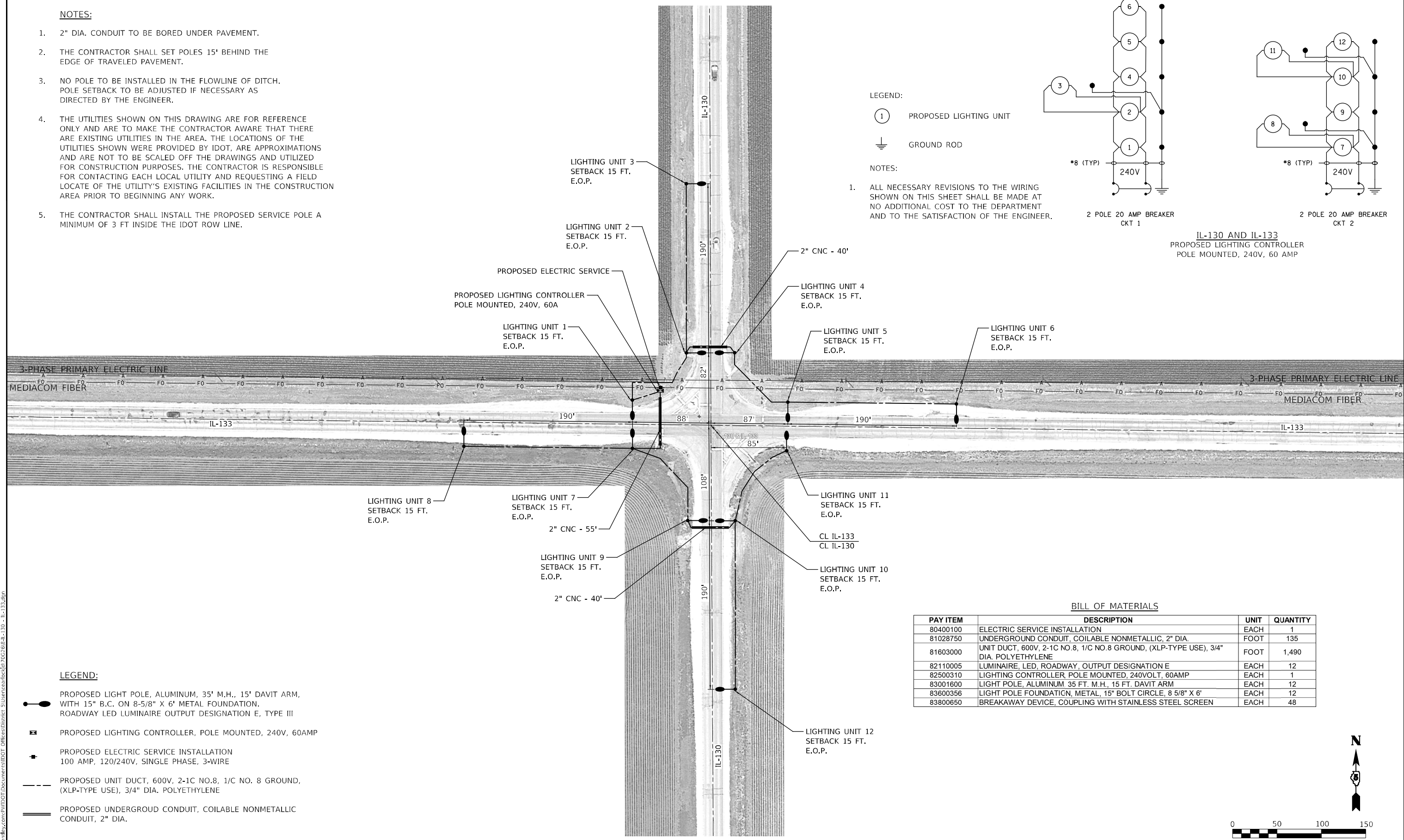
- ① PROPOSED LIGHTING UNIT
- ⏚ GROUND ROD

NOTES:

- ALL NECESSARY REVISIONS TO THE WIRING SHOWN ON THIS SHEET SHALL BE MADE AT NO ADDITIONAL COST TO THE DEPARTMENT AND TO THE SATISFACTION OF THE ENGINEER.



IL-130 AND IL-133
PROPOSED LIGHTING CONTROLLER
POLE MOUNTED, 240V, 60 AMP

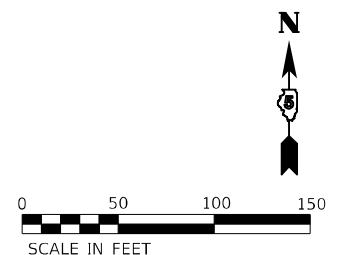


BILL OF MATERIALS

PAY ITEM	DESCRIPTION	UNIT	QUANTITY
80400100	ELECTRIC SERVICE INSTALLATION	EACH	1
81028750	UNDERGROUND CONDUIT, COILABLE NONMETALLIC, 2" DIA.	FOOT	135
81603000	UNIT DUCT, 600V, 2-1C NO.8, 1/C NO.8 GROUND, (XLP-TYPE USE), 3/4" DIA. POLYETHYLENE	FOOT	1,490
82110005	LUMINAIRE, LED, ROADWAY, OUTPUT DESIGNATION E	EACH	12
82500310	LIGHTING CONTROLLER, POLE MOUNTED, 240VOLT, 60AMP	EACH	1
83001600	LIGHT POLE, ALUMINUM 35 FT. M.H., 15 FT. DAVIT ARM	EACH	12
83600356	LIGHT POLE FOUNDATION, METAL, 15" BOLT CIRCLE, 8 5/8" X 6"	EACH	12
83800650	BREAKAWAY DEVICE, COUPLING WITH STAINLESS STEEL SCREEN	EACH	48

LEGEND:

- PROPOSED LIGHT POLE, ALUMINUM, 35' M.H., 15' DAVIT ARM, WITH 15" B.C. ON 8-5/8" X 6" METAL FOUNDATION. ROADWAY LED LUMINAIRE OUTPUT DESIGNATION E, TYPE III
- PROPOSED LIGHTING CONTROLLER, POLE MOUNTED, 240V, 60AMP
- PROPOSED ELECTRIC SERVICE INSTALLATION 100 AMP, 120/240V, SINGLE PHASE, 3-WIRE
- PROPOSED UNIT DUCT, 600V, 2-1C NO.8, 1/C NO. 8 GROUND, (XLP-TYPE USE), 3/4" DIA. POLYETHYLENE
- === PROPOSED UNDERGROUD CONDUIT, COILABLE NONMETALLIC CONDUIT, 2" DIA.



MODEL: \\MODEL\MAME FILE NAME: \\pub\cadd\ba\benefy.com\PIV\DOT\Documents\IDOT\offices\Dir\rdet_Silver\cadd\ba\70G26\IL-130 - IL-133.dwg

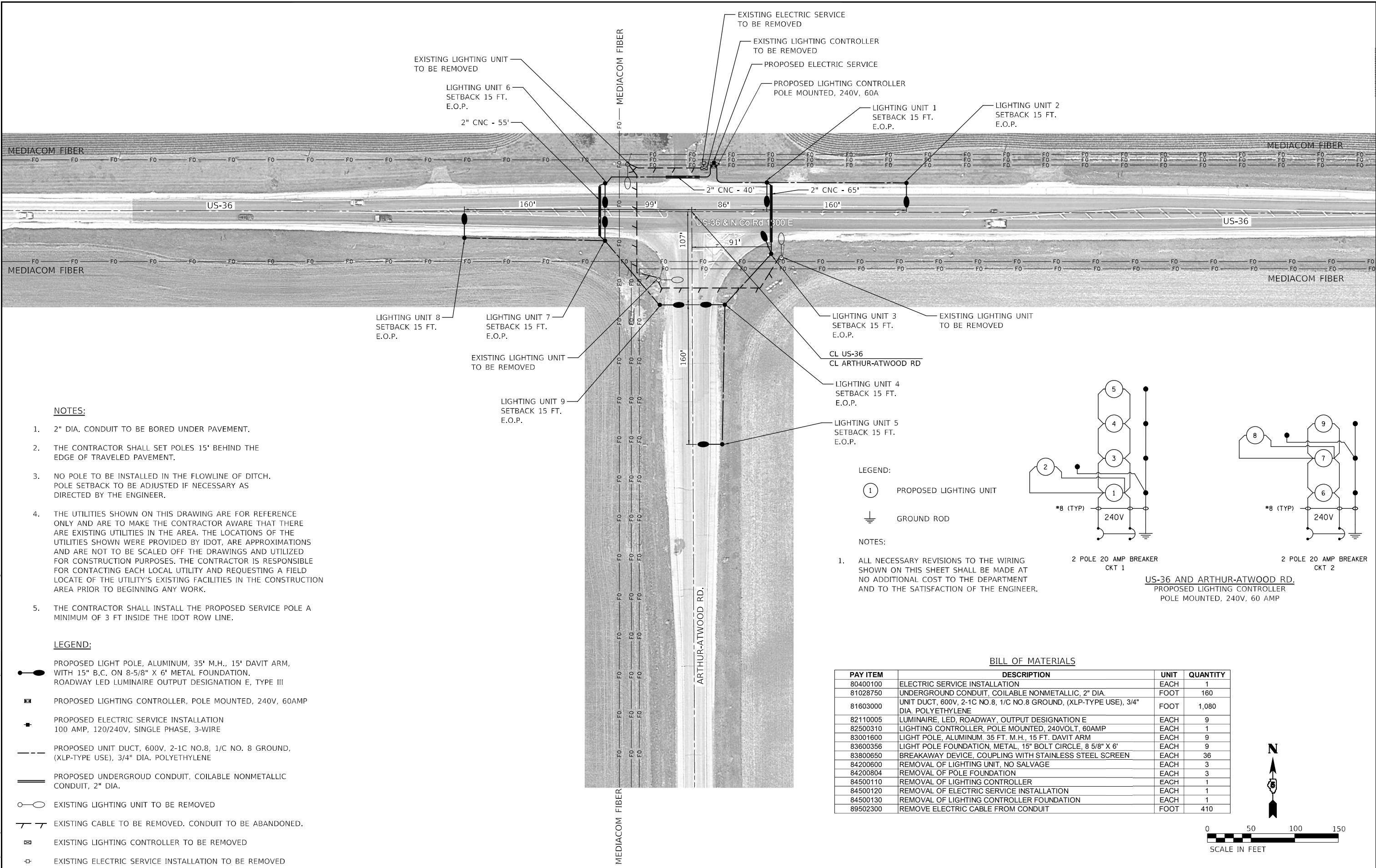
USER NAME = Justh.Cearlock	DESIGNED - MT	REVISD -
PLOT SCALE = 100,0000' / in.	CHECKED - WS	REVISD -
PLOT DATE = 8/3/2023	DATE - 06/02/2023	REVISD -

**STATE OF ILLINOIS
DEPARTMENT OF TRANSPORTATION**

**LIGHTING IMPROVEMENTS
IL-130 AND IL-133**

SCALE: SHEET OF SHEETS STA. TO STA.

F.A. RTE.	SECTION	COUNTY	TOTAL SHEETS	SHEET NO.
		VARIOUS	19	11
CONTRACT NO. 70G26				
ILLINOIS FED. AID PROJECT				



NOTES:

- 2" DIA. CONDUIT TO BE BORED UNDER PAVEMENT.
- THE CONTRACTOR SHALL SET POLES 15' BEHIND THE EDGE OF TRAVELED PAVEMENT.
- NO POLE TO BE INSTALLED IN THE FLOWLINE OF DITCH. POLE SETBACK TO BE ADJUSTED IF NECESSARY AS DIRECTED BY THE ENGINEER.
- THE UTILITIES SHOWN ON THIS DRAWING ARE FOR REFERENCE ONLY AND ARE TO MAKE THE CONTRACTOR AWARE THAT THERE ARE EXISTING UTILITIES IN THE AREA. THE LOCATIONS OF THE UTILITIES SHOWN WERE PROVIDED BY IDOT, ARE APPROXIMATIONS AND ARE NOT TO BE SCALED OFF THE DRAWINGS AND UTILIZED FOR CONSTRUCTION PURPOSES. THE CONTRACTOR IS RESPONSIBLE FOR CONTACTING EACH LOCAL UTILITY AND REQUESTING A FIELD LOCATE OF THE UTILITY'S EXISTING FACILITIES IN THE CONSTRUCTION AREA PRIOR TO BEGINNING ANY WORK.
- THE CONTRACTOR SHALL INSTALL THE PROPOSED SERVICE POLE A MINIMUM OF 3 FT INSIDE THE IDOT ROW LINE.

LEGEND:

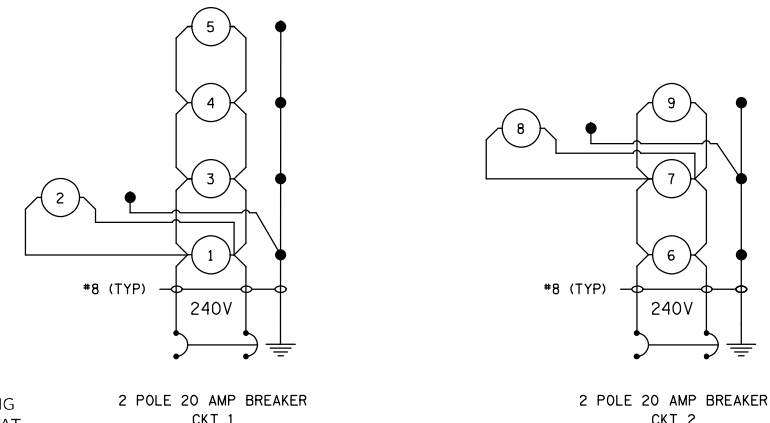
- PROPOSED LIGHT POLE, ALUMINUM, 35' M.H., 15' DAVIT ARM, WITH 15" B.C. ON 8-5/8" X 6" METAL FOUNDATION, ROADWAY LED LUMINAIRE OUTPUT DESIGNATION E, TYPE III
- PROPOSED LIGHTING CONTROLLER, POLE MOUNTED, 240V, 60AMP
- PROPOSED ELECTRIC SERVICE INSTALLATION 100 AMP, 120/240V, SINGLE PHASE, 3-WIRE
- PROPOSED UNIT DUCT, 600V, 2-1C NO.8, 1/C NO. 8 GROUND, (XLP-TYPE USE), 3/4" DIA. POLYETHYLENE
- PROPOSED UNDERGROUND CONDUIT, COILABLE NONMETALLIC CONDUIT, 2" DIA.
- EXISTING LIGHTING UNIT TO BE REMOVED
- EXISTING CABLE TO BE REMOVED. CONDUIT TO BE ABANDONED.
- EXISTING LIGHTING CONTROLLER TO BE REMOVED
- EXISTING ELECTRIC SERVICE INSTALLATION TO BE REMOVED

LEGEND:

- PROPOSED LIGHTING UNIT
- GROUND ROD

NOTES:

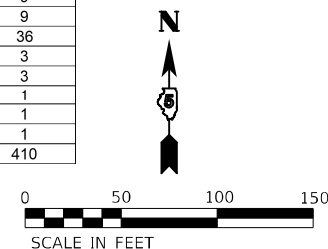
- ALL NECESSARY REVISIONS TO THE WIRING SHOWN ON THIS SHEET SHALL BE MADE AT NO ADDITIONAL COST TO THE DEPARTMENT AND TO THE SATISFACTION OF THE ENGINEER.



US-36 AND ARTHUR-ATWOOD RD.
PROPOSED LIGHTING CONTROLLER
POLE MOUNTED, 240V, 60 AMP

BILL OF MATERIALS

PAY ITEM	DESCRIPTION	UNIT	QUANTITY
80400100	ELECTRIC SERVICE INSTALLATION	EACH	1
81028750	UNDERGROUND CONDUIT, COILABLE NONMETALLIC, 2" DIA.	FOOT	160
81603000	UNIT DUCT, 600V, 2-1C NO.8, 1/C NO.8 GROUND, (XLP-TYPE USE), 3/4" DIA. POLYETHYLENE	FOOT	1,080
82110005	LUMINAIRE, LED, ROADWAY, OUTPUT DESIGNATION E	EACH	9
82500310	LIGHTING CONTROLLER, POLE MOUNTED, 240VOLT, 60AMP	EACH	1
83001600	LIGHT POLE, ALUMINUM 35 FT. M.H., 15 FT. DAVIT ARM	EACH	9
83600356	LIGHT POLE FOUNDATION, METAL, 15" BOLT CIRCLE, 8 5/8" X 6"	EACH	9
83800650	BREAKAWAY DEVICE, COUPLING WITH STAINLESS STEEL SCREEN	EACH	36
84200600	REMOVAL OF LIGHTING UNIT, NO SALVAGE	EACH	3
84200804	REMOVAL OF POLE FOUNDATION	EACH	3
84500110	REMOVAL OF LIGHTING CONTROLLER	EACH	1
84500120	REMOVAL OF ELECTRIC SERVICE INSTALLATION	EACH	1
84500130	REMOVAL OF LIGHTING CONTROLLER FOUNDATION	EACH	1
89502300	REMOVE ELECTRIC CABLE FROM CONDUIT	FOOT	410



MODEL: I:\MODEL\NAME FILE: NAME: I:\BIB\BIB-PA-beadefy.com\FW\DOT\Documents\IDOT\Office\Dir\drst_Silver\cedes\70G26\94\94-36 -Arthur-Atwood Rd.dwg

USER NAME = Justin.Cearlock	DESIGNED - MT	REVISED -
DRAWN - PS	REVISIONS -	
PLOT SCALE = 100,0000' / in.	CHECKED - WS	REVISED -
PLOT DATE = 8/3/2023	DATE - 06/02/2023	REVISED -

**STATE OF ILLINOIS
DEPARTMENT OF TRANSPORTATION**

**LIGHTING IMPROVEMENTS
US-36 AND ARTHUR-ATWOOD RD.**

SCALE: SHEET OF SHEETS STA. TO STA.

F.A. RTE.	SECTION	COUNTY	TOTAL SHEETS	SHEET NO.
		VARIOUS	19	12
CONTRACT NO. 70G26				
ILLINOIS FED. AID PROJECT				

NOTES:

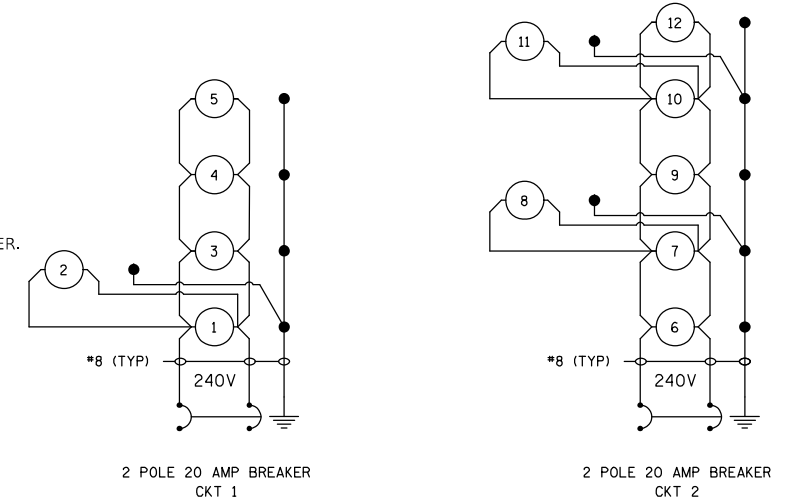
- 2" DIA. CONDUIT TO BE BORED UNDER PAVEMENT.
- THE CONTRACTOR SHALL SET POLES 15' BEHIND THE EDGE OF TRAVELED PAVEMENT.
- NO POLE TO BE INSTALLED IN THE FLOWLINE OF DITCH. POLE SETBACK TO BE ADJUSTED IF NECESSARY AS DIRECTED BY THE ENGINEER.
- THE UTILITIES SHOWN ON THIS DRAWING ARE FOR REFERENCE ONLY AND ARE TO MAKE THE CONTRACTOR AWARE THAT THERE ARE EXISTING UTILITIES IN THE AREA. THE LOCATIONS OF THE UTILITIES SHOWN WERE PROVIDED BY IDOT, ARE APPROXIMATIONS AND ARE NOT TO BE SCALED OFF THE DRAWINGS AND UTILIZED FOR CONSTRUCTION PURPOSES. THE CONTRACTOR IS RESPONSIBLE FOR CONTACTING EACH LOCAL UTILITY AND REQUESTING A FIELD LOCATE OF THE UTILITY'S EXISTING FACILITIES IN THE CONSTRUCTION AREA PRIOR TO BEGINNING ANY WORK.
- THE CONTRACTOR SHALL INSTALL THE PROPOSED SERVICE POLE A MINIMUM OF 3 FT INSIDE THE IDOT ROW LINE.

LEGEND:

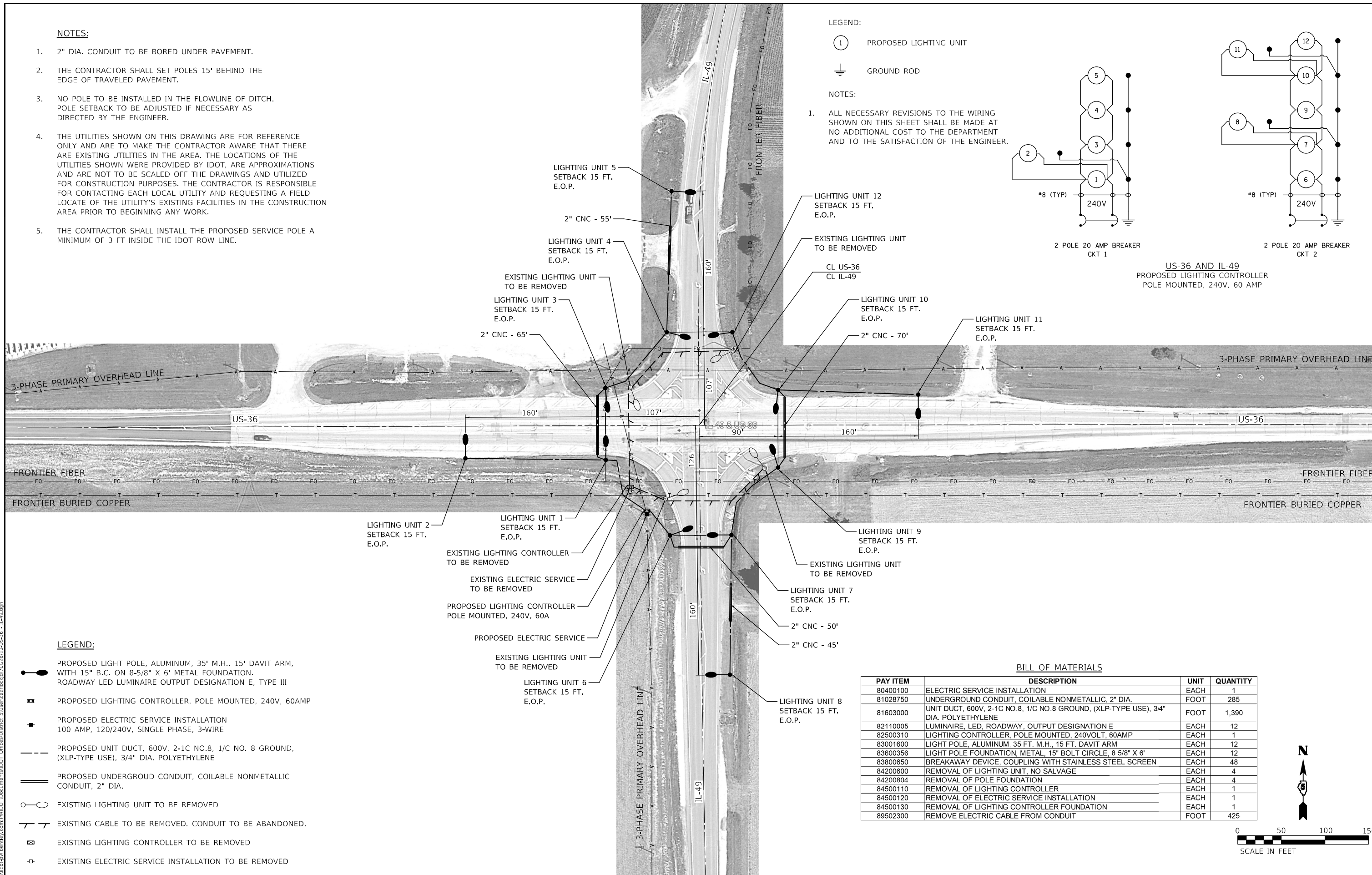
- PROPOSED LIGHTING UNIT
- GROUND ROD

NOTES:

- ALL NECESSARY REVISIONS TO THE WIRING SHOWN ON THIS SHEET SHALL BE MADE AT NO ADDITIONAL COST TO THE DEPARTMENT AND TO THE SATISFACTION OF THE ENGINEER.



US-36 AND IL-49
PROPOSED LIGHTING CONTROLLER
POLE MOUNTED, 240V, 60 AMP

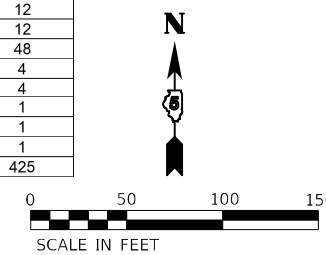


LEGEND:

- PROPOSED LIGHT POLE, ALUMINUM, 35' M.H., 15' DAVIT ARM, WITH 15" B.C. ON 8-5/8" X 6" METAL FOUNDATION. ROADWAY LED LUMINAIRE OUTPUT DESIGNATION E, TYPE III
- PROPOSED LIGHTING CONTROLLER, POLE MOUNTED, 240V, 60AMP
- PROPOSED ELECTRIC SERVICE INSTALLATION 100 AMP, 120/240V, SINGLE PHASE, 3-WIRE
- PROPOSED UNIT DUCT, 600V, 2-1C NO.8, 1/C NO. 8 GROUND, (XLP-TYPE USE), 3/4" DIA. POLYETHYLENE
- PROPOSED UNDERGROUND CONDUIT, COILABLE NONMETALLIC CONDUIT, 2" DIA.
- EXISTING LIGHTING UNIT TO BE REMOVED
- EXISTING CABLE TO BE REMOVED. CONDUIT TO BE ABANDONED.
- EXISTING LIGHTING CONTROLLER TO BE REMOVED
- EXISTING ELECTRIC SERVICE INSTALLATION TO BE REMOVED

BILL OF MATERIALS

PAY ITEM	DESCRIPTION	UNIT	QUANTITY
80400100	ELECTRIC SERVICE INSTALLATION	EACH	1
81028750	UNDERGROUND CONDUIT, COILABLE NONMETALLIC, 2" DIA.	FOOT	285
81603000	UNIT DUCT, 600V, 2-1C NO.8, 1/C NO.8 GROUND, (XLP-TYPE USE), 3/4" DIA. POLYETHYLENE	FOOT	1,390
82110005	LUMINAIRE, LED, ROADWAY, OUTPUT DESIGNATION E	EACH	12
82500310	LIGHTING CONTROLLER, POLE MOUNTED, 240VOLT, 60AMP	EACH	1
83001600	LIGHT POLE, ALUMINUM, 35 FT. M.H., 15 FT. DAVIT ARM	EACH	12
83600356	LIGHT POLE FOUNDATION, METAL, 15" BOLT CIRCLE, 8 5/8" X 6"	EACH	12
83800650	BREAKAWAY DEVICE, COUPLING WITH STAINLESS STEEL SCREEN	EACH	48
84200600	REMOVAL OF LIGHTING UNIT, NO SALVAGE	EACH	4
84200804	REMOVAL OF POLE FOUNDATION	EACH	4
84500110	REMOVAL OF LIGHTING CONTROLLER	EACH	1
84500120	REMOVAL OF ELECTRIC SERVICE INSTALLATION	EACH	1
84500130	REMOVAL OF LIGHTING CONTROLLER FOUNDATION	EACH	1
89502300	REMOVE ELECTRIC CABLE FROM CONDUIT	FOOT	425



MODEL: I:\MODEL\NAME FILE: NAME: I:\BUILDING\... \Documents\IDOT Office\Drawings\Subcontract\70G26\US-36 - IL-49.dwg

USER NAME = Justh.Cearlock	DESIGNED - MT	REVISED -
DRAWN - PS	REVISIONS -	
PLOT SCALE = 100,0000' / in.	CHECKED - WS	REVISED -
PLOT DATE = 8/3/2023	DATE - 06/02/2023	REVISED -

**STATE OF ILLINOIS
DEPARTMENT OF TRANSPORTATION**

**LIGHTING IMPROVEMENTS
US-36 AND IL-49**

SCALE: SHEET OF SHEETS STA. TO STA.

F.A. RTE.	SECTION	COUNTY	TOTAL SHEETS	SHEET NO.
		VARIOUS	19	13
CONTRACT NO. 70G26				
ILLINOIS FED. AID PROJECT				

NOTES:

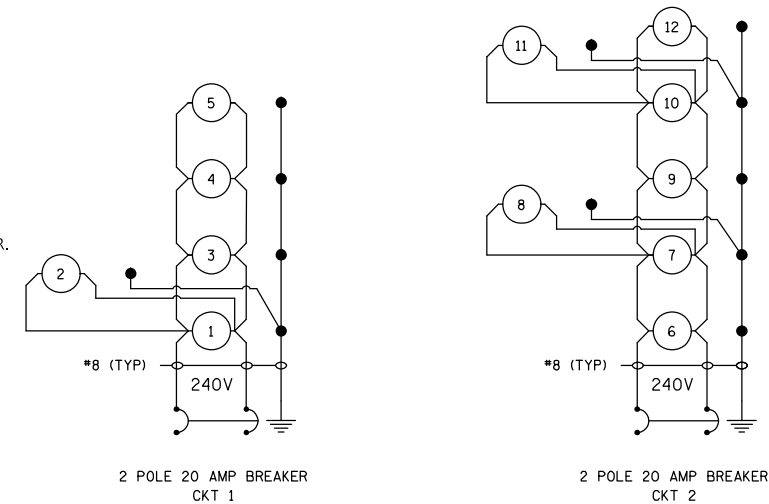
- 2" DIA. CONDUIT TO BE BORED UNDER PAVEMENT.
- THE CONTRACTOR SHALL SET POLES 15' BEHIND THE EDGE OF TRAVELED PAVEMENT.
- NO POLE TO BE INSTALLED IN THE FLOWLINE OF DITCH. POLE SETBACK TO BE ADJUSTED IF NECESSARY AS DIRECTED BY THE ENGINEER.
- THE UTILITIES SHOWN ON THIS DRAWING ARE FOR REFERENCE ONLY AND ARE TO MAKE THE CONTRACTOR AWARE THAT THERE ARE EXISTING UTILITIES IN THE AREA. THE LOCATIONS OF THE UTILITIES SHOWN WERE PROVIDED BY IDOT, ARE APPROXIMATIONS AND ARE NOT TO BE SCALED OFF THE DRAWINGS AND UTILIZED FOR CONSTRUCTION PURPOSES. THE CONTRACTOR IS RESPONSIBLE FOR CONTACTING EACH LOCAL UTILITY AND REQUESTING A FIELD LOCATE OF THE UTILITY'S EXISTING FACILITIES IN THE CONSTRUCTION AREA PRIOR TO BEGINNING ANY WORK.
- THE CONTRACTOR SHALL INSTALL THE PROPOSED SERVICE POLE A MINIMUM OF 3 FT INSIDE THE IDOT ROW LINE.

LEGEND:

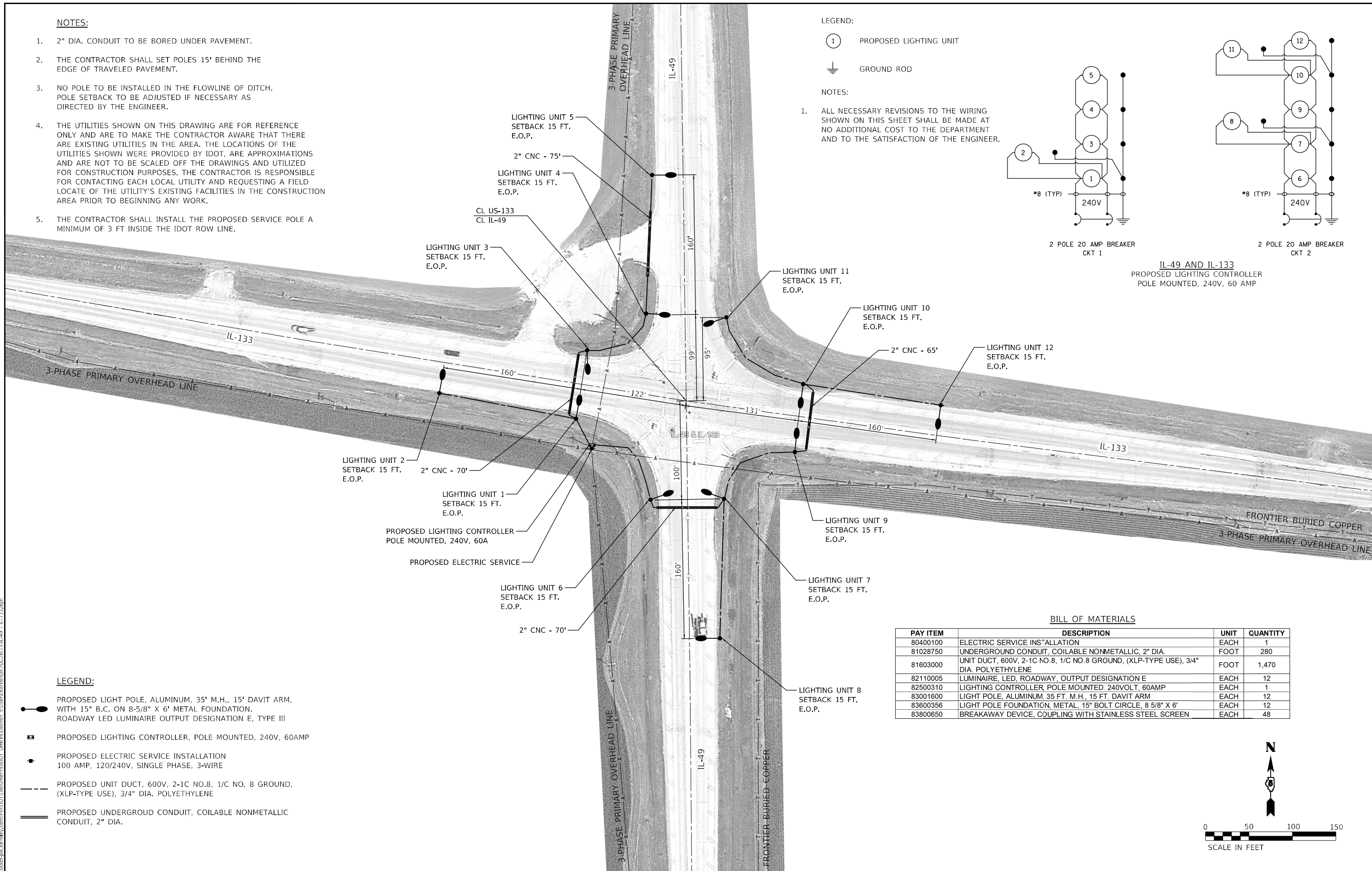
- ① PROPOSED LIGHTING UNIT
- ⊕ GROUND ROD

NOTES:

- ALL NECESSARY REVISIONS TO THE WIRING SHOWN ON THIS SHEET SHALL BE MADE AT NO ADDITIONAL COST TO THE DEPARTMENT AND TO THE SATISFACTION OF THE ENGINEER.



IL-49 AND IL-133
PROPOSED LIGHTING CONTROLLER
POLE MOUNTED, 240V, 60 AMP

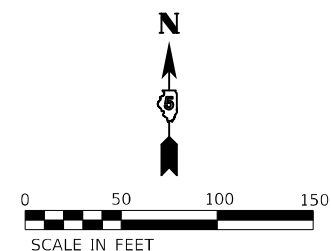


LEGEND:

- PROPOSED LIGHT POLE, ALUMINUM, 35' M.H., 15' DAVIT ARM, WITH 15" B.C. ON 8-5/8" X 6" METAL FOUNDATION. ROADWAY LED LUMINAIRE OUTPUT DESIGNATION E, TYPE III
- PROPOSED LIGHTING CONTROLLER, POLE MOUNTED, 240V, 60AMP
- ⊕ PROPOSED ELECTRIC SERVICE INSTALLATION 100 AMP, 120/240V, SINGLE PHASE, 3-WIRE
- PROPOSED UNIT DUCT, 600V, 2-1C NO.8, 1/C NO. 8 GROUND, (XLP-TYPE USE), 3/4" DIA. POLYETHYLENE
- ==== PROPOSED UNDERGROUND CONDUIT, COILABLE NONMETALLIC CONDUIT, 2" DIA.

BILL OF MATERIALS

PAY ITEM	DESCRIPTION	UNIT	QUANTITY
80400100	ELECTRIC SERVICE INSTALLATION	EACH	1
81028750	UNDERGROUND CONDUIT, COILABLE NONMETALLIC, 2" DIA.	FOOT	280
81603000	UNIT DUCT, 600V, 2-1C NO.8, 1/C NO.8 GROUND, (XLP-TYPE USE), 3/4" DIA. POLYETHYLENE	FOOT	1,470
82110005	LUMINAIRE, LED, ROADWAY, OUTPUT DESIGNATION E	EACH	12
82500310	LIGHTING CONTROLLER, POLE MOUNTED 240VOLT, 60AMP	EACH	1
83001600	LIGHT POLE, ALUMINUM, 35 FT. M.H., 15 FT. DAVIT ARM	EACH	12
83600356	LIGHT POLE FOUNDATION, METAL, 15" BOLT CIRCLE, 8 5/8" X 6"	EACH	12
83800650	BREAKAWAY DEVICE, COUPLING WITH STAINLESS STEEL SCREEN	EACH	48



MODEL: I:\MODEL\MAME FILE NAME: public\ba-beadefy.com\FWIDOT\Documents\IDOT Office\Drawings\Subcontract\70G26\11-IL-49 - IL-133.dwg

USER NAME = Justin.Cearlock	DESIGNED - MT	REVISED -
DRAWN - PS	REVISED -	
PLOT SCALE = 100,0000' / in.	CHECKED - WS	REVISED -
PLOT DATE = 8/3/2023	DATE - 06/02/2023	REVISED -

**STATE OF ILLINOIS
DEPARTMENT OF TRANSPORTATION**

**LIGHTING IMPROVEMENTS
IL-49 AND IL-133**

SCALE: SHEET OF SHEETS STA. TO STA.

F.A. RTE.	SECTION	COUNTY	TOTAL SHEETS	SHEET NO.
		VARIOUS	19	14
CONTRACT NO. 70G26				
ILLINOIS FED. AID PROJECT				

NOTES:

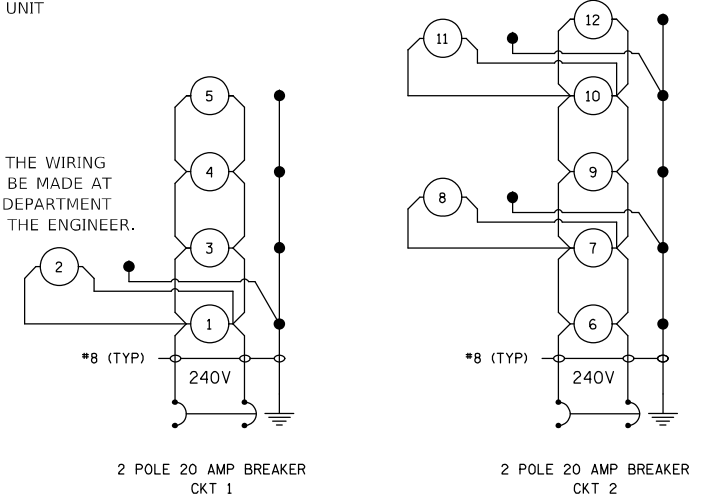
- 2" DIA. CONDUIT TO BE BORED UNDER PAVEMENT.
- THE CONTRACTOR SHALL SET POLES 15' BEHIND THE EDGE OF TRAVELED PAVEMENT.
- NO POLE TO BE INSTALLED IN THE FLOWLINE OF DITCH. POLE SETBACK TO BE ADJUSTED IF NECESSARY AS DIRECTED BY THE ENGINEER.
- THE UTILITIES SHOWN ON THIS DRAWING ARE FOR REFERENCE ONLY AND ARE TO MAKE THE CONTRACTOR AWARE THAT THERE ARE EXISTING UTILITIES IN THE AREA. THE LOCATIONS OF THE UTILITIES SHOWN WERE PROVIDED BY IDOT, ARE APPROXIMATIONS AND ARE NOT TO BE SCALED OFF THE DRAWINGS AND UTILIZED FOR CONSTRUCTION PURPOSES. THE CONTRACTOR IS RESPONSIBLE FOR CONTACTING EACH LOCAL UTILITY AND REQUESTING A FIELD LOCATE OF THE UTILITY'S EXISTING FACILITIES IN THE CONSTRUCTION AREA PRIOR TO BEGINNING ANY WORK.
- THE CONTRACTOR SHALL INSTALL THE PROPOSED SERVICE POLE A MINIMUM OF 3 FT INSIDE THE IDOT ROW LINE.

LEGEND:

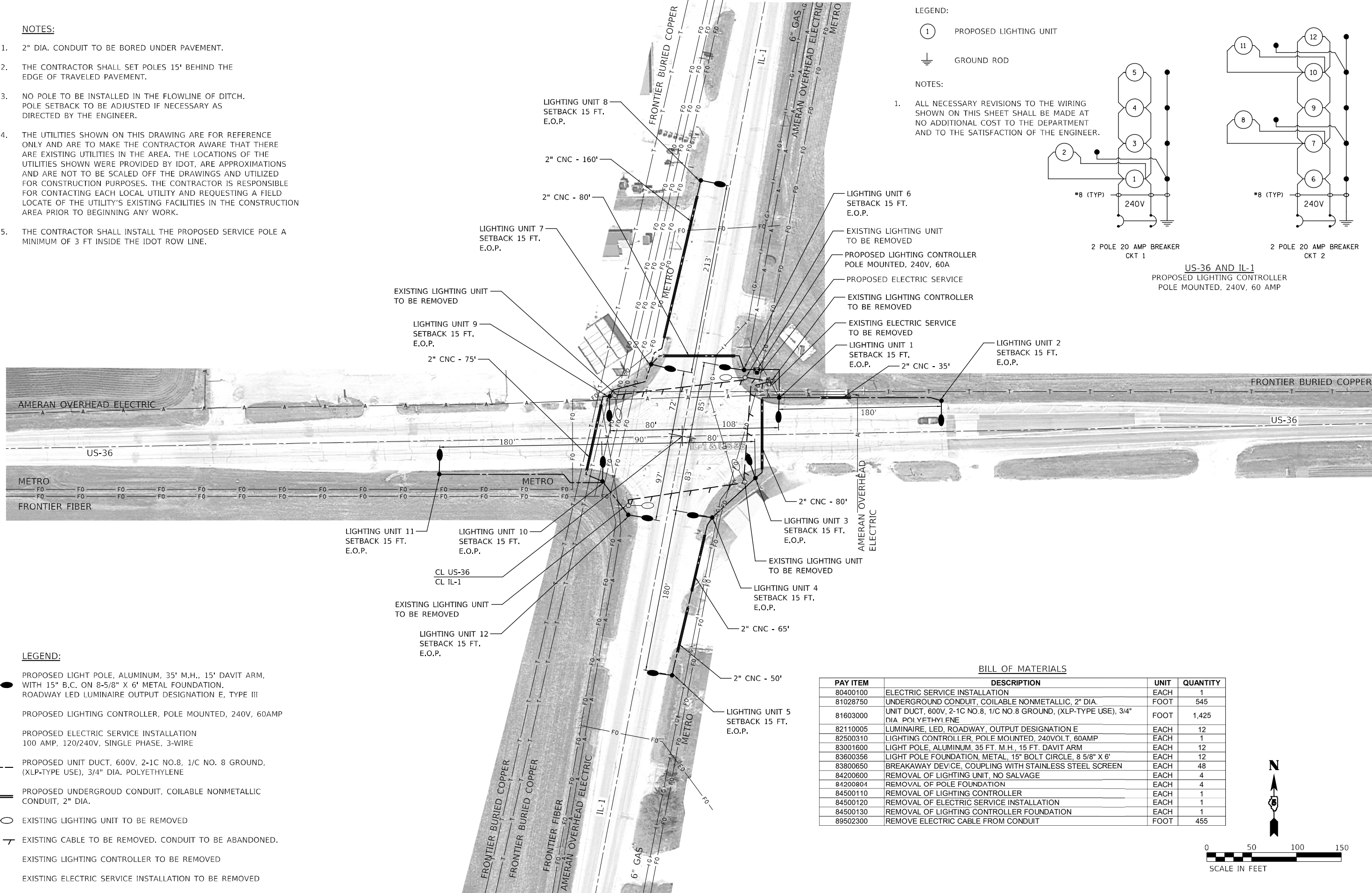
- (1) PROPOSED LIGHTING UNIT
- (⊥) GROUND ROD

NOTES:

- ALL NECESSARY REVISIONS TO THE WIRING SHOWN ON THIS SHEET SHALL BE MADE AT NO ADDITIONAL COST TO THE DEPARTMENT AND TO THE SATISFACTION OF THE ENGINEER.



US-36 AND IL-1
PROPOSED LIGHTING CONTROLLER
POLE MOUNTED, 240V, 60 AMP

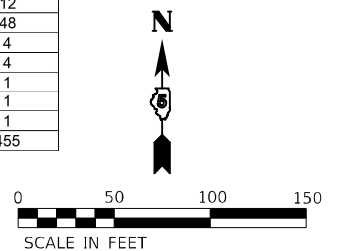


LEGEND:

- PROPOSED LIGHT POLE, ALUMINUM, 35' M.H., 15' DAVIT ARM, WITH 15" B.C. ON 8-5/8" X 6" METAL FOUNDATION. ROADWAY LED LUMINAIRE OUTPUT DESIGNATION E, TYPE III
- ⊥ PROPOSED LIGHTING CONTROLLER, POLE MOUNTED, 240V, 60AMP
- PROPOSED ELECTRIC SERVICE INSTALLATION
100 AMP, 120/240V, SINGLE PHASE, 3-WIRE
- PROPOSED UNIT DUCT, 600V, 2-1C NO.8, 1/C NO. 8 GROUND, (XLP-TYPE USE), 3/4" DIA. POLYETHYLENE
- ▬ PROPOSED UNDERGROUND CONDUIT, COILABLE NONMETALLIC CONDUIT, 2" DIA.
- EXISTING LIGHTING UNIT TO BE REMOVED
- EXISTING CABLE TO BE REMOVED. CONDUIT TO BE ABANDONED.
- ⊥ EXISTING LIGHTING CONTROLLER TO BE REMOVED
- ⊥ EXISTING ELECTRIC SERVICE INSTALLATION TO BE REMOVED

BILL OF MATERIALS

PAY ITEM	DESCRIPTION	UNIT	QUANTITY
80400100	ELECTRIC SERVICE INSTALLATION	EACH	1
81028750	UNDERGROUND CONDUIT, COILABLE NONMETALLIC, 2" DIA.	FOOT	545
81603000	UNIT DUCT, 600V, 2-1C NO.8, 1/C NO.8 GROUND, (XLP-TYPE USE), 3/4" DIA. POLYETHYLENE	FOOT	1,425
82110005	LUMINAIRE, LED, ROADWAY, OUTPUT DESIGNATION E	EACH	12
82500310	LIGHTING CONTROLLER, POLE MOUNTED, 240VOLT, 60AMP	EACH	1
83001600	LIGHT POLE, ALUMINUM, 35 FT. M.H., 15 FT. DAVIT ARM	EACH	12
83600356	LIGHT POLE FOUNDATION, METAL, 15" BOLT CIRCLE, 8 5/8" X 6"	EACH	12
83800650	BREAKAWAY DEVICE, COUPLING WITH STAINLESS STEEL SCREEN	EACH	48
84200600	REMOVAL OF LIGHTING UNIT, NO SALVAGE	EACH	4
84200804	REMOVAL OF POLE FOUNDATION	EACH	4
84500110	REMOVAL OF LIGHTING CONTROLLER	EACH	1
84500120	REMOVAL OF ELECTRIC SERVICE INSTALLATION	EACH	1
84500130	REMOVAL OF LIGHTING CONTROLLER FOUNDATION	EACH	1
89502300	REMOVE ELECTRIC CABLE FROM CONDUIT	FOOT	455



MODEL: \\MODELNAME
FILE: \\NAME: \\PROJECT: \\PROJECTNAME\Documents\IDOT\Office\Drawings\Subcontract\70G26\12-US-36 - IL-1.dwg

USER NAME = Justh.Cearlock	DESIGNED - MT	REVISED -
PLOT SCALE = 100,0000' / in.	DRAWN - PS	REVISED -
PLOT DATE = 8/3/2023	CHECKED - WS	REVISED -
	DATE - 06/02/2023	REVISED -

**STATE OF ILLINOIS
DEPARTMENT OF TRANSPORTATION**

**LIGHTING IMPROVEMENTS
US-36 AND IL-1**

SCALE: SHEET OF SHEETS STA. TO STA.

F.A. RTE.	SECTION	COUNTY	TOTAL SHEETS	SHEET NO.
		VARIOUS	19	15
CONTRACT NO. 70G26				
ILLINOIS FED. AID PROJECT				

NOTES:

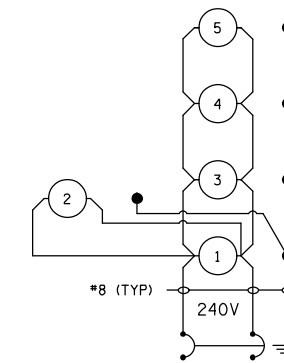
- 2" DIA. CONDUIT TO BE BORED UNDER PAVEMENT.
- THE CONTRACTOR SHALL SET POLES 15' BEHIND THE EDGE OF TRAVELED PAVEMENT.
- NO POLE TO BE INSTALLED IN THE FLOWLINE OF DITCH. POLE SETBACK TO BE ADJUSTED IF NECESSARY AS DIRECTED BY THE ENGINEER.
- THE UTILITIES SHOWN ON THIS DRAWING ARE FOR REFERENCE ONLY AND ARE TO MAKE THE CONTRACTOR AWARE THAT THERE ARE EXISTING UTILITIES IN THE AREA. THE LOCATIONS OF THE UTILITIES SHOWN WERE PROVIDED BY IDOT, ARE APPROXIMATIONS AND ARE NOT TO BE SCALED OFF THE DRAWINGS AND UTILIZED FOR CONSTRUCTION PURPOSES. THE CONTRACTOR IS RESPONSIBLE FOR CONTACTING EACH LOCAL UTILITY AND REQUESTING A FIELD LOCATE OF THE UTILITY'S EXISTING FACILITIES IN THE CONSTRUCTION AREA PRIOR TO BEGINNING ANY WORK.
- THE CONTRACTOR SHALL INSTALL THE PROPOSED SERVICE POLE A MINIMUM OF 3 FT INSIDE THE IDOT ROW LINE.

LEGEND:

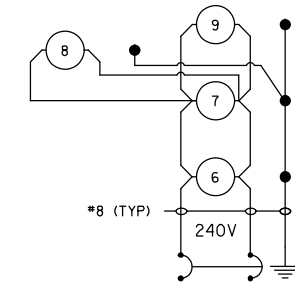
- ① PROPOSED LIGHTING UNIT
- ⚡ GROUND ROD

NOTES:

- ALL NECESSARY REVISIONS TO THE WIRING SHOWN ON THIS SHEET SHALL BE MADE AT NO ADDITIONAL COST TO THE DEPARTMENT AND TO THE SATISFACTION OF THE ENGINEER.

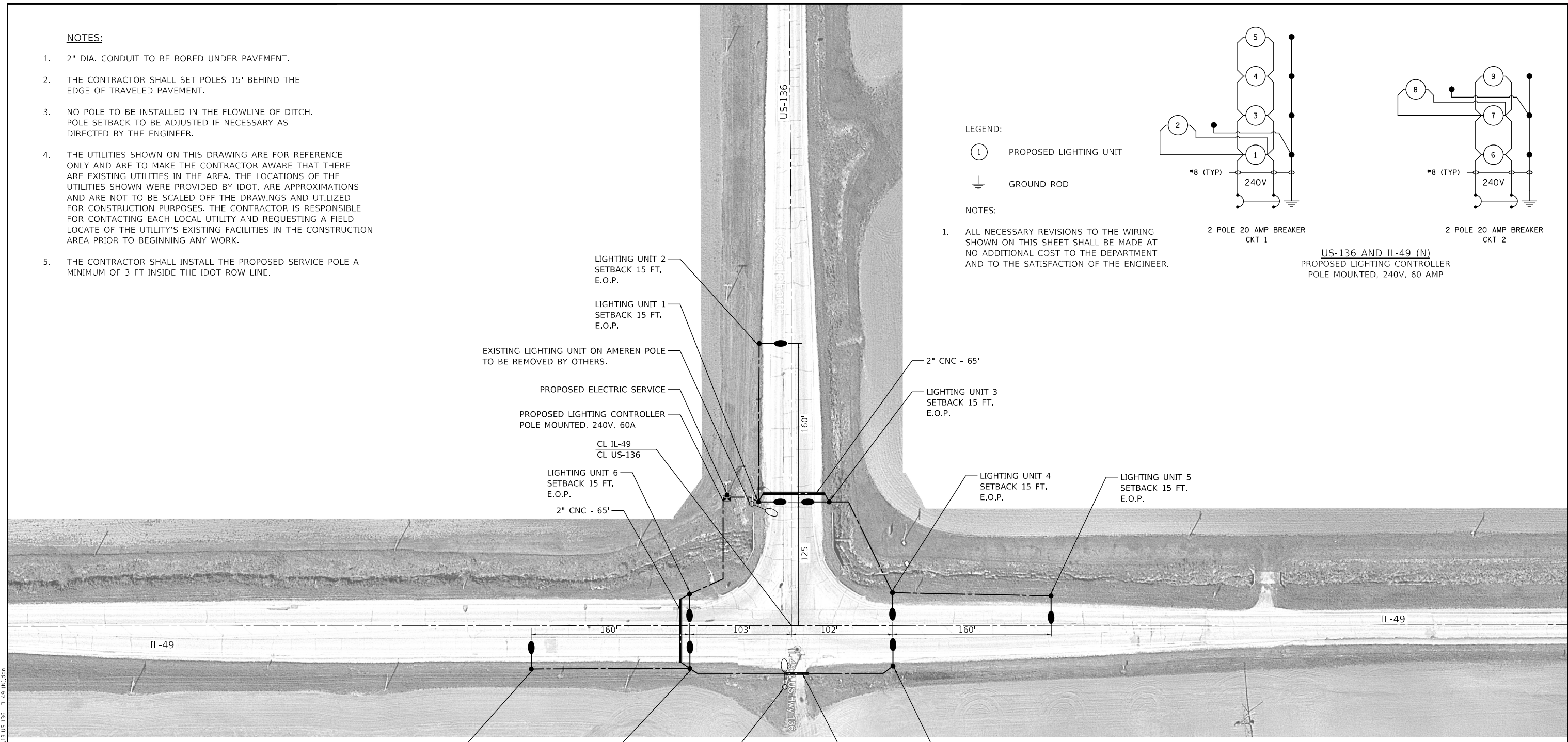


2 POLE 20 AMP BREAKER
CKT 1



2 POLE 20 AMP BREAKER
CKT 2

US-136 AND IL-49 (N)
PROPOSED LIGHTING CONTROLLER
POLE MOUNTED, 240V, 60 AMP



LEGEND:

- PROPOSED LIGHT POLE, ALUMINUM, 35' M.H., 15' DAVIT ARM, WITH 15" B.C. ON 8-5/8" X 6" METAL FOUNDATION. ROADWAY LED LUMINAIRE OUTPUT DESIGNATION E, TYPE III
- ⊞ PROPOSED LIGHTING CONTROLLER, POLE MOUNTED, 240V, 60AMP
- ⊞ PROPOSED ELECTRIC SERVICE INSTALLATION 100 AMP, 120/240V, SINGLE PHASE, 3-WIRE
- PROPOSED UNIT DUCT, 600V, 2-1C NO.8, 1/C NO. 8 GROUND, (XLP-TYPE USE), 3/4" DIA. POLYETHYLENE
- === PROPOSED UNDERGROUND CONDUIT, COILABLE NONMETALLIC CONDUIT, 2" DIA.
- EXISTING LIGHTING UNIT TO BE REMOVED BY OTHERS

BILL OF MATERIALS

PAY ITEM	DESCRIPTION	UNIT	QUANTITY
80400100	ELECTRIC SERVICE INSTALLATION	EACH	1
81028750	UNDERGROUND CONDUIT, COILABLE NONMETALLIC, 2" DIA.	FOOT	155
81603000	UNIT DUCT, 600V, 2-1C NO.8, 1/C NO.8 GROUND, (XLP-TYPE USE), 3/4" DIA. POLYETHYLENE	FOOT	1,215
82110005	LUMINAIRE, LED, ROADWAY, OUTPUT DESIGNATION E	EACH	9
82500310	LIGHTING CONTROLLER, POLE MOUNTED, 240VOLT, 60AMP	EACH	1
83001600	LIGHT POLE, ALUMINUM, 35 FT. M.H., 15 FT. DAVIT ARM	EACH	9
83600356	LIGHT POLE FOUNDATION, METAL, 15" BOLT CIRCLE, 8 5/8" X 6"	EACH	9
83800650	BREAKAWAY DEVICE, COUPLING WITH STAINLESS STEEL SCREEN	EACH	36



MODEL: I:\MODEL\NAME FILE: NAME.dwg
 USER: JUSTIN.CEARLOCK
 DATE: 8/3/2023
 PROJECT: ILLINOIS DEPARTMENT OF TRANSPORTATION
 SHEET: 19 OF 16
 CONTRACT NO. 70G26

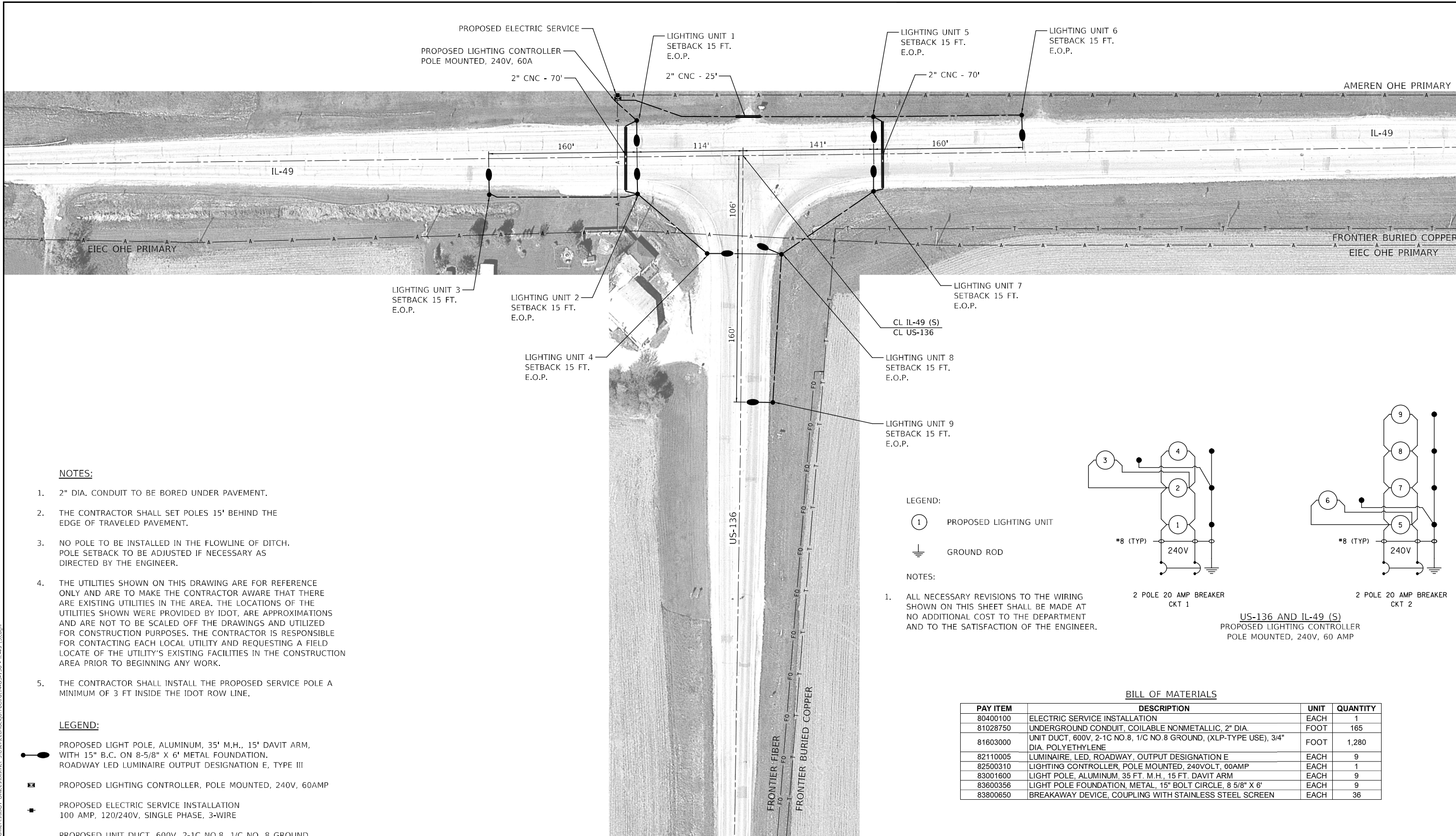
USER NAME = Justin.Cearlock	DESIGNED - MT	REVISED -
DRAWN - PS	CHECKED - WS	REVISED -
PLOT SCALE = 100,0000' / in.	DATE - 06/02/2023	REVISED -
PLOT DATE = 8/3/2023		

**STATE OF ILLINOIS
DEPARTMENT OF TRANSPORTATION**

**LIGHTING IMPROVEMENTS
US-136 AND IL-49 (N)**

SCALE: SHEET OF SHEETS STA. TO STA.

F.A. RTE.	SECTION	COUNTY	TOTAL SHEETS	SHEET NO.
		VARIOUS	19	16
CONTRACT NO. 70G26				
ILLINOIS FED. AID PROJECT				



NOTES:

- 2" DIA. CONDUIT TO BE BORED UNDER PAVEMENT.
- THE CONTRACTOR SHALL SET POLES 15' BEHIND THE EDGE OF TRAVELED PAVEMENT.
- NO POLE TO BE INSTALLED IN THE FLOWLINE OF DITCH. POLE SETBACK TO BE ADJUSTED IF NECESSARY AS DIRECTED BY THE ENGINEER.
- THE UTILITIES SHOWN ON THIS DRAWING ARE FOR REFERENCE ONLY AND ARE TO MAKE THE CONTRACTOR AWARE THAT THERE ARE EXISTING UTILITIES IN THE AREA. THE LOCATIONS OF THE UTILITIES SHOWN WERE PROVIDED BY IDOT, ARE APPROXIMATIONS AND ARE NOT TO BE SCALED OFF THE DRAWINGS AND UTILIZED FOR CONSTRUCTION PURPOSES. THE CONTRACTOR IS RESPONSIBLE FOR CONTACTING EACH LOCAL UTILITY AND REQUESTING A FIELD LOCATE OF THE UTILITY'S EXISTING FACILITIES IN THE CONSTRUCTION AREA PRIOR TO BEGINNING ANY WORK.
- THE CONTRACTOR SHALL INSTALL THE PROPOSED SERVICE POLE A MINIMUM OF 3 FT INSIDE THE IDOT ROW LINE.

LEGEND:

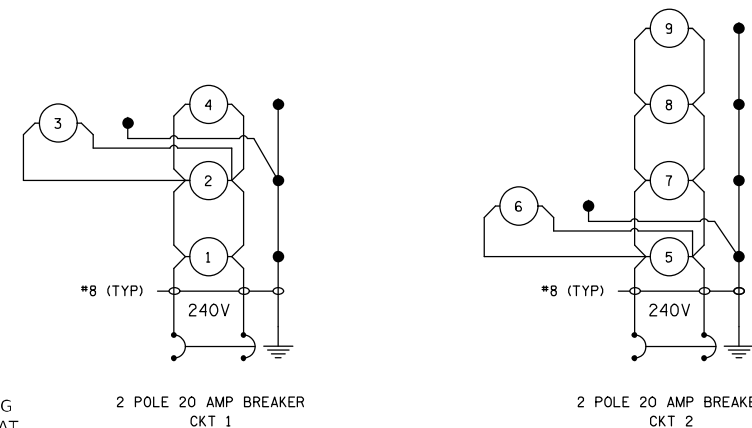
- PROPOSED LIGHT POLE, ALUMINUM, 35' M.H., 15' DAVIT ARM, WITH 15" B.C. ON 8-5/8" X 6" METAL FOUNDATION. ROADWAY LED LUMINAIRE OUTPUT DESIGNATION E, TYPE III
- PROPOSED LIGHTING CONTROLLER, POLE MOUNTED, 240V, 60AMP
- PROPOSED ELECTRIC SERVICE INSTALLATION 100 AMP, 120/240V, SINGLE PHASE, 3-WIRE
- PROPOSED UNIT DUCT, 600V, 2-1C NO.8, 1/C NO. 8 GROUND, (XLP-TYPE USE), 3/4" DIA. POLYETHYLENE
- PROPOSED UNDERGROUD CONDUIT, COILABLE NONMETALLIC CONDUIT, 2" DIA.

LEGEND:

- PROPOSED LIGHTING UNIT
- GROUND ROD

NOTES:

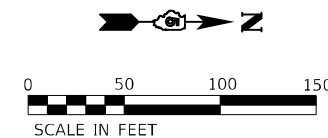
- ALL NECESSARY REVISIONS TO THE WIRING SHOWN ON THIS SHEET SHALL BE MADE AT NO ADDITIONAL COST TO THE DEPARTMENT AND TO THE SATISFACTION OF THE ENGINEER.



US-136 AND IL-49 (S)
PROPOSED LIGHTING CONTROLLER
POLE MOUNTED, 240V, 60 AMP

BILL OF MATERIALS

PAY ITEM	DESCRIPTION	UNIT	QUANTITY
80400100	ELECTRIC SERVICE INSTALLATION	EACH	1
81028750	UNDERGROUND CONDUIT, COILABLE NONMETALLIC, 2" DIA.	FOOT	165
81603000	UNIT DUCT, 600V, 2-1C NO.8, 1/C NO.8 GROUND, (XLP-TYPE USE), 3/4" DIA. POLYETHYLENE	FOOT	1,280
82110005	LUMINAIRE, LED, ROADWAY, OUTPUT DESIGNATION E	EACH	9
82500310	LIGHTING CONTROLLER, POLE MOUNTED, 240VOLT, 60AMP	EACH	1
83001600	LIGHT POLE, ALUMINUM, 35 FT. M.H., 15 FT. DAVIT ARM	EACH	9
83600356	LIGHT POLE FOUNDATION, METAL, 15" BOLT CIRCLE, 8 5/8" X 6"	EACH	9
83800650	BREAKAWAY DEVICE, COUPLING WITH STAINLESS STEEL SCREEN	EACH	36



MODEL: I:\MODEL\MMF5 FILE: MMF5.dwg DATE: 8/3/2023 10:00:00 AM USER: jstark

USER NAME = Justin.Cearlock	DESIGNED - MT	REVISED -
PLOT SCALE = 100,0000 ' / in.	DRAWN - PS	REVISED -
PLOT DATE = 8/3/2023	CHECKED - WS	REVISED -
	DATE - 06/02/2023	REVISED -

**STATE OF ILLINOIS
DEPARTMENT OF TRANSPORTATION**

**LIGHTING IMPROVEMENTS
US-136 AND IL-49 (S)**

SCALE: SHEET OF SHEETS STA. TO STA.

F.A. RTE.	SECTION	COUNTY	TOTAL SHEETS	SHEET NO.
		VARIOUS	19	17
CONTRACT NO. 70G26				
ILLINOIS FED. AID PROJECT				

Project

Date	Contract Number	Section Number	County
4/27/23	70G26	N/A	CHAMPAIGN, DOUGLAS, PIATT, EDGAR, & VERMILION

Marked Route Number	Municipality
VARIOUS	N/A

Roadway

Lane Width	#of Lanes	Median Width	I.E.S Surface Classification	0-Zero Value
12 FT	3	N/A	R3	0.07

Structure

Mounting Height	Arm Length	Set Back	Number of Luminaires (Highmast & Sign Lighting Only)
35 FT	15 FT	15 FT	N/A

Luminaire

Description	I.E.S. Lateral Distribution	I.E.S. Vertical Distribution
ROADWAY, OUTPUT DESIGNATION E	TYPE III	MEDIUM

Total Light Loss Factor (LLF)	BUG Rating	Shields	Dimming Protocol
0.700	U = 0	N/A	0-10V

Layout

Spacing (to Nearest 5 Ft) Configuration (Opposite, Staggered, 1 Sided, or Median)
120 FT SINGLE SIDED

Performance

Average Illuminance, E_{AVE} (fc)	Uniformity Ratio, E_{AVE}/E_{MIN}
0.8	3.0

Average Luminance, L_{AVE} (cd/m ²)	Uniformity Ratio, L_{AVE}/L_{MIN}	Uniformity Ratio, L_{MAX}/L_{MIN}	Veiling Luminance Ratio, L_v/L_{MIN}
0.6	3.5	6.0	0.3:1

Light Trespass

Distance to ROW (behind pole)	Max. Horizontal Illuminance at ROW, E	Max. Vertical Illuminance at ROW, E
N/A	N/A	N/A

Notes

1. Set Back is from Edge of Pavement (white line) except for sign luminaires when it is vertical and horizontal distance from the sign to the luminaire.
2. Lighting calculations shall be performed with all luminaires oriented toward and perpendicular to roadway.
3. Total Light Loss Factor (LLF) = the product of "Lumen Maintenance" (LLD) = 0.9, "Dirt Depreciation" (LDD) = 0.8, and "Equipment Factors" (EF) = 0.95.
4. Performance requirements shall be the minimum acceptable standards of photometric performance for the luminaire, based on the given conditions above.

PHOTOMETRIC CALCULATIONS TO BE PERFORMED IN ONE DIRECTION ONLY.
 COMPLIANCE WITH PERFORMANCE CRITERIA SHALL BE HELD TO ONE SIGNIFICANT DIGIT.

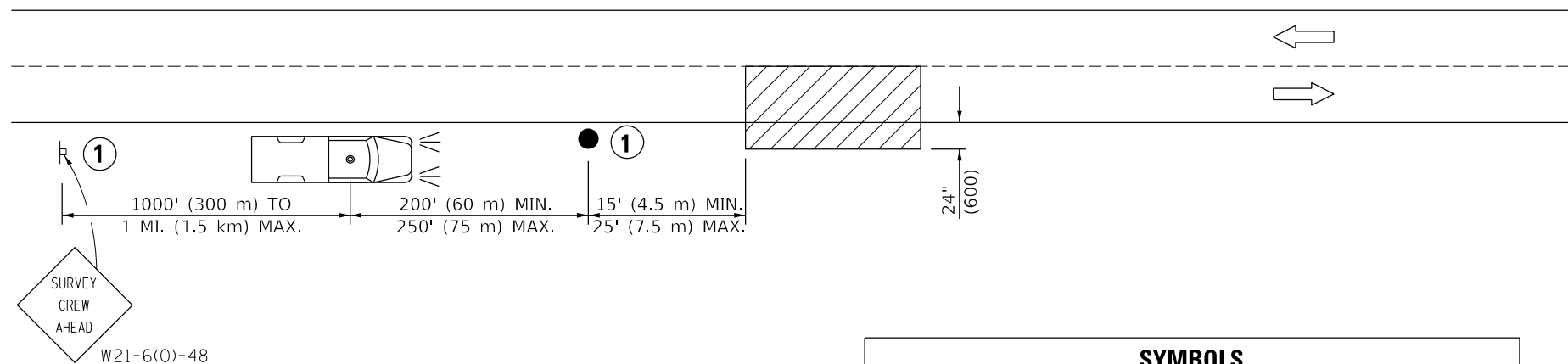
LUMINAIRE PERFORMANCE TABLE

VARIOUS INTERSECTIONS
 APPLICABLE FOR ALL INTERSECTIONS IN THIS CONTRACT.

MODEL: LUMINAIRE
 FILE NAME: 21115

* CHAMPAIGN, DOUGLAS, PIATT, EDGAR, & VERMILION

USER NAME = \$USERS PLOT SCALE = \$SCALES PLOT DATE = \$DATES	DESIGNED - MT DRAWN - PS CHECKED - WS DATE - 06/02/2023	REVISED - REVISED - REVISED - REVISED -	STATE OF ILLINOIS DEPARTMENT OF TRANSPORTATION	LUMINAIRE PERFORMANCE TABLE	F.A. RTE.	SECTION	COUNTY	TOTAL SHEETS	SHEET NO.		
						VARIOUS		19	18		
						CONTRACT NO. 70G26					
						ILLINOIS FED. AID PROJECT					
						SCALE:	SHEET	OF	SHEETS	STA.	TO STA.



TYPICAL APPLICATIONS
UTILITY OPERATIONS

SYMBOLS	
	WORK AREA
	SIGN ON PORTABLE OR PERMANENT SUPPORT
	TRUCK WITH FLASHING AMBER LIGHT AND DUAL EMERGENCY FLASHERS
	FLAGGER WITH TRAFFIC CONTROL SIGN

① NOT REQUIRED FOR WORK ACTIVITIES IN OR WITHIN 2' OF TRAVELED LANE IN ONE LOCATION FOR LESS THAN 15 MINUTES (BRIEF ENCROACHMENT).

Note: All dimensions are in INCHES (millimeters) unless otherwise shown.

* CHAMPAIGN, DOUGLAS, PIATT, EDGAR, & VERMILION

MODEL NUMBER
FILE NAME: 0615

USER NAME = \$USERS	DESIGNED - MT	REVISED -
	DRAWN - PS	REVISED -
PLOT SCALE = \$SCALE\$	CHECKED - WS	REVISED -
PLOT DATE = \$DATE\$	DATE - 06/02/2023	REVISED -

**STATE OF ILLINOIS
DEPARTMENT OF TRANSPORTATION**

NIGHT TIME INSPECTION OF ROADWAY LIGHTING DETAIL

SCALE: SHEET OF SHEETS STA. TO STA.

F.A. RTE.	SECTION	COUNTY	TOTAL SHEETS	SHEET NO.
		VARIOUS	19	19
CONTRACT NO. 70G26				
ILLINOIS FED. AID PROJECT				