

STATE OF ILLINOIS  
 DEPARTMENT OF TRANSPORTATION  
 DIVISION OF HIGHWAYS

**PROPOSED  
 HIGHWAY PLANS**

**FAU 8282 & TR 804 (PLUM ST & LINCOLN AVE)  
 SECTION: D6 MG-PARKING LOT 2023-1  
 MACOUPIN, SANGAMON COUNTIES**

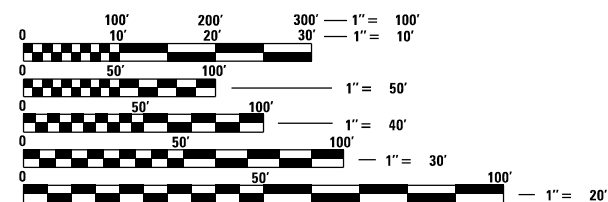
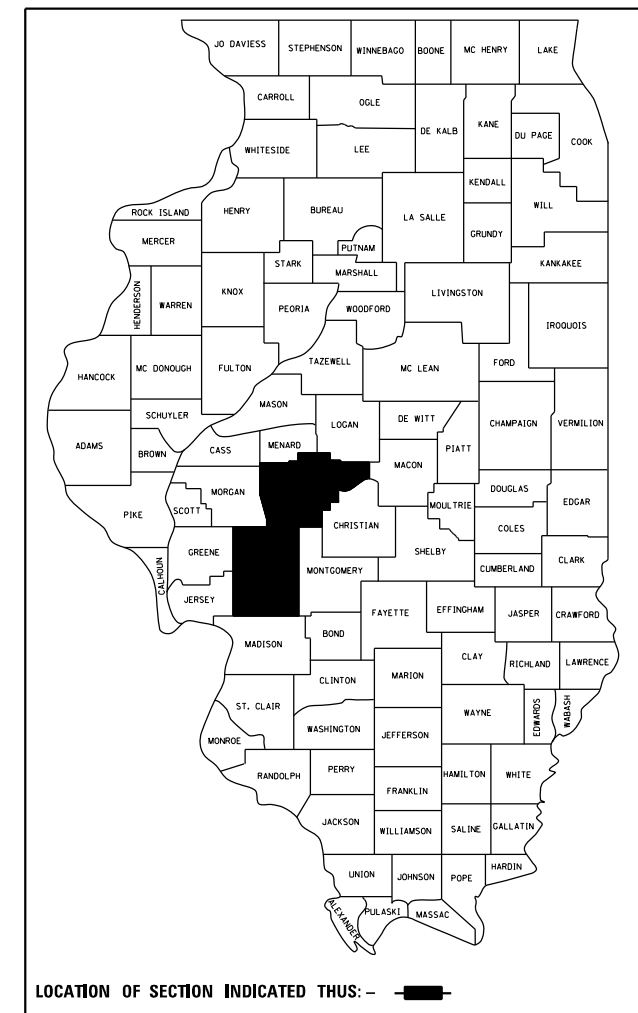
C-96-090-23

FOR INDEX OF SHEETS, SEE SHEET NO. 2

RTE.	SECTION	COUNTY	TOTAL SHEETS	SHEET NO.
*	**	MAC./SANG.	10	1
		ILLINOIS	CONTRACT NO. 72718	

\*FAU 8282, TR804 \*\*PLUM ST, LINCOLN AVE.

D-96-043-23



FULL SIZE PLANS HAVE BEEN PREPARED USING STANDARD ENGINEERING SCALES. REDUCED SIZED PLANS WILL NOT CONFORM TO STANDARD SCALES. IN MAKING MEASUREMENTS ON REDUCED PLANS, THE ABOVE SCALES MAY BE USED.

J.U.L.I.E.  
 JOINT UTILITY LOCATION INFORMATION FOR EXCAVATION  
 1-800-892-0123  
 OR 811

PROJECT ENGINEER: MIKE HAMBY 217-524-7765  
 PROJECT MANAGER: TIM SHARP 217-524-9160

CONTRACT NO. 72718

STATE OF ILLINOIS  
 DEPARTMENT OF TRANSPORTATION  
 DIVISION OF HIGHWAYS

SUBMITTED July 6, 2023

*[Signature]*  
 REGION FOUR ENGINEER

August 18, 2023  
*[Signature]*  
 ENGINEER OF DESIGN AND ENVIRONMENT

August 18, 2023  
*[Signature]*  
 DIRECTOR OF HIGHWAYS PROJECT IMPLEMENTATION

**PRINTED BY THE AUTHORITY  
 OF THE STATE OF ILLINOIS**

## INDEX OF SHEETS

SHEET NO.	DESCRIPTION
1.	COVER SHEET
2.	INDEX OF SHEETS, STANDARDS, GENERAL NOTES & SIGNATURE
3.	SUMMARY OF QUANTITIES
4.	SCHEDULE OF QUANTITIES
5-6.	LOCATION MAPS
7-8.	PLANS
9-10.	DETAILS

## STANDARDS

STANDARD NO.	DESCRIPTION
000001-08	STANDARD SYMBOLS, ABBREVIATIONS AND PATTERNS
001006	DECIMAL OF AN INCH AND OF A FOOT
701001-02	OFF-ROAD OPERATIONS, 2L, 2W, MORE THAN 15' (4.5m) AWAY
701006-05	OFF-ROAD OPERATIONS, 2L, 2W, 15' (4.5m) TO 24" (600mm) FROM EDGE OF PAVEMENT
701901-08	TRAFFIC CONTROL DEVICES

STATE OF ILLINOIS DEPARTMENT OF TRANSPORTATION DIVISION OF HIGHWAYS DISTRICT 6	
EXAMINED	July 7 20 23 <i>[Signature]</i> ENGINEER OF OPERATIONS
EXAMINED	July 7 20 23 <i>[Signature]</i> ENGINEER OF PROJECT IMPLEMENTATION
EXAMINED	July 7 20 23 <i>[Signature]</i> ENGINEER OF PROGRAM DEVELOPMENT

### NOTES:

AGGREGATE GRADATION SHALL BE CA 14, CA 15, CA 16 OR CA 20.

UP TO 3 SWEEPINGS MAY BE REQUIRED BY A ROTARY TYPE BROOM TO REMOVE EXCESS AGGREGATE.

THE FOLLOWING RATES OF APPLICATION HAVE BEEN ASSUMED IN CALCULATING PLAN QUANTITIES:

BITUMINOUS MATERIALS (TACK COAT)	0.05 LBS/SQ FT (EX HMA, MILLED SURFACE)
HMA SURFACE (112 LBS)	0.056 TON/SQUARE YARD - INCH (MIX A-C)

REV. - MS

FILE NAME =	USER NAME = Timothy.Sharp	DESIGNED -	REVISED -	<b>STATE OF ILLINOIS DEPARTMENT OF TRANSPORTATION</b>	<b>INDEX OF SHEETS, STANDARDS GENERAL NOTES, SIGNATURES</b>	RTE.	SECTION	COUNTY	TOTAL SHEETS	SHEET NO.
S:\CONTRMAINT_CAD\72718 - springfield	work\carlinville yards\9-22-2023\carlinville-sp	DRAWN	REVISED			*	**	MAC./SANG.	10	2
Default	PLOT SCALE = 40.0000' / in.	CHECKED -	REVISED -					CONTRACT NO. 72718		ILLINOIS FED. AID PROJECT
	PLOT DATE = 7/7/2023	DATE -	REVISED -			SCALE: _____	SHEET _____ OF _____ SHEETS	STA. _____ TO STA. _____		

\*FAU 8282, TR804\*\*D6 MG-PARKING LOT 2023-1

CODE NO.	ITEM	UNIT	TOTAL QUANTITY	CONSTR. CODE	CONSTR. CODE
				6-01165-9960	6-01165-9961
				100% STATE	100% STATE
				CARLINVILLE	SPRINGFIELD
				MACOUPIN	SANGAMON
				0005	0005
				URBAN	URBAN
20200100	EARTH EXCAVATION	CU YD	1,269	0	1,269
31101200	SUBBASE GRANULAR MATERIAL, TYPE B 4"	SQ YD	4,567	0	4,567
35501300	HOT-MIX ASPHALT BASE COURSE, 4"	SQ YD	4,567	0	4,567
35800100	PREPARATION OF BASE	SQ YD	300	0	300
35800200	AGGREGATE BASE REPAIR	TON	100	0	100
40600290	BITUMINOUS MATERIALS (TACK COAT)	POUND	2055	0	2055
40604100	POLYMERIZED HOT-MIX ASPHALT SURFACE COURSE, IL-9.5FG, MIX "C", N50	TON	512	0	512
67100100	MOBILIZATION	L SUM	1	0.1	0.9
X0300010	BITUMINOUS MATERIALS (FOG SEAL)	POUND	17,848	2,437	15,411
X1500006	BITUMINOUS SURFACE TREATMENT, A3	SQ YD	39,663	5,416	34,247
Ø Z0076604	TRAINEES TRAINING PROGRAM GRADUATE	HOUR	500	500	

Ø 0042

REV. - MS

\*FAU 8282, TR804\*\*D6 MG-PARKING LOT 2023-1

FILE NAME =	USER NAME = Timothy.Sharp	DESIGNED - _____	REVISED - _____	<b>STATE OF ILLINOIS DEPARTMENT OF TRANSPORTATION</b>	<b>SUMMARY OF QUANTITIES</b>	RTE.	SECTION	COUNTY	TOTAL SHEETS	SHEET NO.	
S:\CONTRMAINT_CAD\72718 - springfield	east-carlinville yards(9-22-2023)\carlinville-spr	DRAWN _____	REVISED - _____			*	**	VARIOUS	10	3	
Default	PLOT SCALE = 40.0000' / in.	CHECKED - _____	REVISED - _____			SCALE: _____ SHEET ____ OF ____ SHEETS STA. _____ TO STA. _____					
	PLOT DATE = 7/6/2023	DATE - _____	REVISED - _____			ILLINOIS FED. AID PROJECT					
						CONTRACT NO. 72XXX					

SPRINGFIELD YARD PAVING SCHEDULE								
		EARTH EXCAVATION	SUBBASE GRANULAR MATERIAL, TYPE B 4"	BITUMINOUS MATERIALS (TACK COAT)	H.M.A. BASE COURSE 4"	POLYMERIZED H.M.A. SURFACE COURSE, IL-9.5FG, MIX "C", N50 2"		
LOCATION NO.	AREA (SQ FT)	CU YD	SQ YD	POUND	(SQ YD)	DEPTH INCH	RATE TON/SQ YD*IN	TON
NEW PARKING LOT	9660	298.14	1073.33	483.00	1073.33	2	0.056	120.21
NEW ROAD	31440	970.33	3493.33	1572.00	3493.33	2	0.056	391.25
<b>TOTAL</b>		<b>1268.5</b>	<b>4566.7</b>	<b>2055.0</b>	<b>4566.7</b>			<b>511.5</b>

MIXTURE REQUIREMENTS		
LOCATION:	BASE COURSE	SURFACE COURSE
MIXTURE USE(S):	H.M.A. BASE COURSE 4"	POLYMERIZED H.M.A. SURFACE COURSE, IL-9.5FG, MIX "C", N50
PG:	PG 64-22	SBS PG 70-28
DESIGN AIR VOIDS:	4.0% @ N50	4.0% @ N50
MIXTURE COMPOSITION:	IL-19.0	IL-9.5FG
FRICTION AGGREGATE:	N/A	MIX C
QUALITY MANAGEMENT:	QC/QA	QC/QA
SUBLOT SIZE:	N/A	N/A
MTD:	NO	NO

\*FAU 8282, TR804\*\*D6 MG-PARKING LOT 2023-1

FILE NAME =	USER NAME = Timothy.Sharp	DESIGNED - _____	REVISED - _____
S:\CONTRMAINT_CAD\72718 - springfield west-carlinville yards(9-22-2023)\carlinville-springfield-plans\72718-4-schedule.dgn		CHECKED - _____	REVISED - _____
Default	PLOT DATE = 7/6/2023	DATE - _____	REVISED - _____

**STATE OF ILLINOIS  
DEPARTMENT OF TRANSPORTATION**

**SCHEDULE OF QUANTITIES**

SCALE: \_\_\_\_\_ SHEET \_\_\_\_ OF \_\_\_\_ SHEETS STA. \_\_\_\_\_ TO STA. \_\_\_\_\_

RTE.	SECTION	COUNTY	TOTAL SHEETS	SHEET NO.
*	**	MAC/SANG	10	4
			<b>CONTRACT NO. 72718</b>	
ILLINOIS FED. AID PROJECT				





SPRINGFIELD YARD



MODEL: Default  
 FILE NAME: S:\CONTRACT\MGMT\_CADD\72718 - springfield west-centralville -various-22-2023\california-springfield\digital\18172XXX-5-6-location maps.dgn



USER NAME = Timothy,Sharp	DESIGNED - _____	REVISED - _____
PLOT SCALE = 2,0259' / in.	DRAWN - _____	REVISED - _____
PLOT DATE = 7/6/2023	CHECKED - _____	REVISED - _____
	DATE - _____	REVISED - _____

**STATE OF ILLINOIS  
 DEPARTMENT OF TRANSPORTATION**

**LOCATION MAP**

SCALE: \_\_\_\_\_ SHEET 1 OF 7 SHEETS STA. \_\_\_\_\_ TO STA. \_\_\_\_\_

•FAU 8282, TR804•D6 MG-PARKING LOT 2023-1

ROUTE	SECTION	COUNTY	TOTAL SHEETS	SHEET NO.
*	**	VARIOUS	10	6
CONTRACT NO. 72718				
		ILLINOIS	FED. AID PROJECT	





CARLINVILLE YARD



PROP. BIT. SURF.  
TREATMENT A3

MODEL: Default  
 FILE NAME: S:\CONTRACTS\CAD\72718 - Springfield - west-carlinville\_yard\9-22-2023\carlinville\_springs\72xxx-ctb-7-carlinville\_yard\_topo.dgn

USER NAME = Timothy.Sharp	DESIGNED - _____	REVISED - _____
PLOT SCALE = 80.0000' / in.	DRAWN - _____	REVISED - _____
PLOT DATE = 7/6/2023	CHECKED - _____	REVISED - _____
	DATE - _____	REVISED - _____

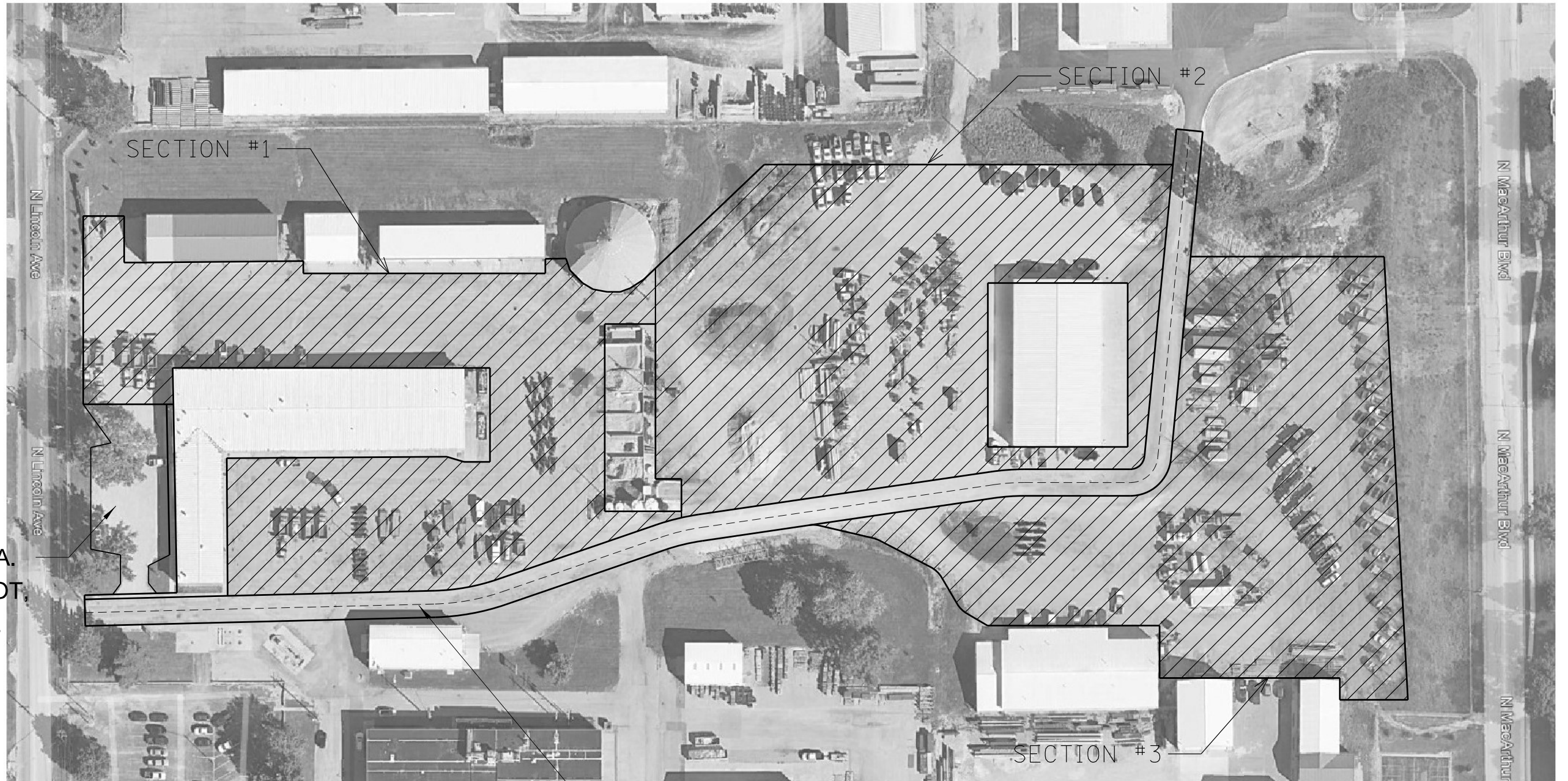
**STATE OF ILLINOIS  
DEPARTMENT OF TRANSPORTATION**

**CARLINVILLE YARD**

SCALE: \_\_\_\_\_ SHEET \_\_\_\_\_ OF \_\_\_\_\_ SHEETS STA. \_\_\_\_\_ TO STA. \_\_\_\_\_

\*FAU 8282, TR804\*\*D6 MG-PARKING LOT-2023-1

RT.	SECTION	COUNTY	TOTAL SHEETS	SHEET NO.
*	*	MAC/SANG	10	7
			CONTRACT NO. 72718	
		ILLINOIS	FED. AID PROJECT	



PROP. H.M.A.  
PARKING LOT,  
SEE DETAIL  
SHEET 9

PROP. H.M.A.  
ROAD 1310' X 24'  
SEE DETAIL SHEET 10

 PROP. BIT. SURF.  
TREATMENT A3

BITUMINOUS SURFACE TREATMENT A3 WORK SHALL BE COMPLETED IN THREE SECTIONS AND I.D.O.T. WILL REQUIRE 5 DAYS BETWEEN WORK ON EACH SECTION TO ALLOW PERSONNEL TO MOVE EQUIPMENT. THE PROP. H.M.A PARKING LOT AND H.M.A. ROAD WORK WILL BE PERFORMED BEFORE BITUMINOUS SURFACE TREATMENT A3 IS TO BEGIN.

MODEL: Default  
FILE NAME: S:\CONTRACTS\18 - SPRINGFIELD - WEST-CARLINVILLE - SPRINGFIELD - WEST-CARLINVILLE\18-SPRINGFIELD - WEST-CARLINVILLE\18-SPRINGFIELD - WEST-CARLINVILLE.dgn

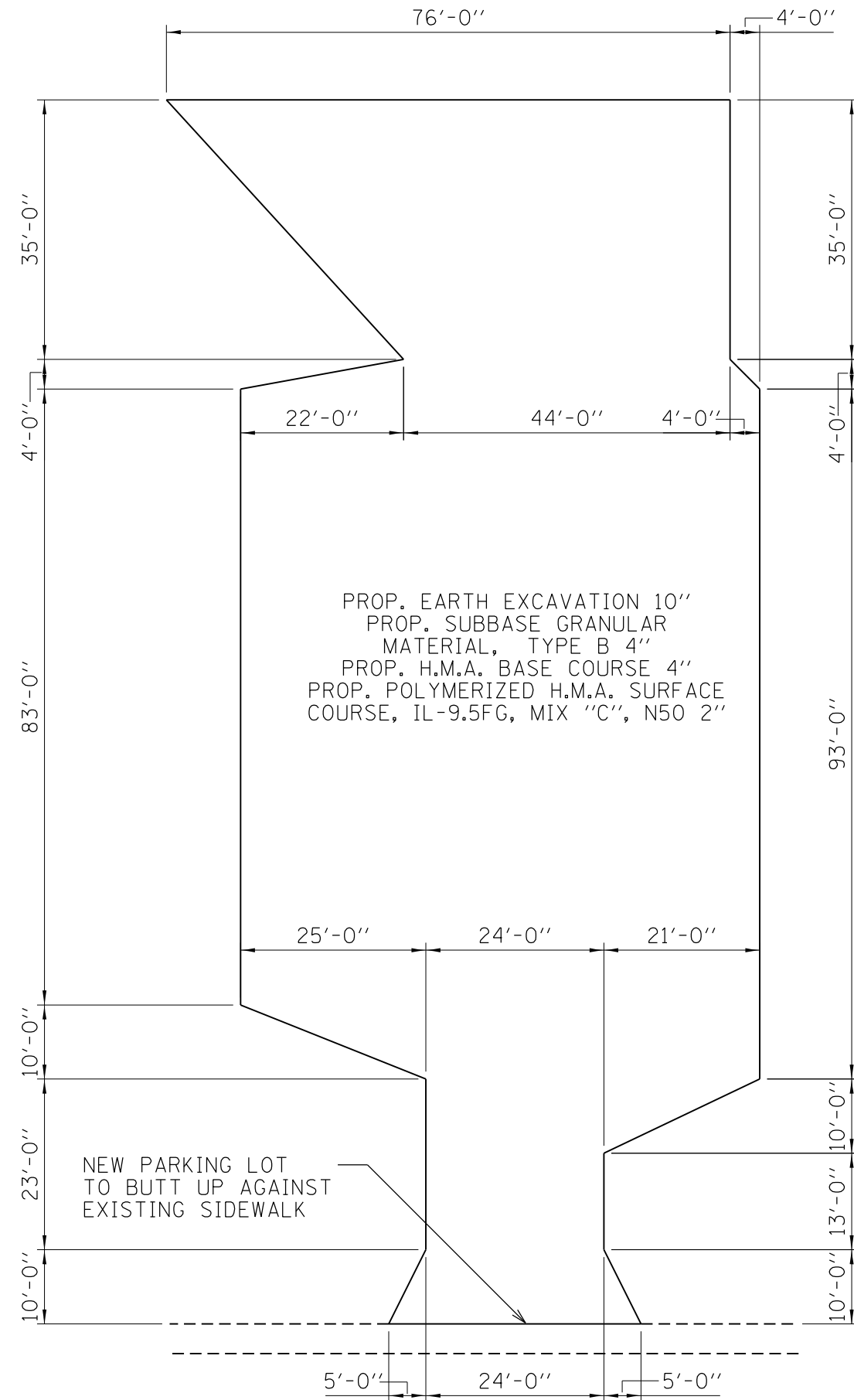
USER NAME = Timothy.Sharp	DESIGNED -	REVISED -
	DRAWN -	REVISED -
PLOT SCALE = 100,0000' / in.	CHECKED -	REVISED -
PLOT DATE = 7/6/2023	DATE -	REVISED -

**STATE OF ILLINOIS  
DEPARTMENT OF TRANSPORTATION**

<b>SPRINGFIELD YARD PLAN</b>	
SCALE:	SHEET OF SHEETS STA. TO STA.

•FAU 8282, TR804•D6 MG-PARKING LOT 2023-1				
RTE.	SECTION	COUNTY	TOTAL SHEETS	SHEET NO.
*	**	MAC/SANG	10	8
			CONTRACT NO. 72718	
ILLINOIS FED. AID PROJECT				





PROP. EARTH EXCAVATION 10"  
 PROP. SUBBASE GRANULAR  
 MATERIAL, TYPE B 4"  
 PROP. H.M.A. BASE COURSE 4"  
 PROP. POLYMERIZED H.M.A. SURFACE  
 COURSE, IL-9.5FG, MIX "C", N50 2"

NEW PARKING LOT  
 TO BUTT UP AGAINST  
 EXISTING SIDEWALK

\*FAU 8282, TR804\*\*D6 MG-PARKING LOT 2023-1

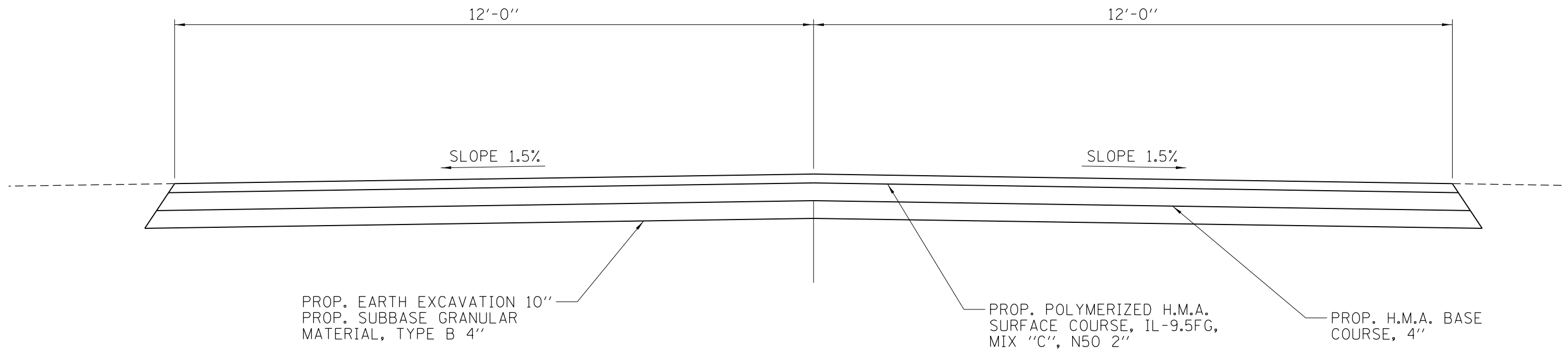
FILE NAME =	USER NAME = Timothy.Sharp	DESIGNED - _____	REVISED - _____
S:\CONTRMAINT_CAD\72718 - springfield west-carlinville yards(9-22-2023)\carlinville-springfield-plans\72XXDMS-9-10-details.dgn	DRAWN - _____	CHECKED - _____	REVISED - _____
Default	PLOT SCALE = 20.0000' / in.	DATE - _____	REVISED - _____
	PLOT DATE = 7/7/2023		

**STATE OF ILLINOIS  
 DEPARTMENT OF TRANSPORTATION**

**SPRINGFIELD YARD PARKING LOT DETAIL**

SCALE: \_\_\_\_\_ SHEET \_\_\_\_\_ OF \_\_\_\_\_ SHEETS STA. \_\_\_\_\_ TO STA. \_\_\_\_\_

RTE.	SECTION	COUNTY	TOTAL SHEETS	SHEET NO.
*	**	MAC/SANG	10	9
			CONTRACT NO. 72718	
ILLINOIS FED. AID PROJECT				



\*FAU 8282, TR804\*\*D6 MG-PARKING LOT 2023-1

FILE NAME =	USER NAME = Timothy.Sharp	DESIGNED - _____	REVISED - _____
S:\CONTRMAINT_CAD\72718 - springfield west-carlinville yards(9-22-2023)\carlinville-spr...	DRAWN - _____	CHECKED - _____	REVISED - _____
Default	PLOT SCALE = 20.0000' / in.	DATE - _____	REVISED - _____
	PLOT DATE = 7/7/2023		

**STATE OF ILLINOIS  
DEPARTMENT OF TRANSPORTATION**

**SPRINGFIELD YARD ROAD DETAILS**

SCALE: \_\_\_\_\_ SHEET \_\_\_\_ OF \_\_\_\_ SHEETS STA. \_\_\_\_\_ TO STA. \_\_\_\_\_

RTE.	SECTION	COUNTY	TOTAL SHEETS	SHEET NO.
*	**	MAC/SANG	10	10
CONTRACT NO. 72718			ILLINOIS FED. AID PROJECT	