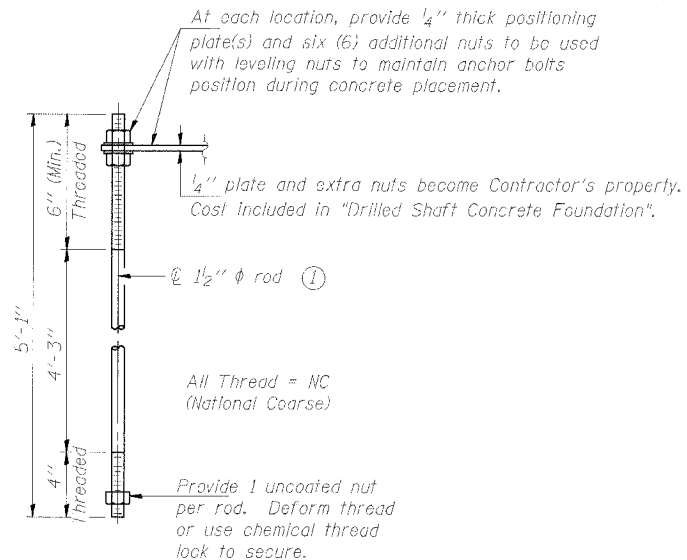
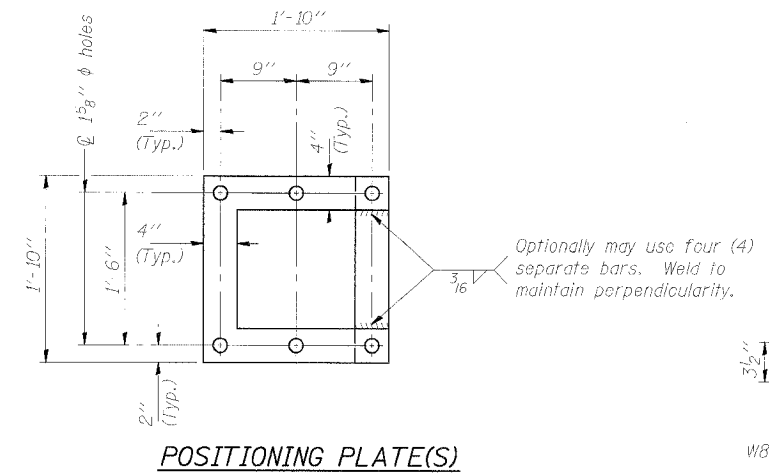
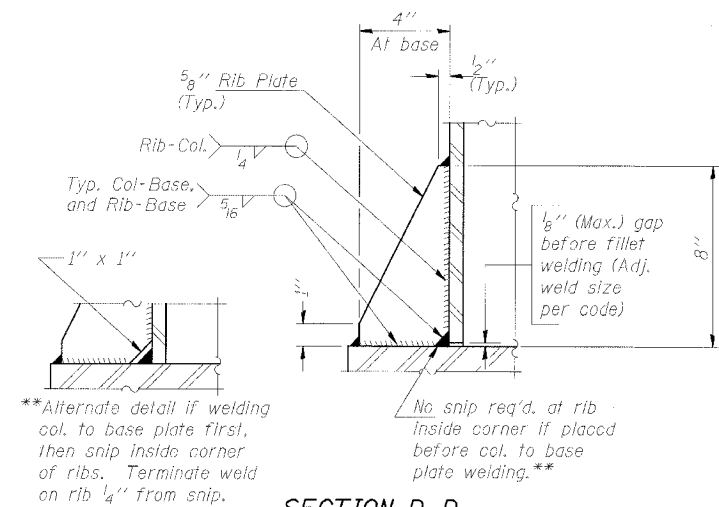
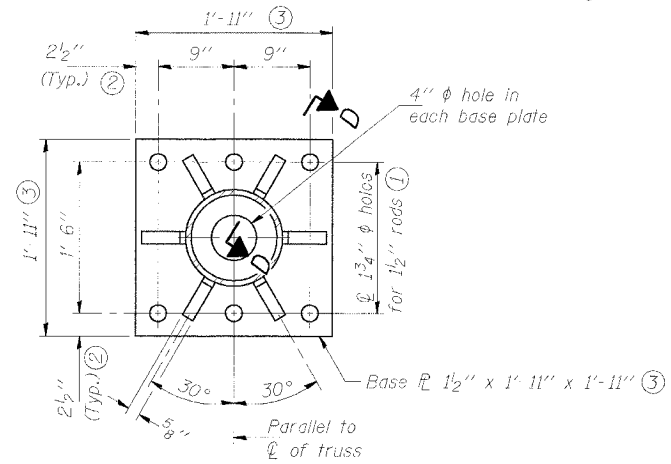
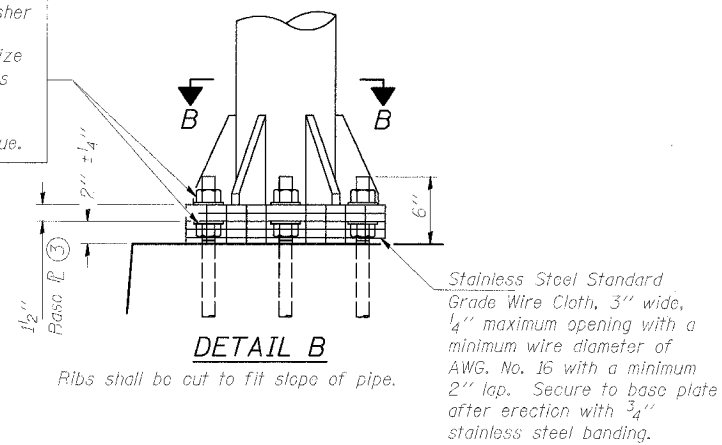


STATE OF ILLINOIS
DEPARTMENT OF TRANSPORTATION

ROUTE NO.	SECTION	COUNTY	SHEET NO.	SHEET	SHEET NO.
90/94	*	COOK	556	313	
FED. ROAD DIST. NO. 7		ILLINOIS	FED. AID PROJECT		

(1818, ETC, 2324.6-1P) R-8
62300

Hexagon locknut and washer (top), leveling nut and washer (bottom). Galvanize per AASHTO M232. Nuts shall each be tightened against base plate with 200 lb.-ft. minimum torque.

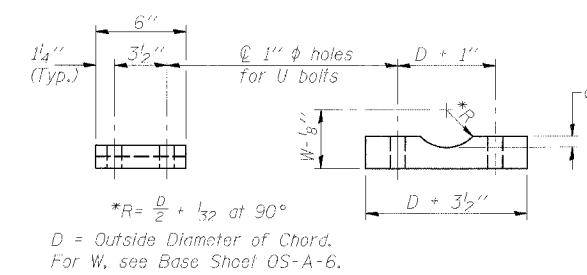
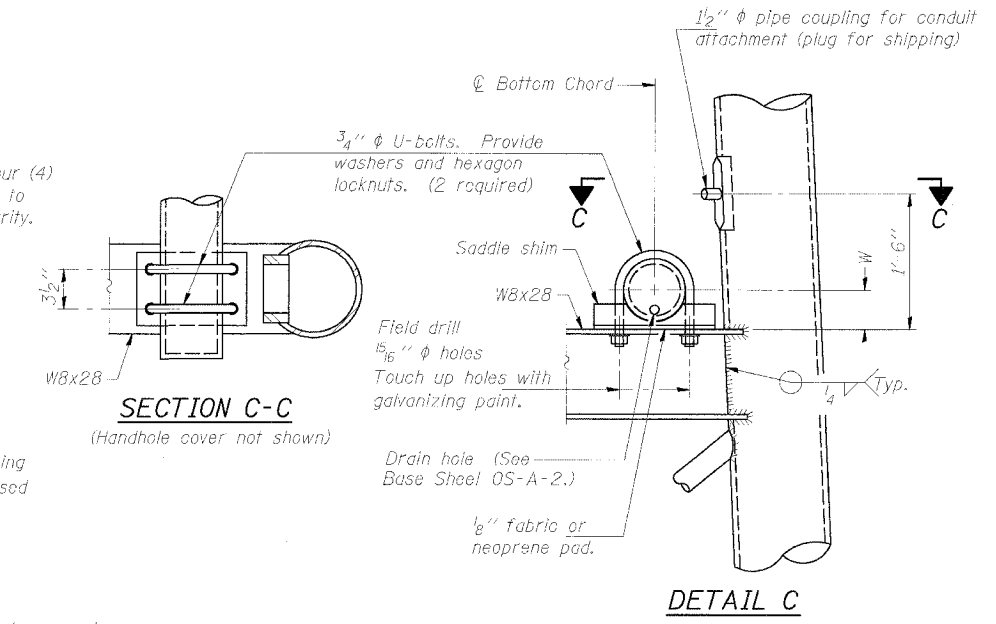


TYPE III-A TRUSS
12" φ PIPE SUPPORT FRAME DETAILS

Anchor rods shall conform to AASHTO M314 Grade 36 or 55 and meet Charpy V-Notch (CVN) energy of 15 lb.-ft. at 40° F. Galvanize upper 12" per AASHTO M232. No welding shall be permitted on rods.

Notes: For Type III-A Truss spans greater than 150 ft, and up to 160 ft.:

- ① 1 3/4" φ rod, 2" φ holes
- ② 2 3/4" edge distance
- ③ Base plate 1 5/8" x 1 1/2" x 1 1/2"



Truss Chord Nominal Dia.	a
7"	1"
8 1/2"	1 1/4"
9"	1 3/8"

ASTM B26 Alloy 356-F
or
ASTM B209 Alloy 6061-T6S1
(4 required per sign truss)

DESIGNED - SWANG	20
CHECKED - JAL	EXAMINED
DRAWN -	PASSED
CHECKED -	ENGINEER OF STRUCTURAL SERVICES
	ENGINEER OF BRIDGES AND STRUCTURES

NUMBER	REVISION	DATE

OS4-A-8aA 11/1/2002

OVERHEAD SIGN STRUCTURES
SUPPORT FRAME for TYPE III-A ALUMINUM TRUSS

F.A.I. 94/90 (DAN RYAN EXPRESSWAY)
31st STREET TO 71st STREET
(NB Express Lanes)

6/24/2005 2:53:37 PM P:\V49468\Struct\B&K\Draws\Chtr_62300\01_Sign\ssf400726.sst