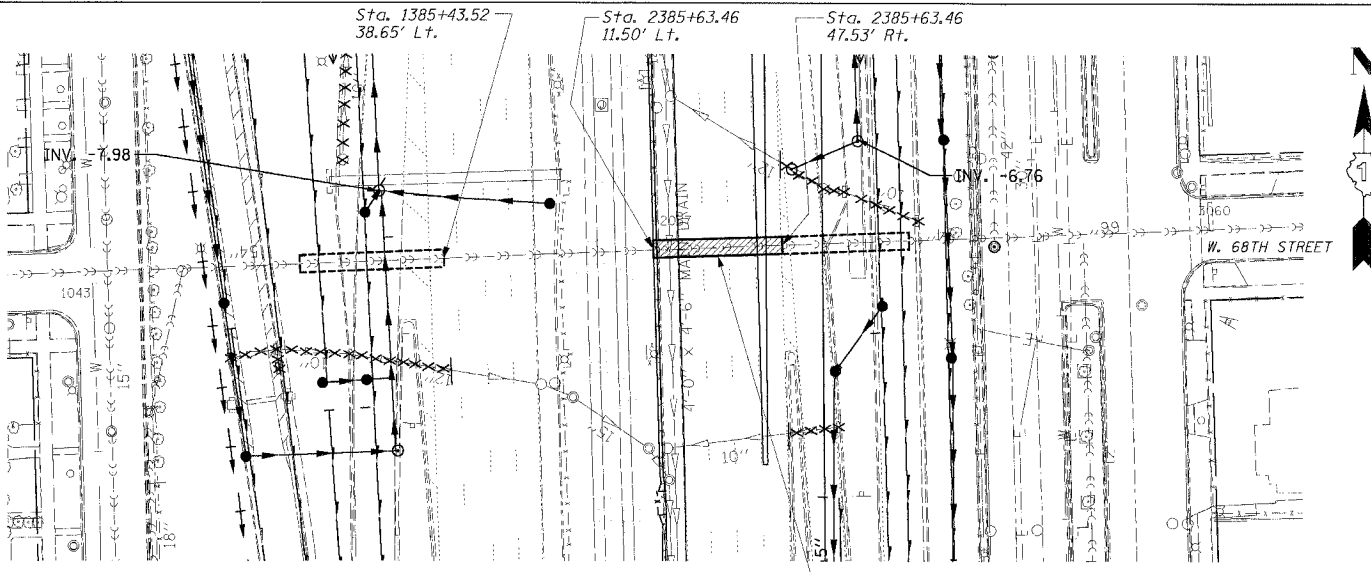
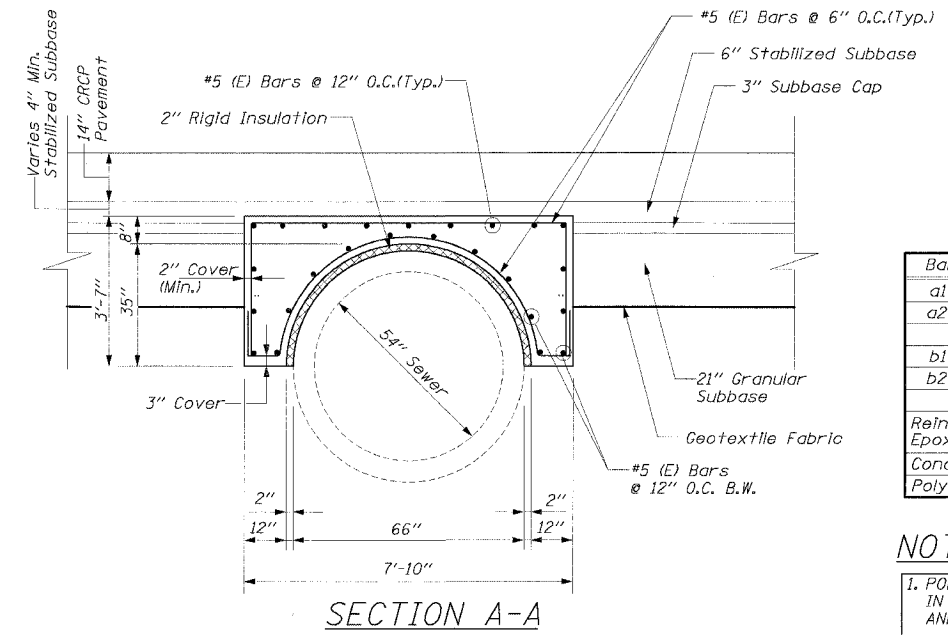


F.A.I. RTE.	SECTION	COUNTY	TOTAL SHEETS	SHEET NO.
94/90 *		COOK	556	349
STA.	TO STA.			
FED. ROAD DIST. NO.	ILLINOIS	FED. AID PROJECT		
62300	• (1818, ETC, 2324.6-1PIR-8			



TOPOGRAPHIC PLAN



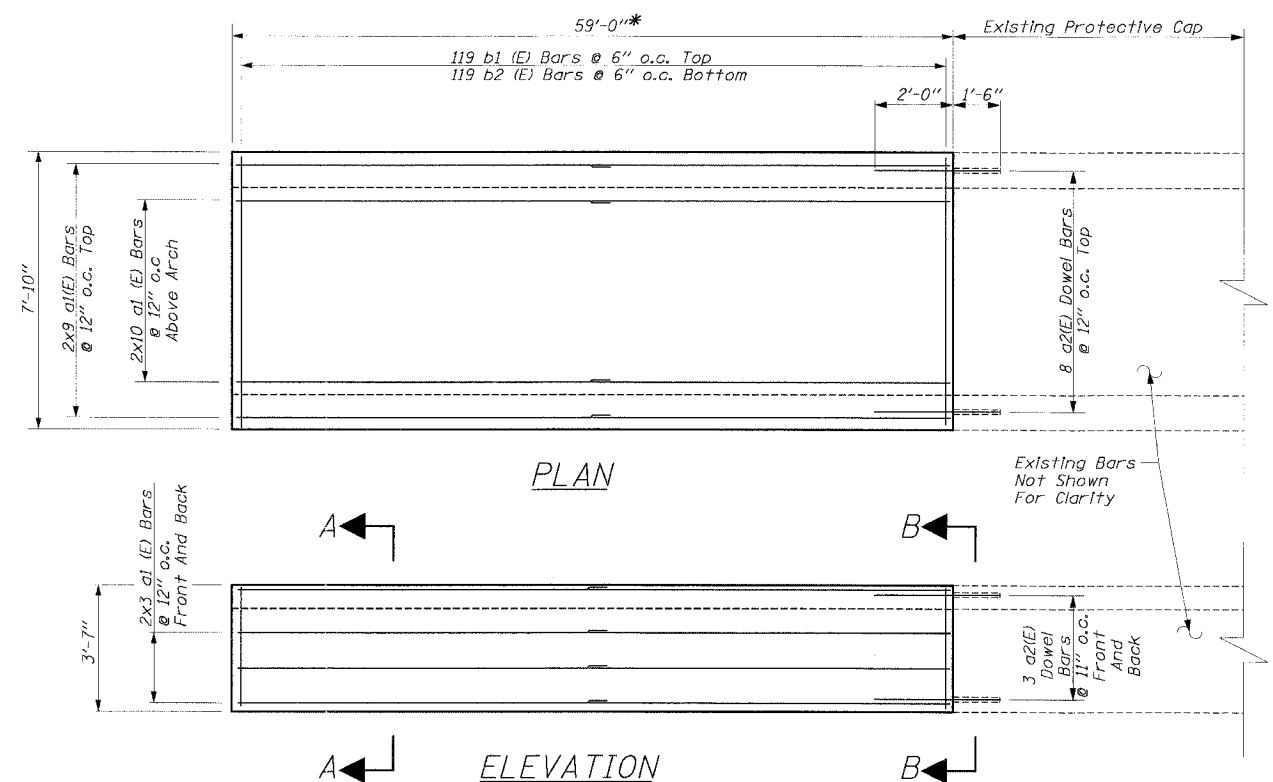
SECTION A-A

BILL OF MATERIAL

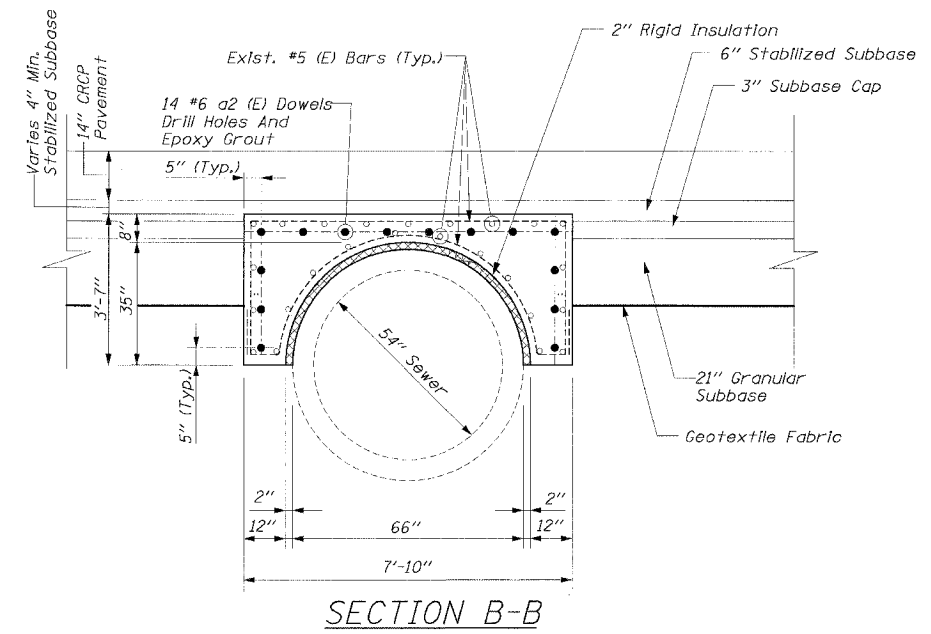
Bar	No.	Size	Length	Shape	
a1(E)	50	#5	30'-5"	—	
a2(E)	14	#6	3'-6"	—	
b1(E)	119	#5	13'-10"	⌒	
b2(E)	119	#5	13'-0"	⌒	
Reinforcement Bars, Epoxy Coated				Pounds	4,990
Concrete Structures				Cu. Yd.	32.1
Polystyrene Insulation				Sq. Ft.	540

NOTES

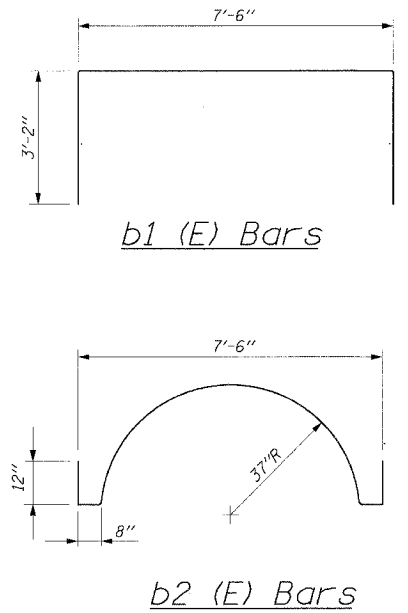
- POLYSTYRENE INSULATION SHALL BE INCLUDED IN 54" SEWER PROTECTION CAP CONSTRUCTION, AND WILL NOT BE PAID FOR SEPARATELY.
- DRILLING AND EPOXY GROUTING OF a2(E) BARS IS PAID FOR UNDER REINFORCEMENT BARS, EPOXY COATED.



ELEVATION



SECTION B-B



b1 (E) Bars

b2 (E) Bars

\*Field Verify Dimension Prior to Ordering Reinforcement Bars

NOTES:

- All bars designated (E) must be epoxy coated.
- All bars must be #5 bars with a minimum overlap of 2'-2".
- All dowel bars must be #6 bars.
- Sewer location based on existing plans. Field adjustment of lengths may be necessary.

**Edwards AND Kelcey**  
 ONE NORTH FRANKLIN  
 CHICAGO, IL 60606  
 PHONE: (312) 251-3000  
 FAX: (312) 251-3015  
 WEB: WWW.EKCORP.COM

REVISIONS	
NAME	DATE

ILLINOIS DEPARTMENT OF TRANSPORTATION  
 F.A.I. 94/90 (DAN RYAN EXPRESSWAY)  
 31ST STREET TO 71ST STREET  
 NB EXPRESS LANE RECONSTRUCTION  
 CIVIL DETAILS - 68TH STREET CROSSING  
 54" SEWER PROTECTION CAP  
 STA. 2385+63.46  
 SCALE: NOT TO SCALE  
 DATE: 7/7/05  
 DRAWN BY: AJW  
 CHECKED BY: EL

CDT-2  
 06/24/2005 09:27:08 PM