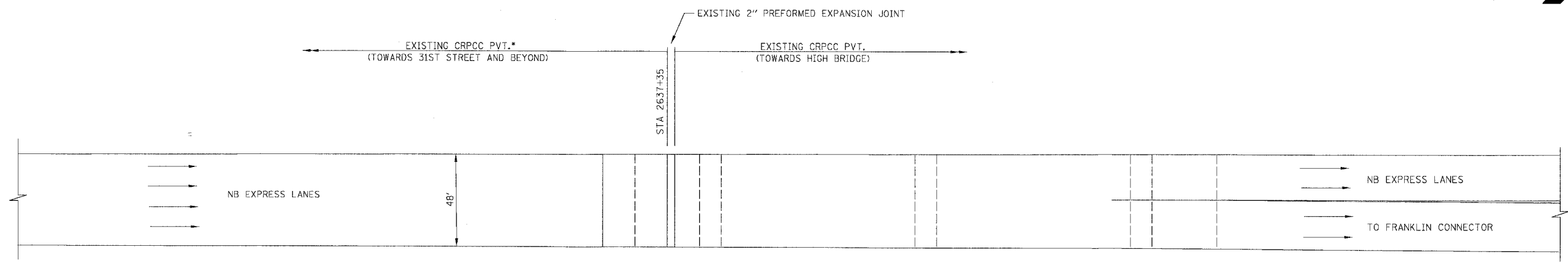
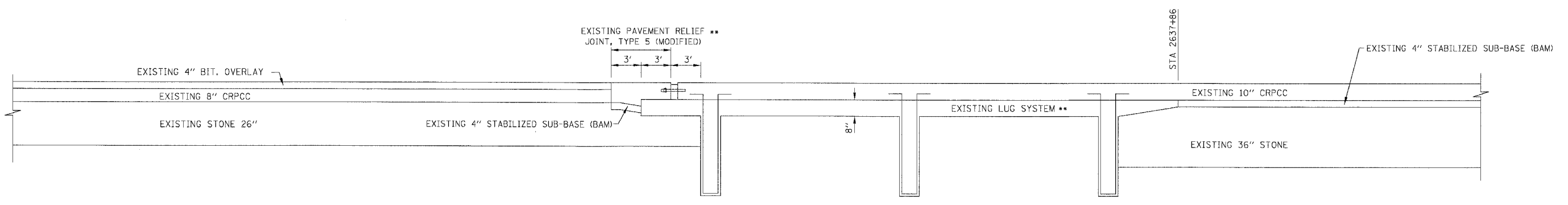


F.A.I.	SECTION	COUNTY	TOTAL SHEETS	SHEET NO.
94/90 *		COOK	556	355
STA.	TO STA.			
FED. ROAD DIST. NO.	ILLINOIS	FED. AID PROJECT		
62300	*1818, ETC. 2324.6-IPR-8			



EXISTING PLAN



EXISTING PROFILE

- * LUGS FROM ORIGINAL 1961 CONSTRUCTION WERE REMOVED DURING 1987 HIGH BRIDGE (31ST TO I-290) RECONSTRUCTION.
- ** LUGS AND PAVEMENT RELIEF JOINTS FROM 1987 RECONSTRUCTION OF DAN RYAN HIGH BRIDGE AND APPROACH PAVEMENTS.

BOWMAN, BARRETT & ASSOCIATES INC.
CONSULTING ENGINEERS
Chicago, Illinois
312.228.0100
www.bbainc.com

REVISIONS	
NAME	DATE

ILLINOIS DEPARTMENT OF TRANSPORTATION
F.A.I. 94/90 (DAN RYAN EXPRESSWAY)
31ST STREET TO 71ST STREET
NB EXPRESS LANE RECONSTRUCTION
LUG SYSTEM INTERFACE
AT 31ST STREET

SCALE: NTS
DATE: 07/07/05

DRAWN BY: RR
CHECKED BY: JDC

CDT-8

5/15/34 PM 6/27/2005