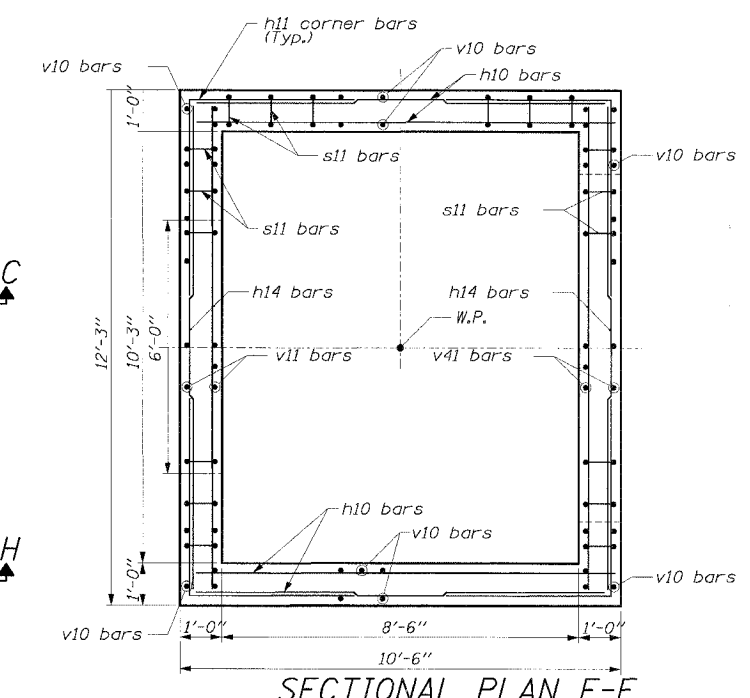
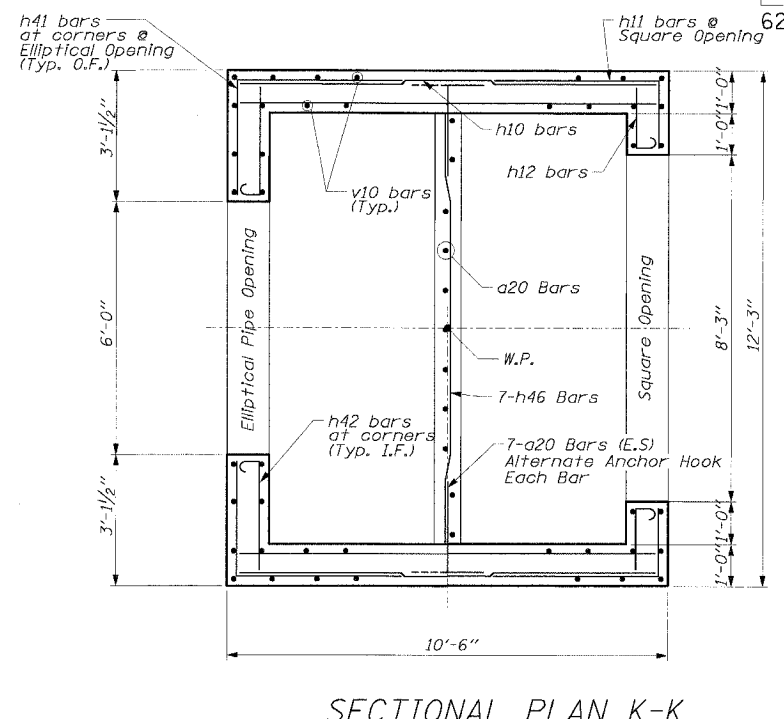


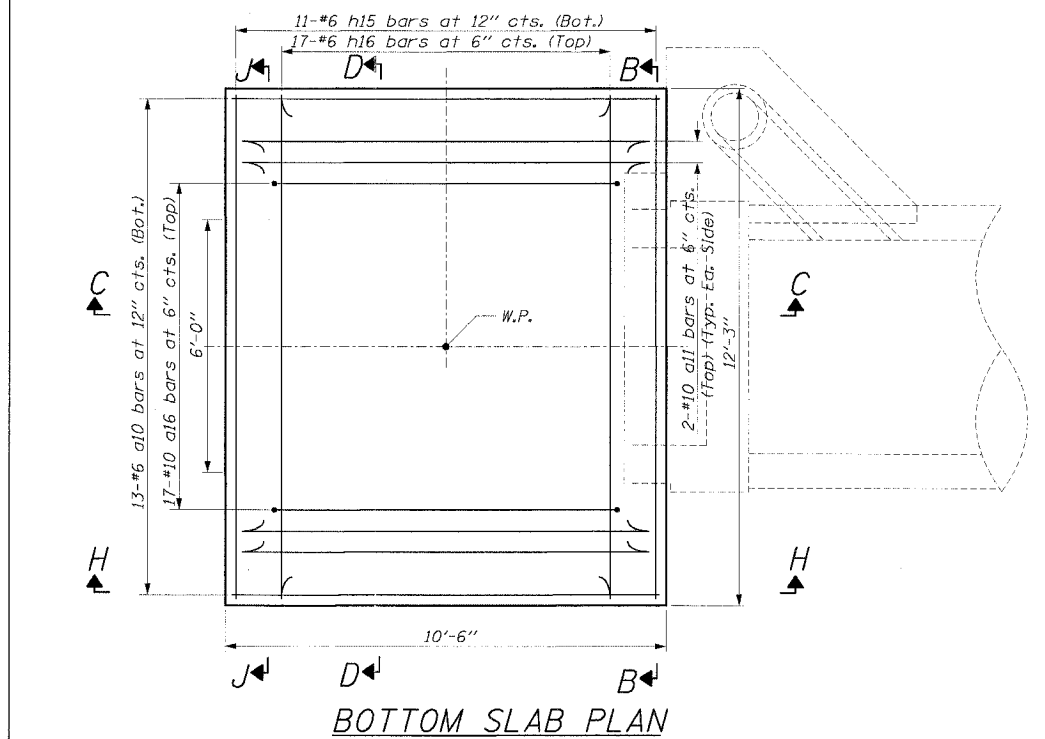
ROOF SLAB PLAN



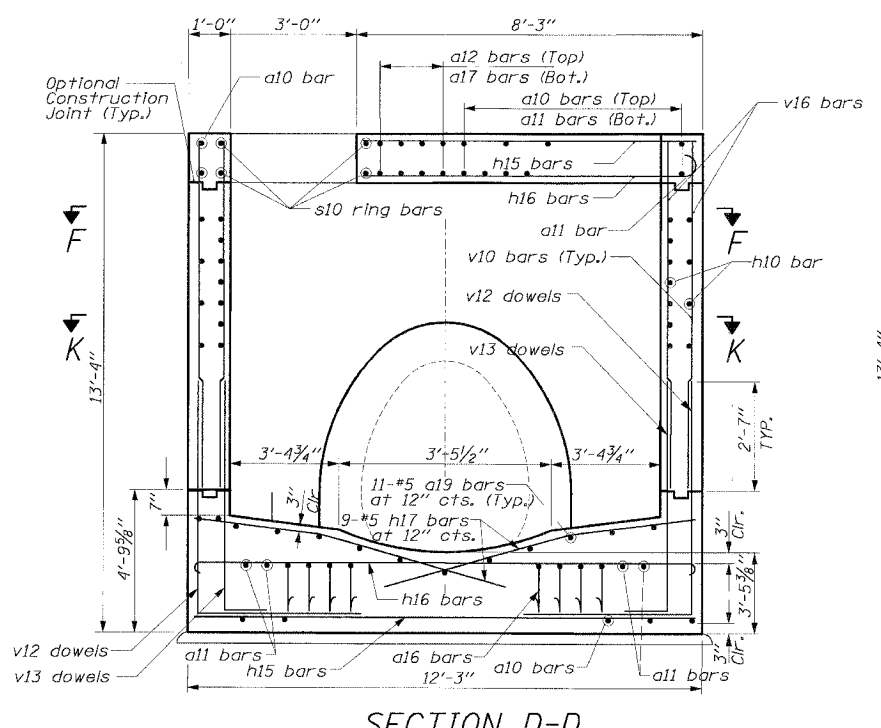
SECTIONAL PLAN F-F



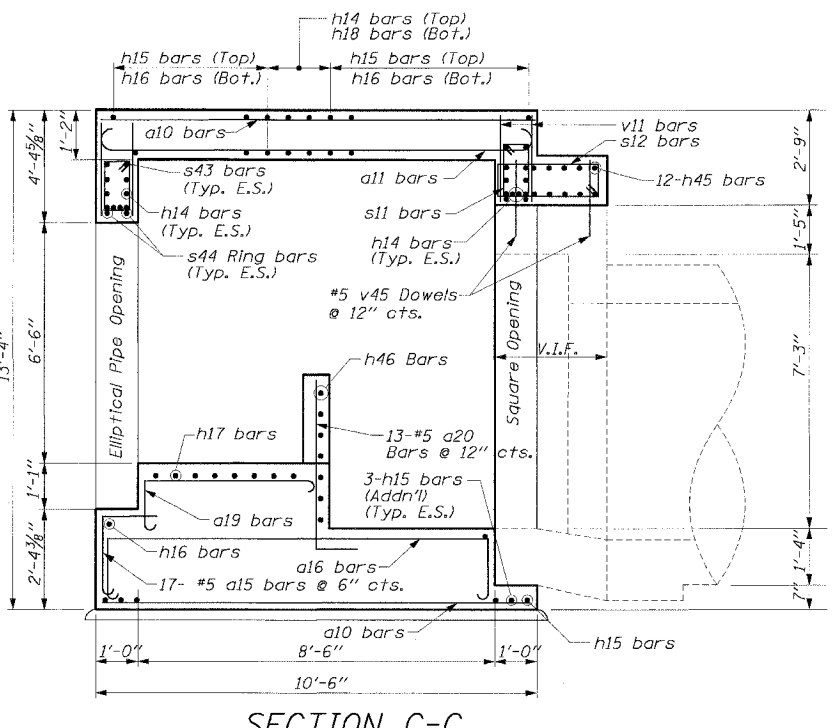
SECTIONAL PLAN K-K



BOTTOM SLAB PLAN



SECTION D-D



SECTION C-C

**NOTES:**

- All dimensions and elevations shall be field verified prior to construction.
- Concrete pipe sizes shall be coordinated with openings provided into junction chamber before pouring concrete.
- Manhole Frame, Ladder Rungs, and any Inserts Installation shall be coordinated with Roadway Plans.
- Concrete cover for reinforcement steel to be 2" unless otherwise noted.

**LEGEND:**

- \* Cut bars to fit in field.
- E.F. - denotes Each Face
- E.S. - denotes Each Side
- I.F. - denotes Inside Face
- O.F. - denotes Outside Face

**Edwards and Kelcey**  
 ONE NORTH FRANKLIN  
 CHICAGO, IL 60606  
 PHONE: (312) 251-3000  
 FAX: (312) 251-3015  
 WEB: WWW.EKCORP.COM

REVISIONS	
NAME	DATE

ILLINOIS DEPARTMENT OF TRANSPORTATION  
 F.A.I. 94/90 (DAN RYAN EXPRESSWAY)  
 31ST STREET TO 71ST STREET  
 NB EXPRESS LANE RECONSTRUCTION  
 JUNCTION CHAMBER 4-01  
 DETAILS 1

SCALE:                      DRAWN BY: JRW  
 DATE: 7/17/05              CHECKED BY: EL

P:\03000\9030\3015\042728.PLT 14875\CAD\DWG\JCH\403828.SWT 06/24/2005 04:27:28 PM