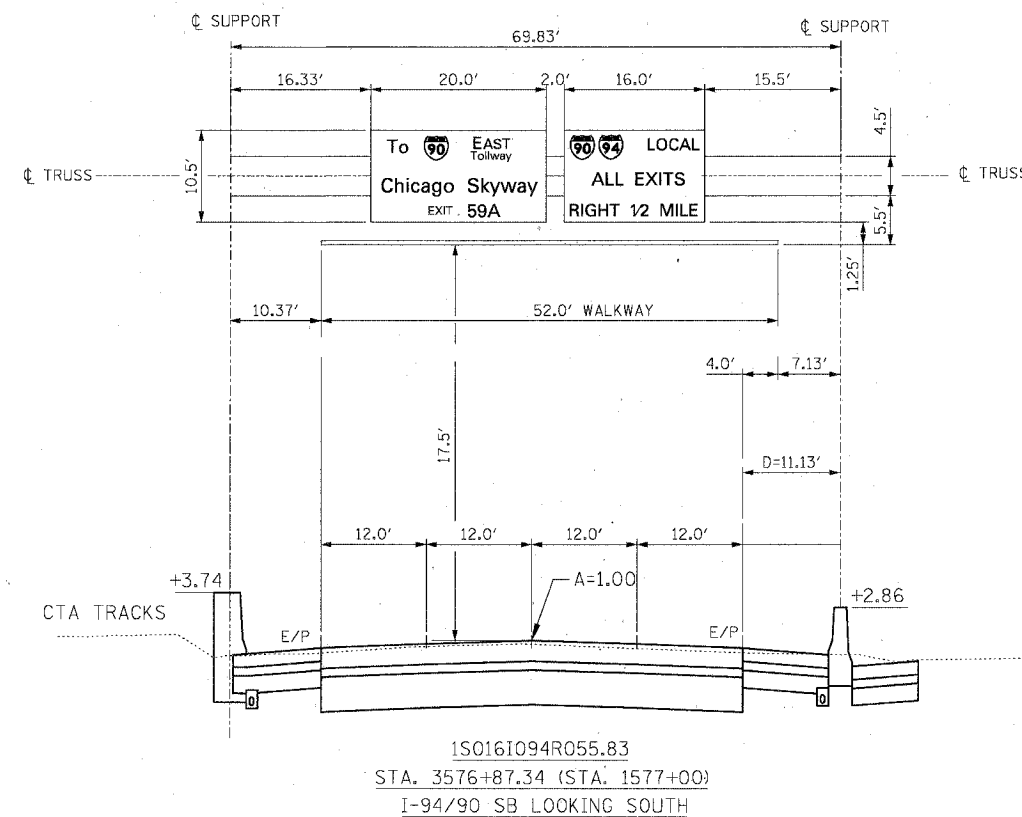
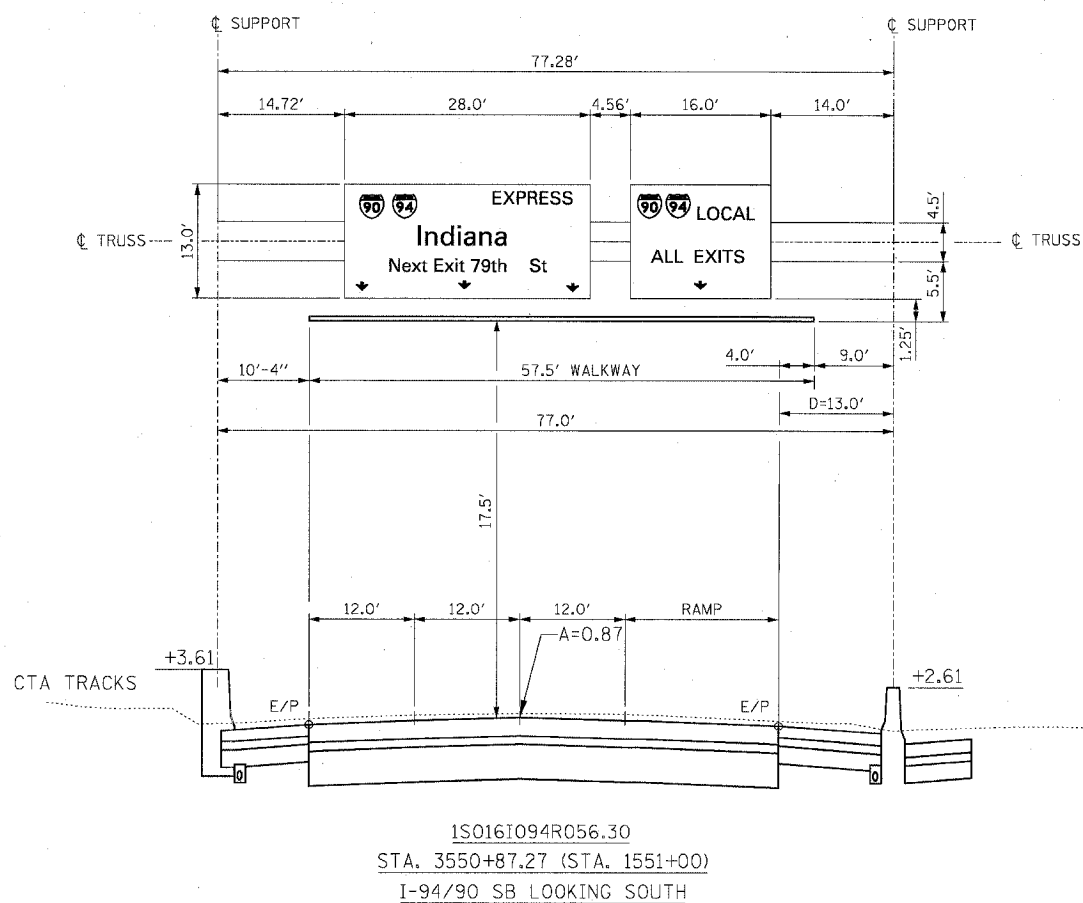
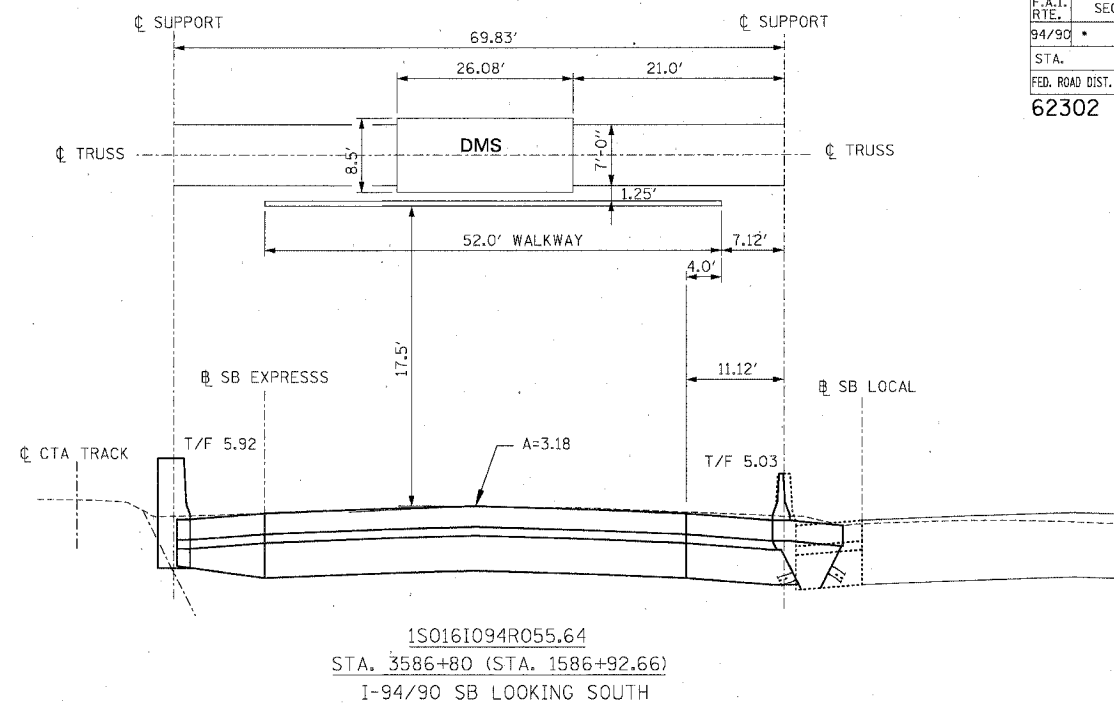
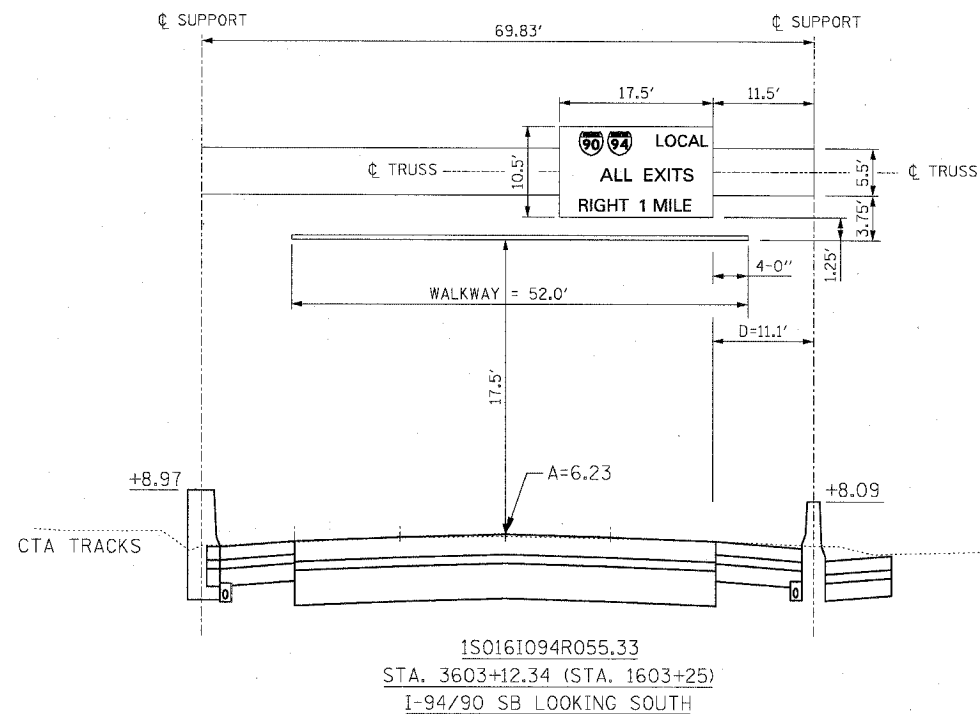


F.A.I. RTE.	SECTION	COUNTY	TOTAL SHEETS	SHEET NO.
94/90		COOK	598	303
STA.		TO STA.		
62302		*0818, ETC, 2324.6-IPR-9		



REVISIONS	
NAME	DATE

**K&E** KAM ENGINEERING, INC.  
CONSULTING ENGINEERS  
707A Davis Road, Suite 205  
Evanston, Illinois 60201-3669

ILLINOIS DEPARTMENT OF TRANSPORTATION  
F.A.I. 94/90 (DAN RYAN EXPRESSWAY)  
31ST STREET TO 71ST STREET  
SB EXPRESS LANE RECONSTRUCTION  
SIGN PLACEMENT DETAILS  
SCALE: NONE DRAWN BY: MD  
DATE: 07/07/05 CHECKED BY: MSA

SGN-06  
6/24/2005 3:52:01 PM