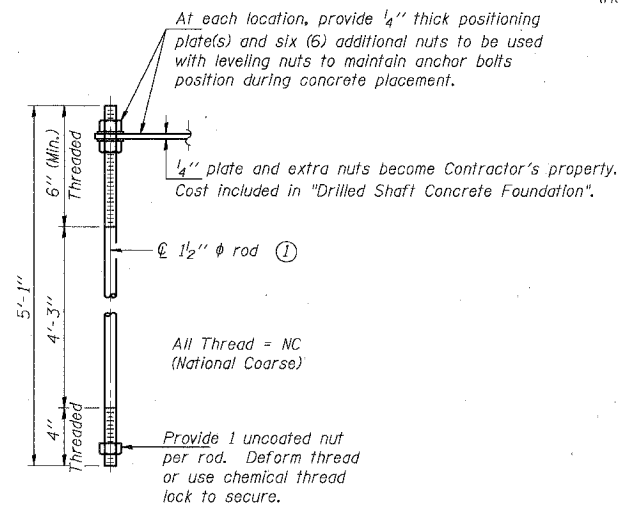
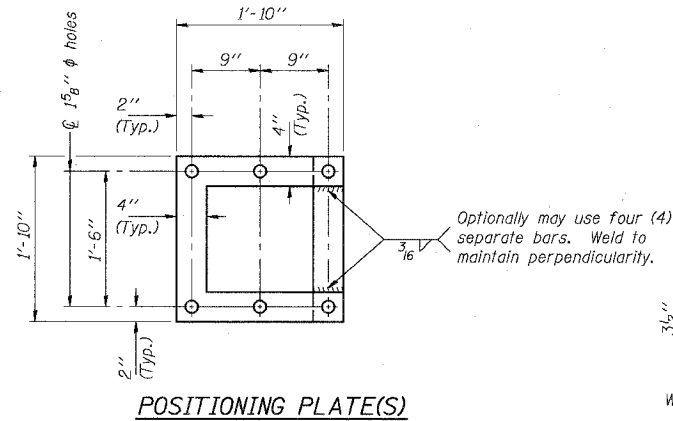
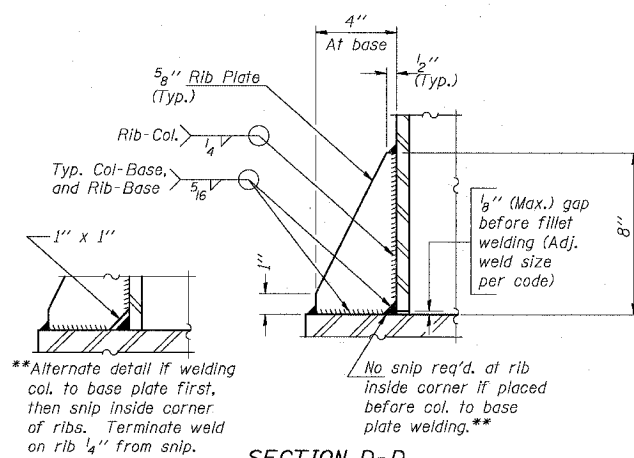
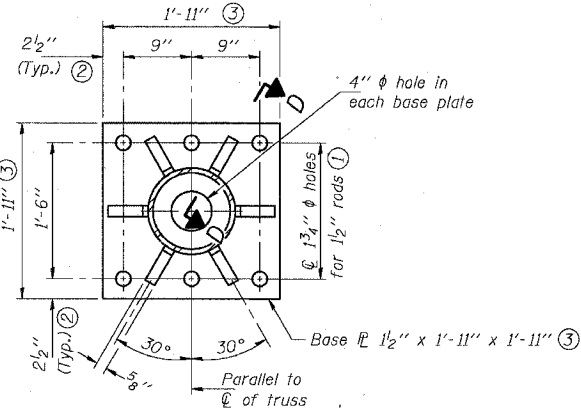
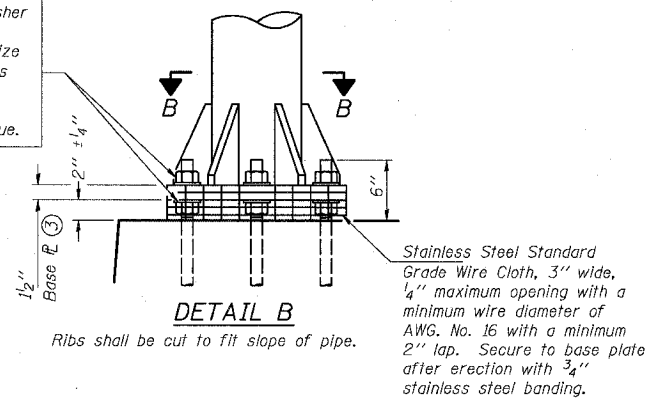


STATE OF ILLINOIS
DEPARTMENT OF TRANSPORTATION

ROUTE NO.	SECTION	COUNTY	SHEET	TOTAL SHEETS
94/90	*	COOK	598	316
FED. ROAD DIST. NO. 1	ALLIANCE	FED. AID PROJECT		
62302	*1818, ETC.	2324.6-1P1R-9		

Hexagon locknut and washer (top), leveling nut and washer (bottom). Galvanize per AASHTO M232. Nuts shall each be tightened against base plate with 200 lb.-ft. minimum torque.



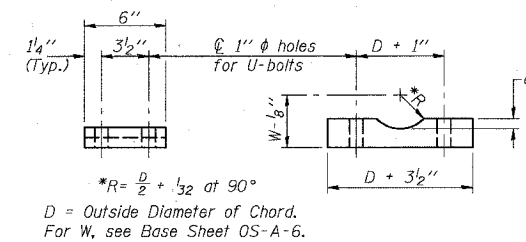
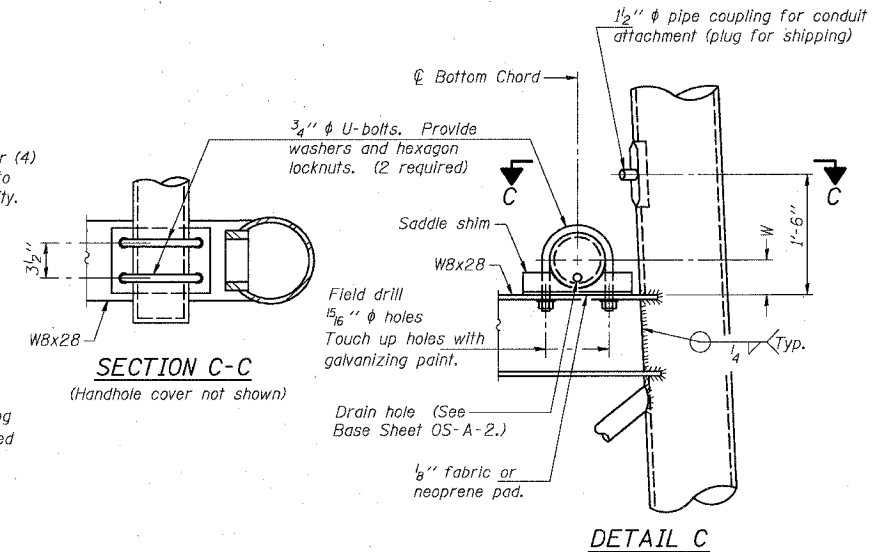
TYPE III-A TRUSS
12" ϕ PIPE SUPPORT FRAME DETAILS

Notes: For Type III-A Truss spans greater than 150 ft. and up to 160 ft.:

① 1 3/4" ϕ rod, 2" ϕ holes

② 2 3/4" edge distance

③ Base Pl. 1 5/8" x 1'-11 1/2" x 1'-11 1/2"



Truss Chord Nominal Dia.	a
7"	1"
8 1/2"	1 1/4"
9"	1 3/8"

SADDLE SHIM DETAIL

ASTM B26 Alloy 356-F or
ASTM B209 Alloy 6061-T651 (4 required per sign truss)

DESIGNED	SL
CHECKED	AS
DRAWN	MD
CHECKED	SL

EXAMINED	20
PASSED	ENGINEER OF STRUCTURAL SERVICES
	ENGINEER OF BRIDGES AND STRUCTURES

OS4-A-8aA 11/1/2002

NUMBER	REVISION	DATE

SGN-19

OVERHEAD SIGN STRUCTURES
ALUMINUM WALKWAY DETAILS

ILLINOIS DEPARTMENT OF TRANSPORTATION
F.A.I. 94/90 (DAN RYAN EXPRESSWAY)
31ST STREET TO 71ST STREET
SB EXPRESS LANE RECONSTRUCTION

OVERHEAD SIGN STRUCTURES