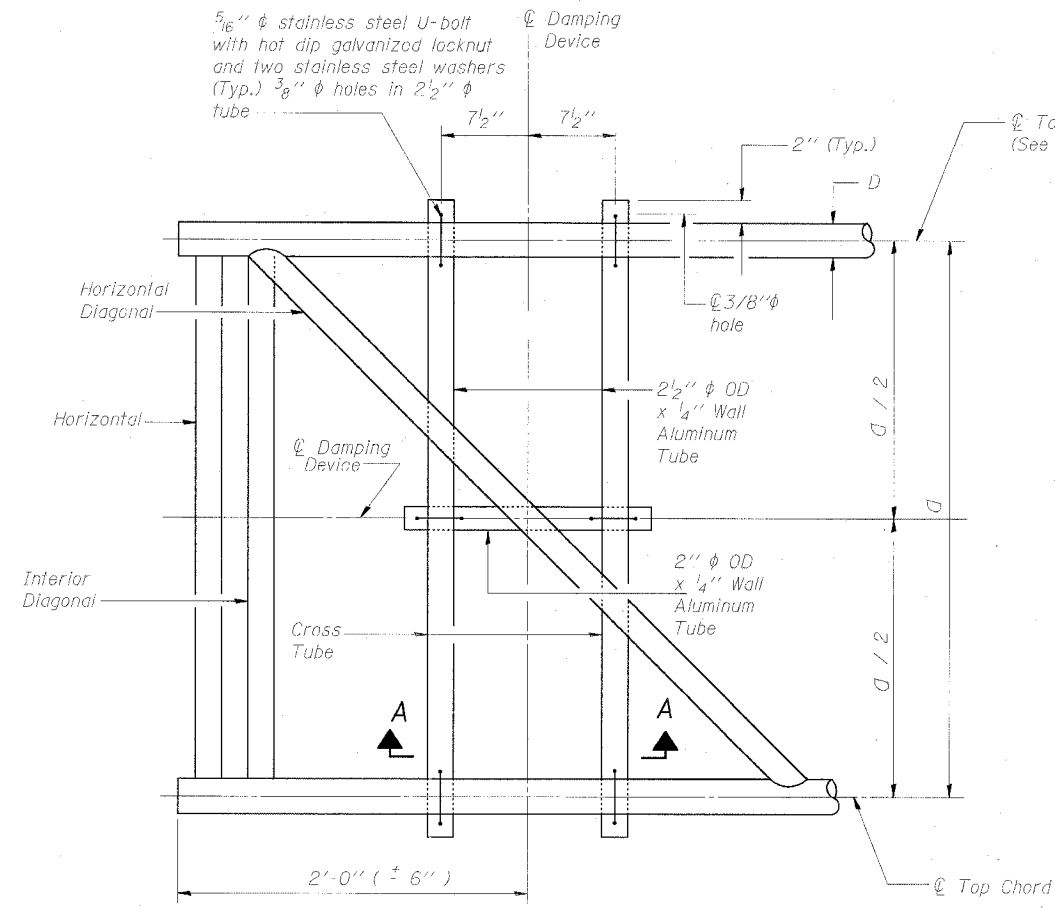
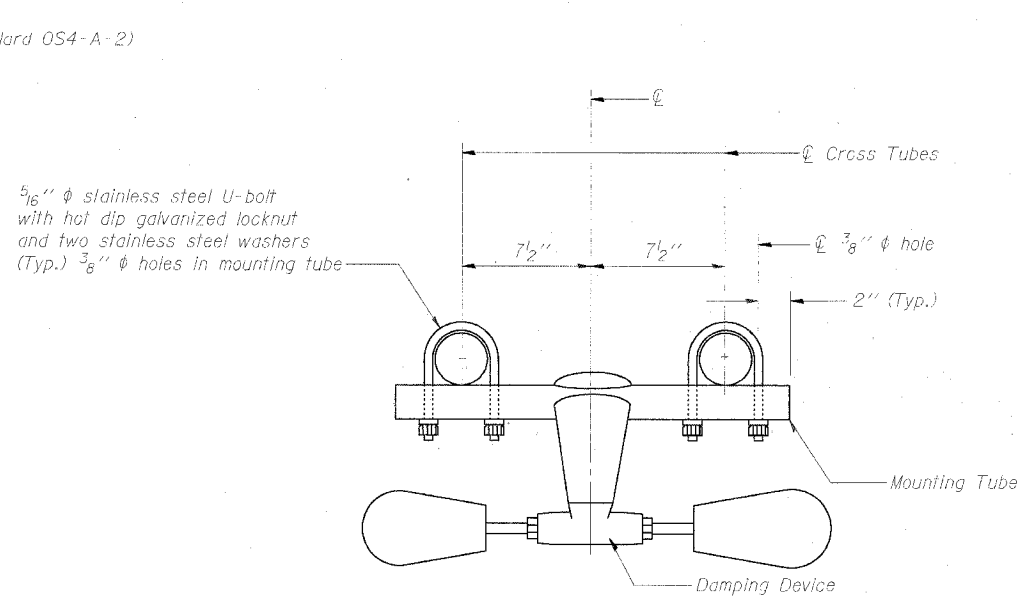


STATE OF ILLINOIS
DEPARTMENT OF TRANSPORTATION

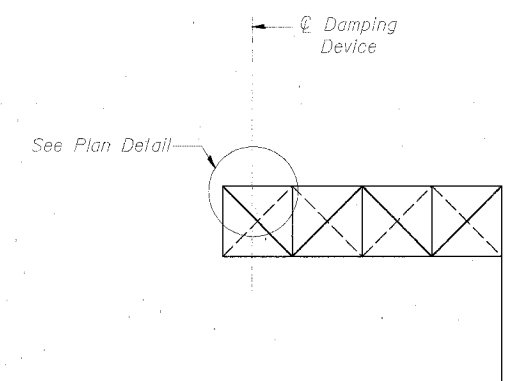
ROUTE NO.	SECTION	COUNTY	TOTAL SHEETS	SHEET NO.
94/90		COOK	598	327
FED. AID DIST. NO. 1	LL. INOBS	FED. AID PROJECT		
62302 • (1818, ETC, 2324.6-IPR-9)				



PLAN DETAIL



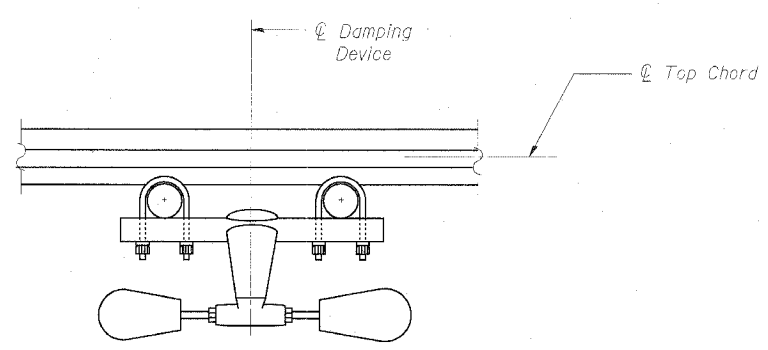
TRUSS DAMPING
DEVICE CONNECTION DETAIL



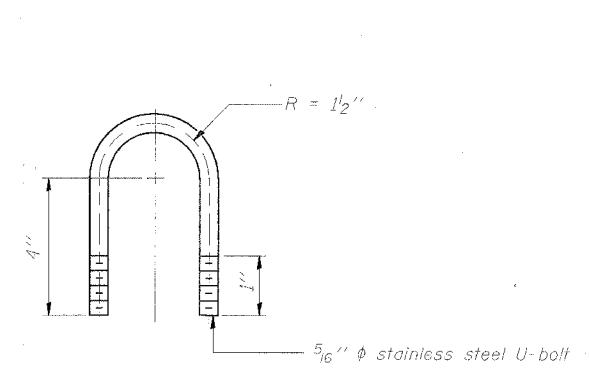
ELEVATION
Aluminum Cantilever
Sign Structure

GENERAL NOTES

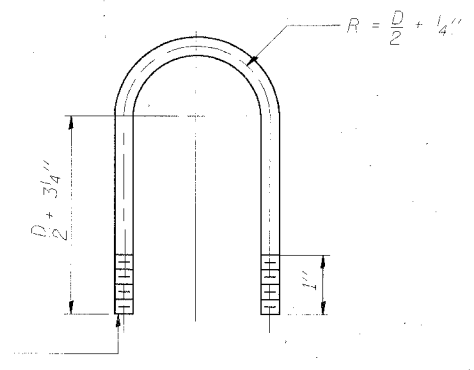
- Damper: One damper per truss. (31 lbs. Stockbridge-Type Aluminum)
- Materials: Aluminum tubes shall be ASTM B221 alloy 6061 temper T6



SECTION A-A



DAMPING DEVICE MOUNTING
TUBE U-BOLT DETAIL
(Typical)



TOP CHORD TO CROSS TUBE
U-BOLT DETAIL
(Typical)

DESIGNED	MSA	20
CHECKED	AS	EXAMINED
DRAWN	MD	PASSED
CHECKED	MSA	ENGINEER OF BRIDGES AND STRUCTURES

OSC-A-D 11/1/2002

SGN-30

**CANTILEVER SIGN STRUCTURE
DAMPING DEVICE**
ILLINOIS DEPARTMENT OF TRANSPORTATION
F.A.I. 94/90 (DAN RYAN EXPRESSWAY)
31ST STREET TO 71ST STREET
SB EXPRESS LANE RECONSTRUCTION
OVERHEAD SIGN STRUCTURES CANTILEVER