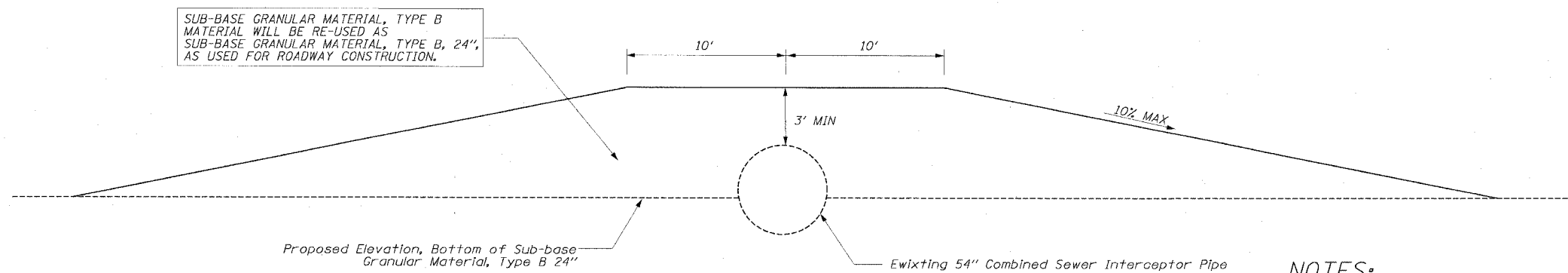


F.A.I. RTE.	SECTION	COUNTY	TOTAL SHEETS	SHEET NO.
94/90 *		COOK	598	388
STA. 7111+80.00	TO STA. 7114+90.00			
FED. ROAD DIST. NO.	ILLINOIS	FED. AID PROJECT		
62302	* (1818, ETC, 2324.6-1P)R-9			



54" SEWER INTERCEPTOR (STA. 1385+44 SB, 2385+64 NB)  
36" WATER MAIN (STA. 1533+28 SB, 2533+49 NB)  
CONSTRUCTION PROTECTION

**NOTES:**

1. Contractor will provide a minimum cover, as shown above at all times during construction and prior to the installation of the permanent Water Main/Sewer Protection Cap. Construction traffic shall not cross the water main/sewer pipe without protection in place.

2. CONTRACTOR IS RESPONSIBLE FOR THE INTEGRITY OF WATER MAIN/SEWER PIPE THROUGH THE DURATION OF THE PROJECT, AND WILL NOT BE PAID FOR ANY REPAIRS REQUIRED, AS DETERMINED BY THE ENGINEER, TO THE PIPE, DUE TO CONSTRUCTION ACTIVITIES.

**Edwards AND Kelcey**  
 ONE NORTH FRANKLIN  
 CHICAGO, IL 60606  
 PHONE: (312) 251-3000  
 FAX: (312) 251-3015  
 WEB: WWW.EKCORP.COM

REVISIONS	
NAME	DATE

CDT-1

ILLINOIS DEPARTMENT OF TRANSPORTATION  
 F.A.I. 94/90 (DAN RYAN EXPRESSWAY)  
 31ST STREET TO 71ST STREET  
 SB EXPRESS LANE RECONSTRUCTION

**CIVIL DETAILS  
 CONSTRUCTION PROTECTION**

SCALE: NOT TO SCALE      DRAWN BY: TAI  
 DATE: 7/7/05      CHECKED BY: DPB

06/24/2005 12:09:06 PM