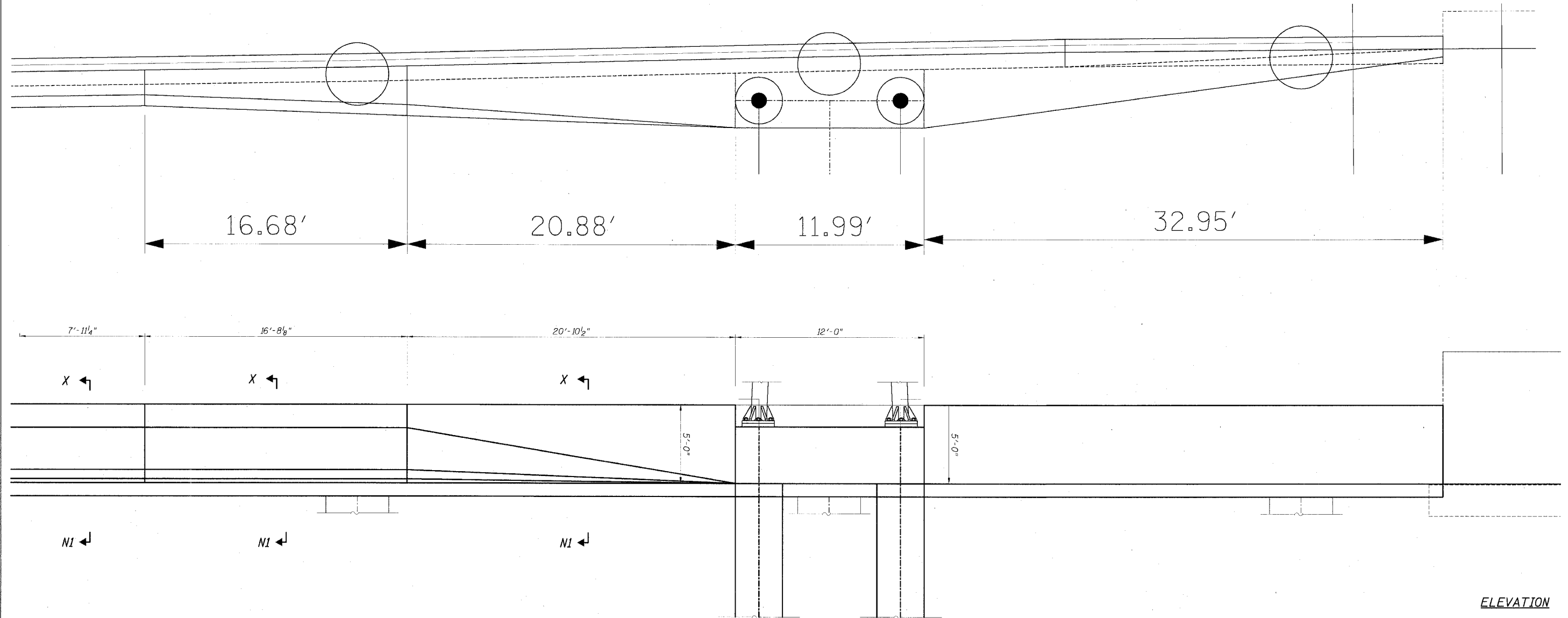


STATE OF ILLINOIS  
DEPARTMENT OF TRANSPORTATION

F.A.I. RTE. 90/94	SECTION •	COUNTY COOK	TOTAL SHEETS 598	SHEET NO. 424A
STA.		TO STA.		
FED. ROAD DIST. NO. 1 ILLINOIS FED. AID PROJECT				
• (1818, ETC. 2324.6-1)PR-9				62302



Sheet B17 of 18

REVISIONS	
NAME	DATE

ILLINOIS DEPARTMENT OF TRANSPORTATION  
F.A.I. 90/94 (DAN RYAN EXPRESSWAY)  
**EXISTING BARRIER WALL MODIFICATIONS  
AT CTA STATIONS**  
**PROPOSED T/S SHOULDER BELOW EXISTING  
REFACED BARRIER TO NEW SIGN STRUCTURE  
TRANSITION PLAN AND ELEVATION**  
SCALE: None DRAWN BY: JSS  
DATE: JULY 7, 2005 CHECKED BY: RDP

**CTE | AECOM**  
CTE  
901 East Wacker Drive, Suite 1400, Chicago, Illinois 60601-2076  
T 312.926.0200 F 312.926.1192 www.cte-aecom.com

6/24/2005 2:37:42 PM