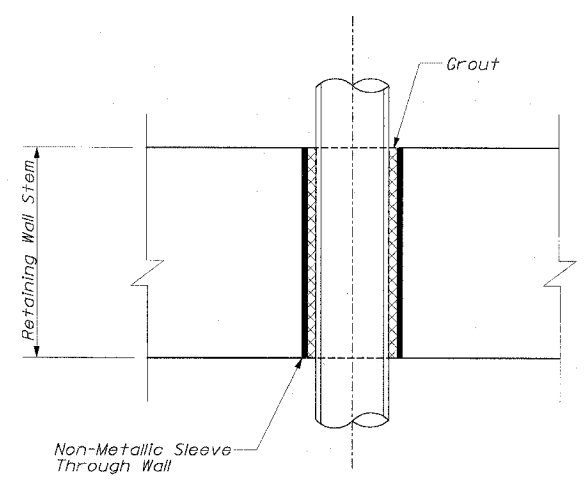


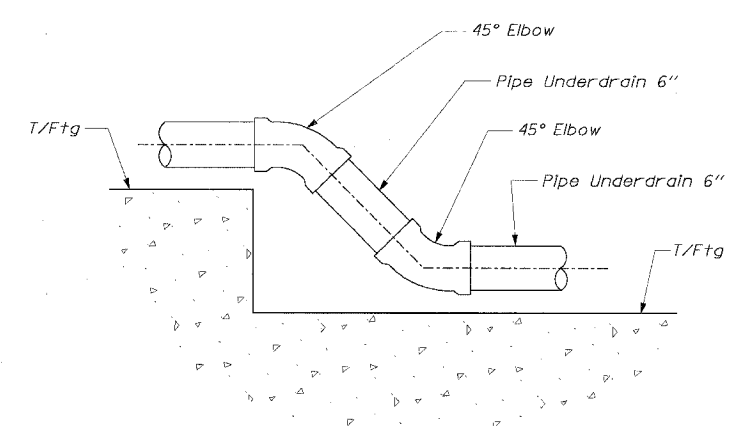
F.A.I. RTE.	SECTION	COUNTY	TOTAL SHEETS	SHEET NO.
94/90		COOK	598	445
STA.	TO STA.			
FED. ROAD DIST. NO. ILLINOIS FED. AID PROJECT				
62302 • (1818, ETC, 2324.6-1P)R-9				

### BILL OF MATERIAL

Bar	No.	Size	Length	Shape
e10(E)	264	#4	32'-2"	
e11(E)	120	#4	29'-10"	
e12(E)	12	#4	12'-8"	
d10(E)	984	#5	6'-0"	
d11(E)	984	#6	1'-5"	
d12(E)	984	#6	3'-11"	
h10(E)	440	#5	32'-2"	
h11(E)	200	#5	29'-10"	
h12(E)	20	#5	12'-8"	
h13(E)	10	#6	10'-0"	
n10(E)	984	#5	3'-4"	
n11(E)	984	#6	5'-0"	
s(E)	10	#5	6'-0"	
†10(E)	1975	#5	7'-8"	
v10(E)	181	#5	7'-2"	
v11(E)	362	#5	7'-10"	
v12(E)	349	#5	8'-3"	
v13(E)	92	#5	8'-10"	
v20(E)	181	#6	7'-2"	
v21(E)	362	#6	7'-10"	
v22(E)	349	#6	8'-3"	
v23(E)	92	#6	8'-10"	
w10(E)	108	#5	46'-8"	
w12(E)	18	#5	5'-9"	
w13(E)	18	#5	6'-5"	
w14(E)	9	#5	7'-2"	
w20(E)	342	#5	38'-0"	
w21(E)	18	#5	4'-0"	
w22(E)	18	#5	4'-6"	
w23(E)	9	#5	5'-0"	
w30(E)	18	#5	21'-4"	
Reinforcement Bars, Epoxy Coated		Pounds	109,910	
Concrete Structures		Cu. Yd.	865.0	
Concrete Superstructure		Cu. Yd.	86.0	

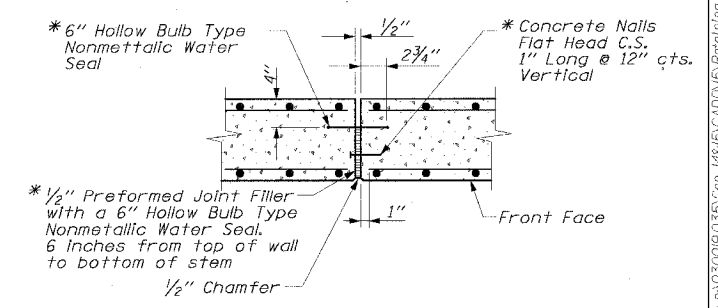


**Detail 1**  
Non-Metallic Sleeve and Grout  
Furnishing and Installing Non-Metallic Sleeve and Grout is included in the cost of Concrete Structures.

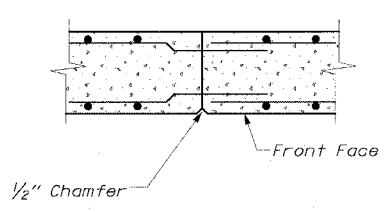


**Detail 2**  
45° Bend for Pipe Underdrain 6"

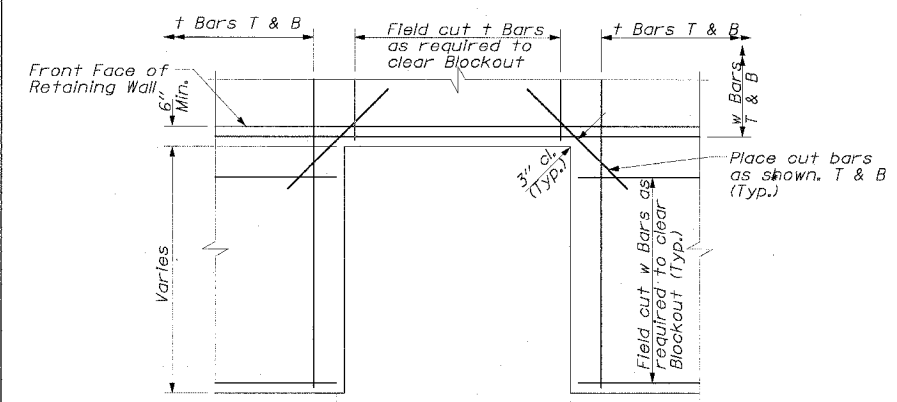
### WALL DRAINAGE DETAILS



**EXPANSION JOINT DETAIL**  
\* Cost Included with Concrete Structures



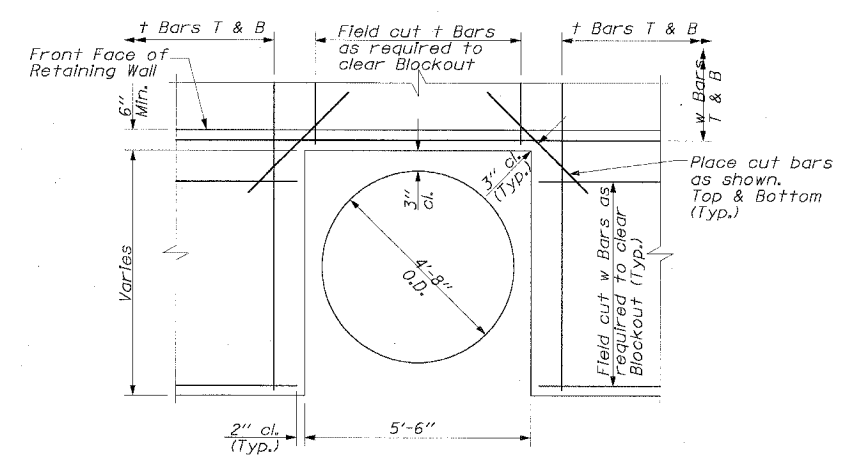
**CONSTRUCTION JOINT DETAIL**



### BLOCKOUT AT HANDHOLE

\*Note that the cost for field cutting and adjusting reinforcement to accommodate blockouts is included with the Pay Item "Reinforcement Bars, Epoxy Coated"

- NOTES:**
- Contractor to Field Coordinate/Verify Location of Existing And Proposed Catch Basin and Handholes (Station and Offset) prior to forming the blockouts.
  - See Drainage Plans for Proposed Catch Basin Locations.



### BLOCKOUT AT CATCH BASIN

\*Note that the cost for field cutting and adjusting reinforcement to accommodate blockouts is included with the Pay Item "Reinforcement Bars, Epoxy Coated"

**Edwards AND Kelcey**  
ONE NORTH FRANKLIN  
CHICAGO, IL 60606  
PHONE: (312) 251-3000  
FAX: (312) 251-3015  
WEB: WWW.EKCORP.COM

REVISIONS		SEL-11	
NAME	DATE	ILLINOIS DEPARTMENT OF TRANSPORTATION	
		F.A.I. 94/90 (DAN RYAN EXPRESSWAY)	
		31ST STREET TO 71ST STREET	
		SB EXPRESS LANE RECONSTRUCTION	
		RETAINING WALL SEL	
		GENERAL PLAN AND ELEVATION	
		SB STA. 1416+88.18 TO STA. 1421+97.41	
		STRUCTURE NO. NONE	
SCALE:		DRAWN BY: ABW	
DATE: 07/17/05	20' 40'	CHECKED BY: EL	

P:\030019\35\5\con\_148\5-CADD\5-Retaining\_Wall\Plan\Set 1\In\Verwall-H.dgn 06/24/2005 12:15:41 PM