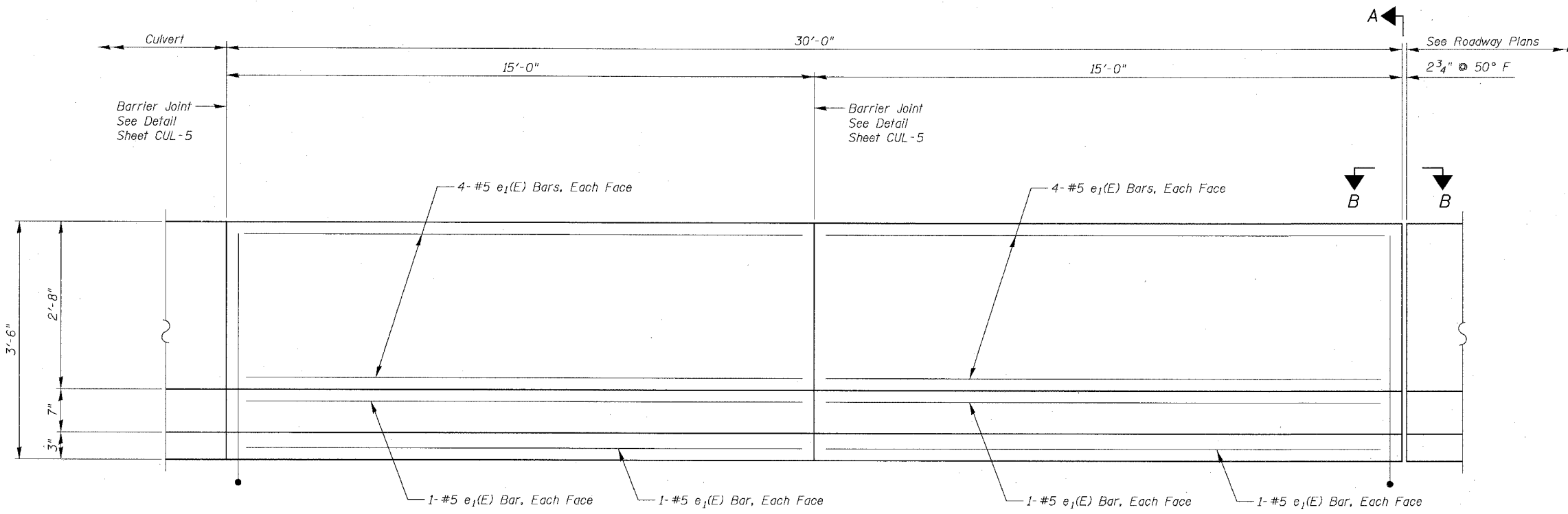


F.A.I.	SECTION	COUNTY	TOTAL SHEETS	SHEET NO.
94/90	*	COOK	598	481
STA.	TO STA.			
FED. ROAD DIST. NO.	ILLINOIS	FED. AID PROJECT		
62302		*1818, ETC, 2324.6-1PIR-9		

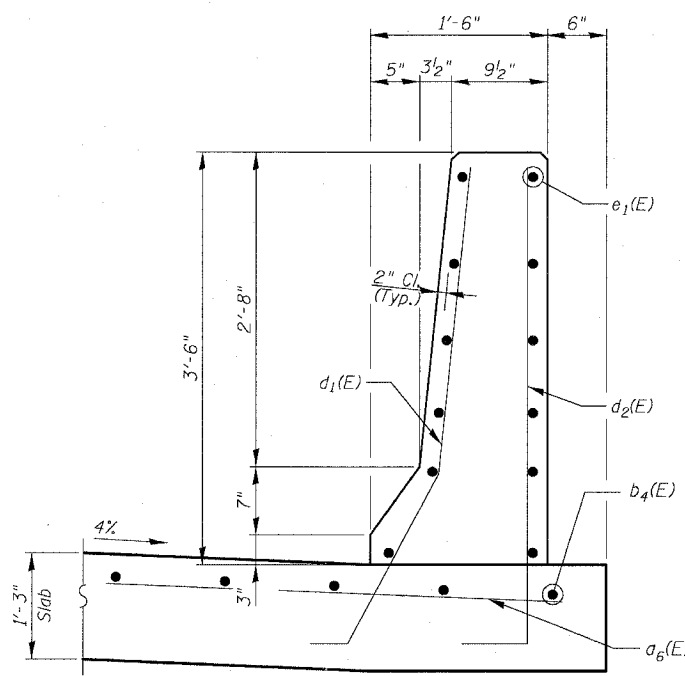
**APPROACH PAVEMENT
BILL OF MATERIAL
TOTAL FOR 2 APPROACH SLABS**

Bar	No.	Size	Length	Shape
a ₆ (E)	42	#6	4'-6"	—
b ₅ (E)	10	#5	29'-6"	—
d ₁ (E)	60	#6	5'-7"	L
d ₂ (E)	60	#5	5'-9"	L
e(E)	48	#5	14'-8"	—
Bridge Approach Pavement			Sq. Yd.	452
Concrete Superstructure			Cu. Yd.	8.1
Protective Coat			Sq. Yd.	25
Reinforcement Bars, Epoxy Coated			Pound	2,190
Bar Splicers			Each	124
CTA Fence			Foot	60

See IDOT Standard 420401 for typical approach pavement reinforcing and details.
Additional reinforcement bars, bar splicers, and concrete for single face barrier not shown on Sid. 420401 shall be paid for as Reinforcement Bars, Epoxy Coated, Bar Splicers, and Concrete Superstructure.
Reinforcement bars designated (E) shall be epoxy coated.
CTA Fence not shown for clarity. See Roadway Plans for fence details.
See Sheet CUL-4 for treatment of Approach Slab/Culvert Slab joint.
Apply Protective Coat to top and inside face of single face barrier.

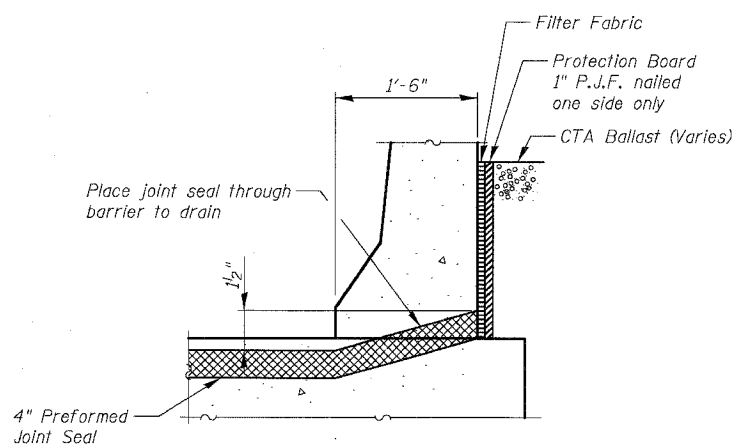


INSIDE ELEVATION OF SINGLE FACE BARRIER ON APPROACH PAVEMENT

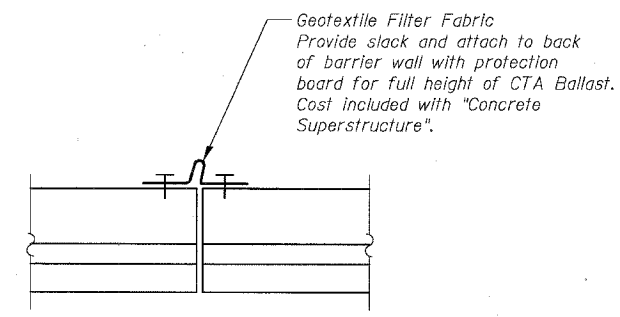


SECTION THRU SINGLE FACE BARRIER

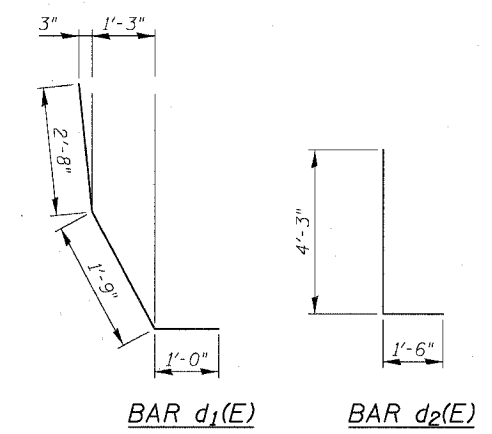
Note: Standard Approach Pavement reinforcement not shown for clarity



SECTION A-A



VIEW B-B



BAR d₁(E)

BAR d₂(E)

REVISIONS	
NAME	DATE

SHEET CUL-7 OF CUL-14

ILLINOIS DEPARTMENT OF TRANSPORTATION
F.A.I. 94/90 (DAN RYAN EXPRESSWAY)
31ST STREET TO 71ST STREET
SB EXPRESS LANE RECONSTRUCTION
MWRD CULVERT, N. OF 39TH ST.,
COOK COUNTY, S.N. 016-2625
APPROACH SLAB DETAILS 2

SCALE: N.T.S. DRAWN BY: MTR
DATE: 07/07/05 CHECKED BY: BLU

BOWMAN, BARRETT & ASSOCIATES INC.
CONSULTING ENGINEERS
Chicago, Illinois
312.228.0100
www.bbairc.com