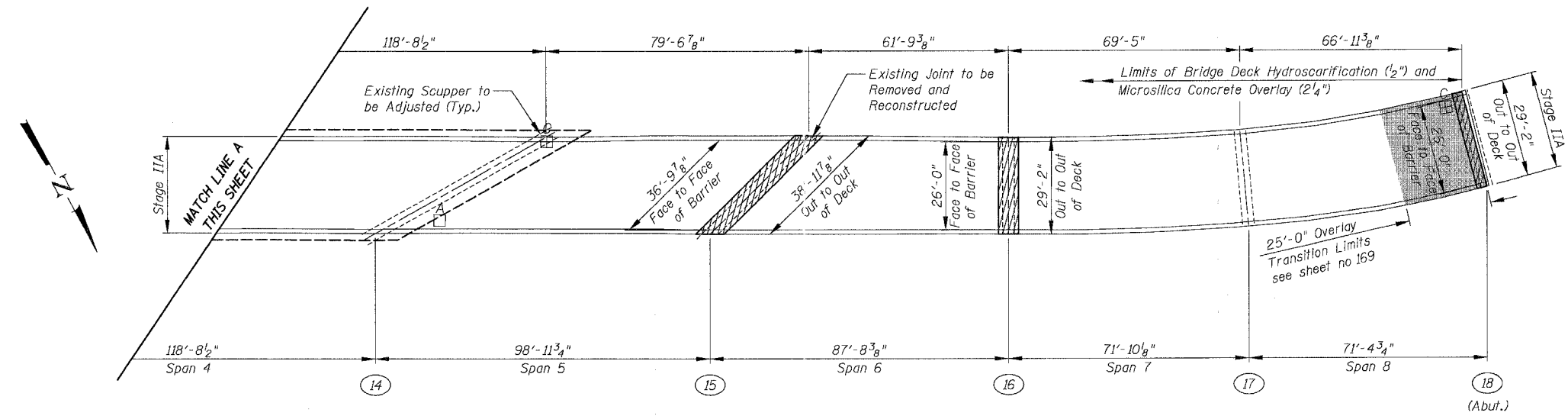
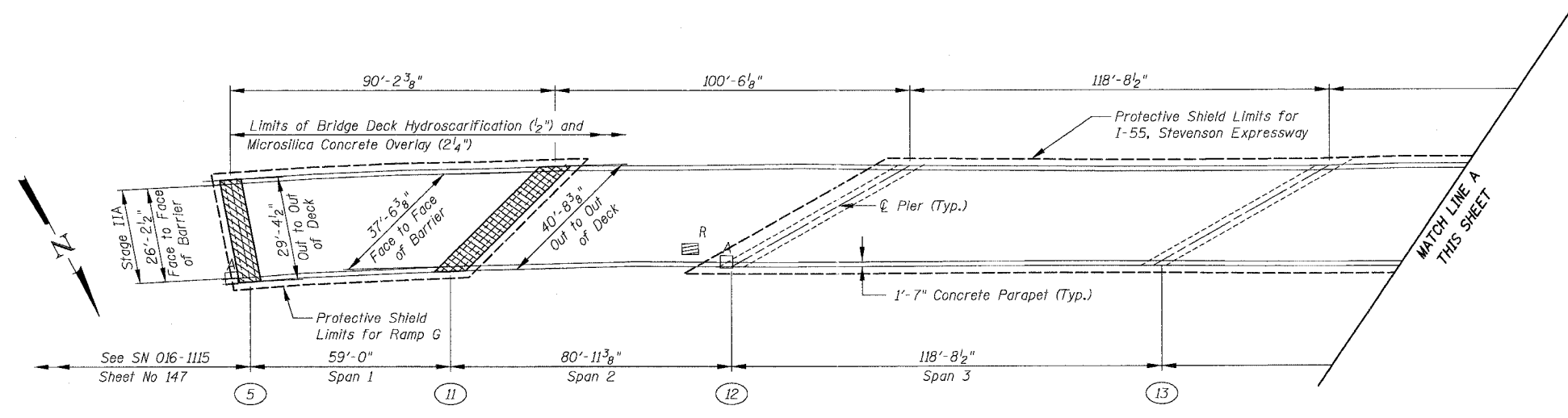


F.A.I.	SECTION	COUNTY	TOTAL SHEETS	SHEET NO.
94/90	2003-028F	COOK	419	148
STA.	TO STA.			
FED. ROAD DIST. NO.	ILLINOIS	FED. AID PROJECT		
62580				



SN 016-1140 PARTIAL DECK PLAN



SN 016-1140 PARTIAL DECK PLAN

BOWMAN, BARRETT & ASSOCIATES INC
 CONSULTING ENGINEERS
 Chicago, Illinois
 312.228.0100
 www.bbainc.com

For Notes and Legend See Sheet 143

REVISIONS	
NAME	DATE

ILLINOIS DEPARTMENT OF TRANSPORTATION
 F.A.I. 94/90 (DAN RYAN EXPRESSWAY)
 NB DAN RYAN ELEVATED BRIDGE
 REPAIR FROM 15TH TO 28TH STREETS
 PARTIAL DECK PLAN
 SN 016-1140 (RAMP B)

SCALE: 1"=20'
 DATE: 8/12/2005

DRAWN BY: BDC
 CHECKED BY: BLU

8/11/2005 10:29:59 AM