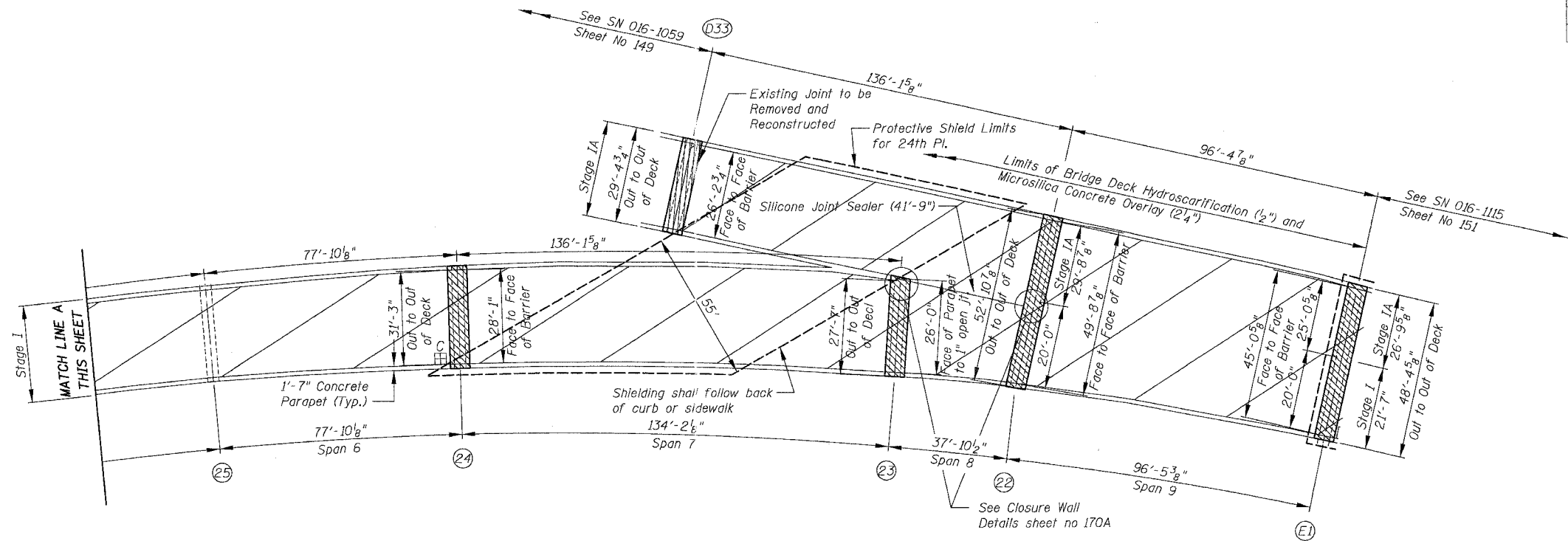
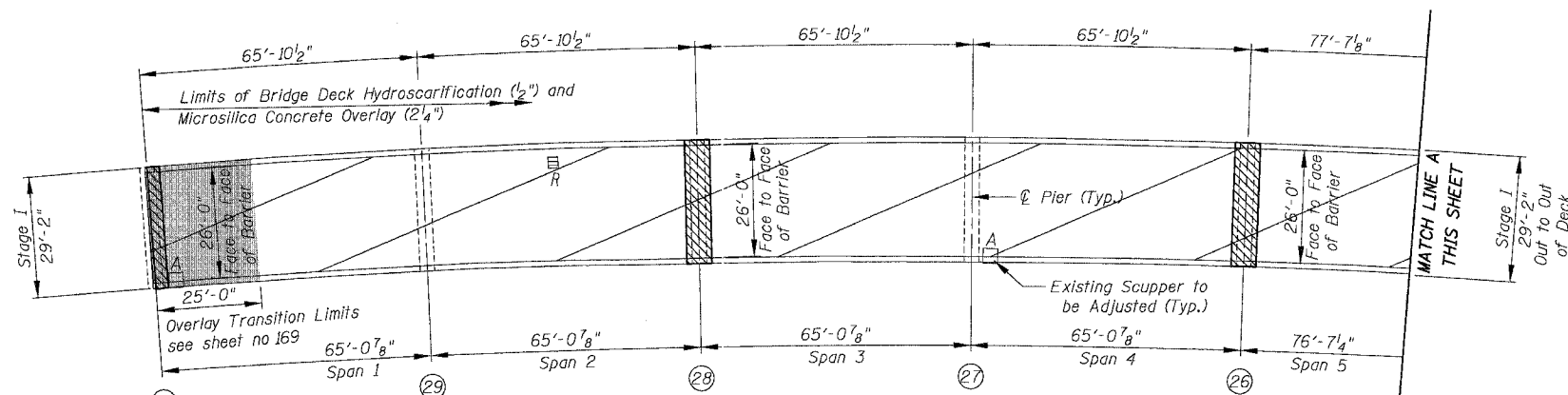


F.A.I.	SECTION	COUNTY	TOTAL SHEETS	SHEET NO.
94/90	2003-028F	COOK	419	150
STA.	TO STA.			
FED. ROAD DIST. NO.	ILLINOIS	FED. AID PROJECT		
62580				



**SN 016-1047 PARTIAL DECK PLAN**



**SN 016-1047 PARTIAL DECK PLAN**

BOWMAN, BARRETT & ASSOCIATES INC.  
CONSULTING ENGINEERS  
Chicago, Illinois  
312.228.0100  
www.bbainc.com

For Notes and Legend See Sheet 143

REVISIONS	
NAME	DATE

ILLINOIS DEPARTMENT OF TRANSPORTATION  
F.A.I. 94/90 (DAN RYAN EXPRESSWAY)  
NB DAN RYAN ELEVATED BRIDGE  
REPAIR FROM 15TH TO 28TH STREETS  
PARTIAL DECK PLAN  
SN 016-1047 (RAMP E)

SCALE: 1"=20'  
DATE: 8/12/2005

DRAWN BY: BDC  
CHECKED BY: BLU

10/25/2005 8/11/2005