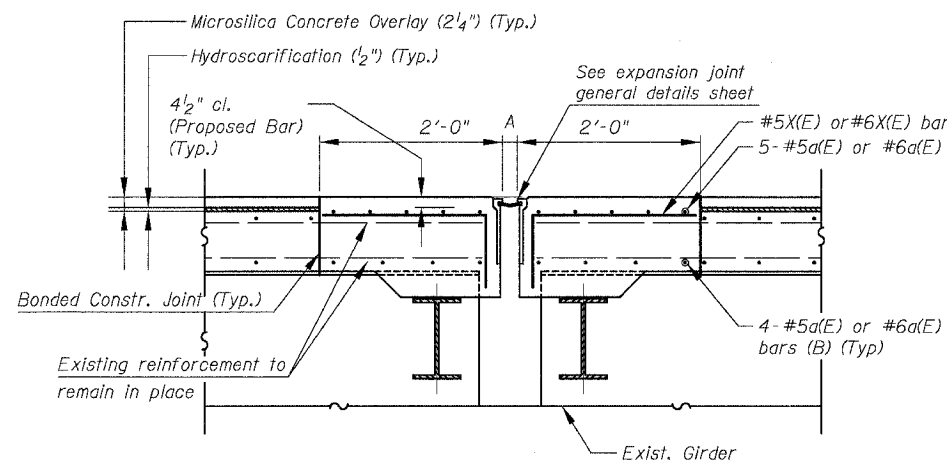


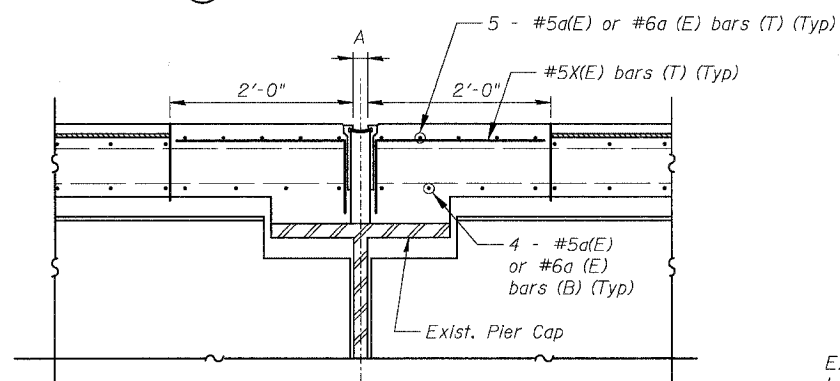
F.A.I.	SECTION	COUNTY	TOTAL SHEETS	SHEET NO.
94/90	2003-028F	COOK	419	163
STA.		TO STA.		
FED. ROAD DIST. NO.	ILLINOIS	FED. AID PROJECT		
62580				

PROPOSED JOINTS

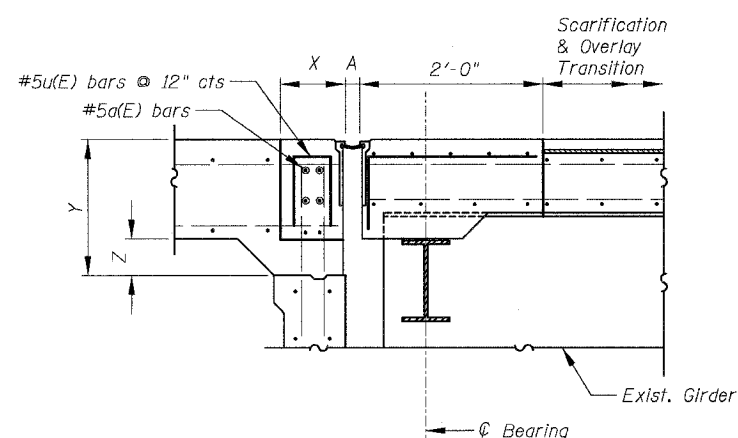
(Only Strip Seal types shown)



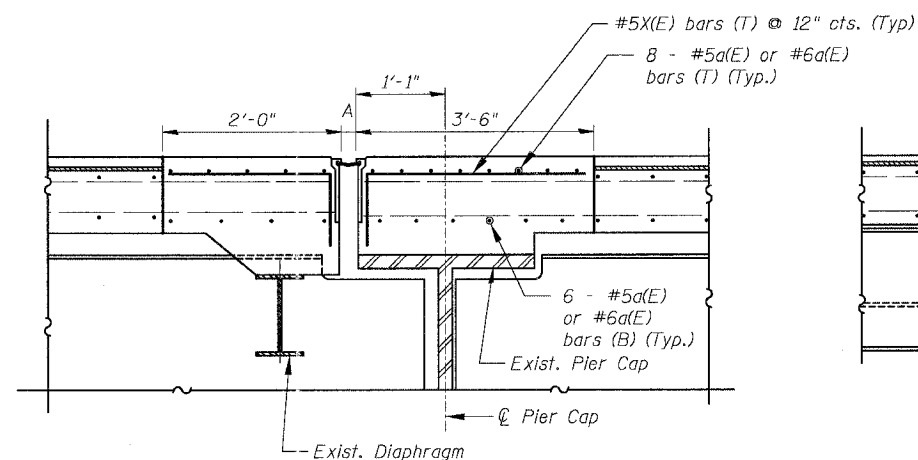
① SECTION AT PIER



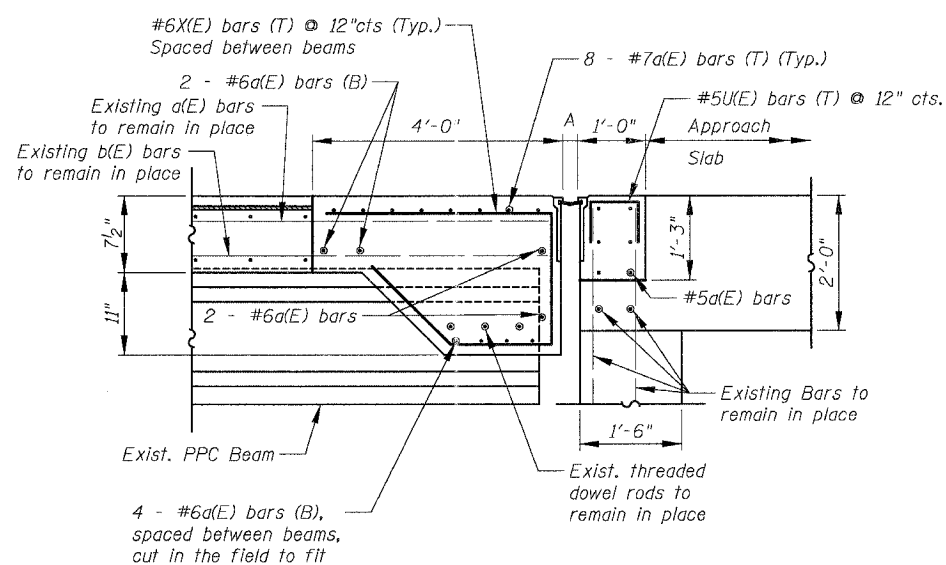
② SECTION AT STEEL PIER CAP



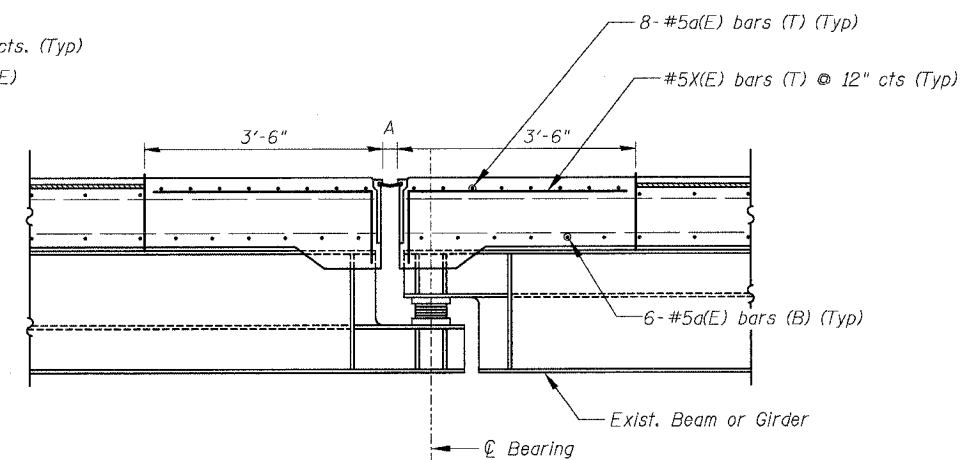
③ SECTION AT ABUTMENT



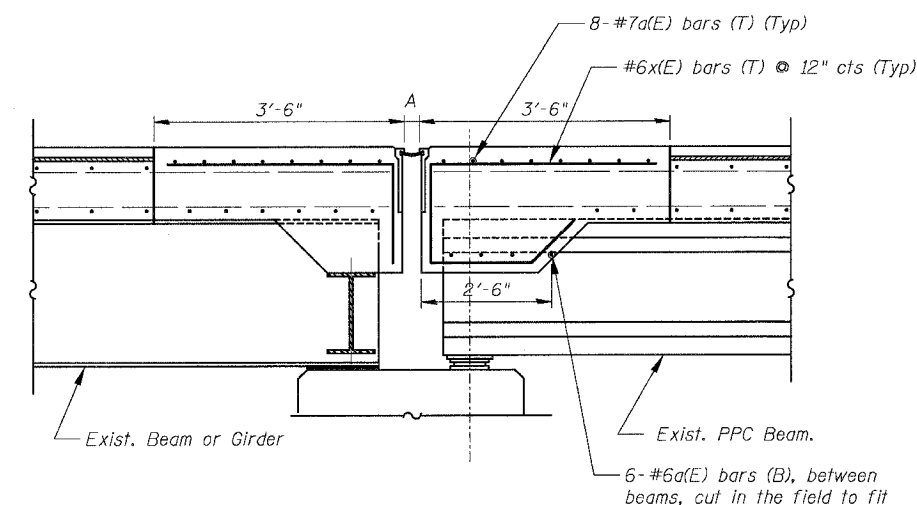
④ SECTION AT STEEL PIER CAP



⑤ SECTION AT ABUTMENT



⑥ SECTION AT SUSPENDED SPAN



⑦ SECTION AT PIER

ABBREVIATIONS

T - Top
B - Bottom

Notes:

For bar designations, number of bars and bar lengths see sheets 171 to 178.
For joint size and location see sheets 160 and 161.
Existing Reinforcement Bars shown are to be cleaned, straightened and incorporated into new construction.
All joints between new and old concrete shall be bonded construction joints.
Reinforcement bars designated (E) shall be epoxy coated.
For Scarification and Overlay Transition Detail, see sheet no 169.
All dimensions shown are at right angle to the centerline of the Piers or Abutments

STRUCTURE	PIER	X	Y	Z
016-1111	E5 / Abut.	1'-0"	1'-6"	0"
016-1112	D14 / Abut.	1'-0"	1'-3"	0"
016-1140	B18 / Abut.	1'-3 3/8"	1'-6"	1 1/2"
016-1047	E30 / Abut.	1'-3 3/8"	1'-6"	1 1/2"
016-1117	S. Abut.	1'-3"	1'-1"	0"
016-1118	S. Abut.	1'-3"	1'-1"	0"

BOWMAN, BARRETT & ASSOCIATES INC.
CONSULTING ENGINEERS
Chicago, Illinois
312 228-0100
www.bbainc.com

REVISIONS	DATE
NAME	

ILLINOIS DEPARTMENT OF TRANSPORTATION
F.A.I. 94/90 (DAN RYAN EXPRESSWAY)
NB DAN RYAN ELEVATED BRIDGE
REPAIR FROM 15TH TO 28TH STREETS
TYPICAL SECTIONS
PROPOSED JOINTS

SCALE: NTS
DATE: 8/12/2005
DRAWN BY: BDC
CHECKED BY: BLU