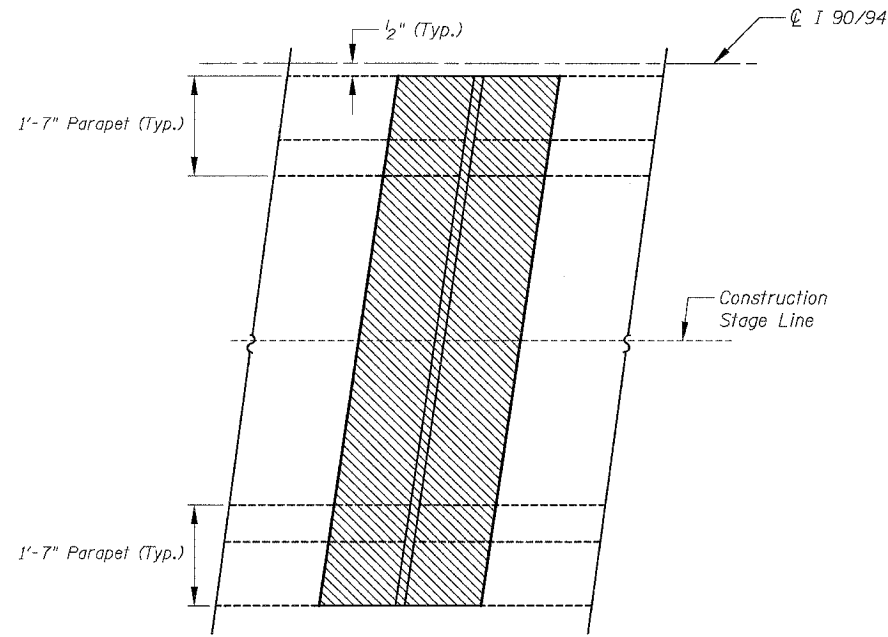
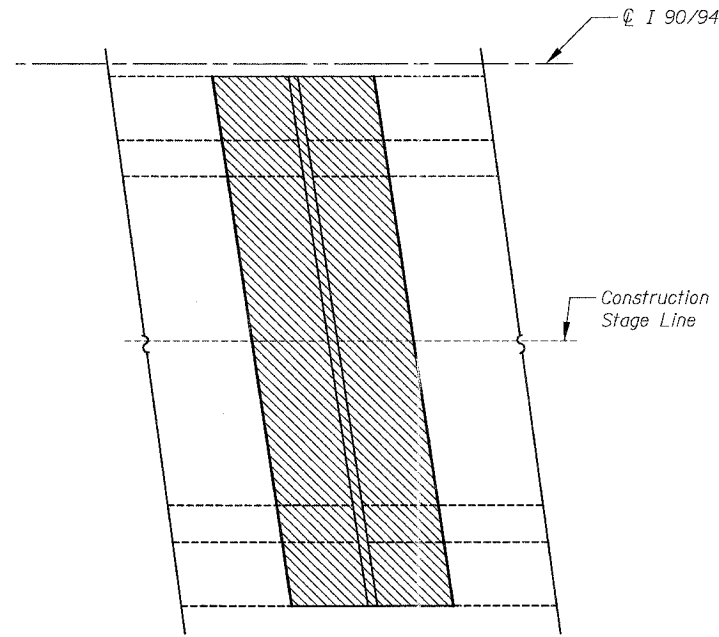


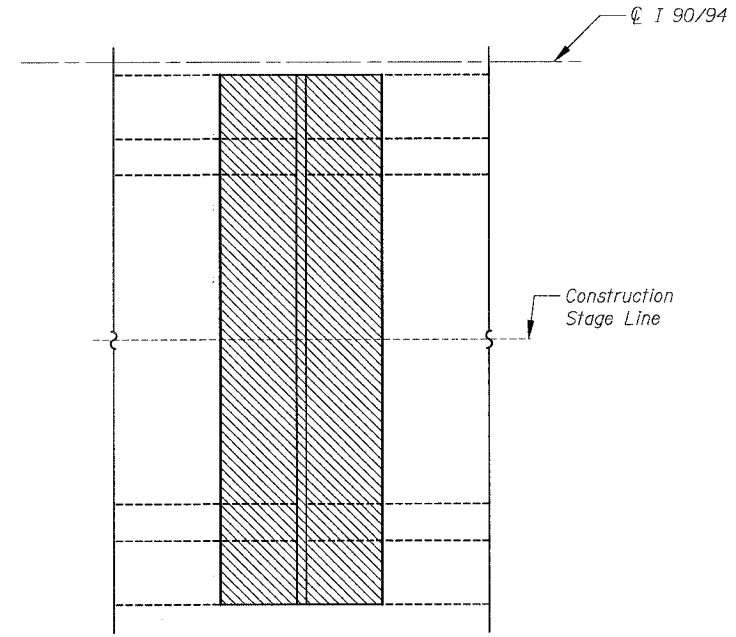
F.A.I.	SECTION	COUNTY	TOTAL SHEETS	SHEET NO.
94/90	2003-028F	COOK	419	165
STA.		TO STA.		
FED. ROAD DIST. NO.		ILLINOIS FED. AID PROJECT		
62580				



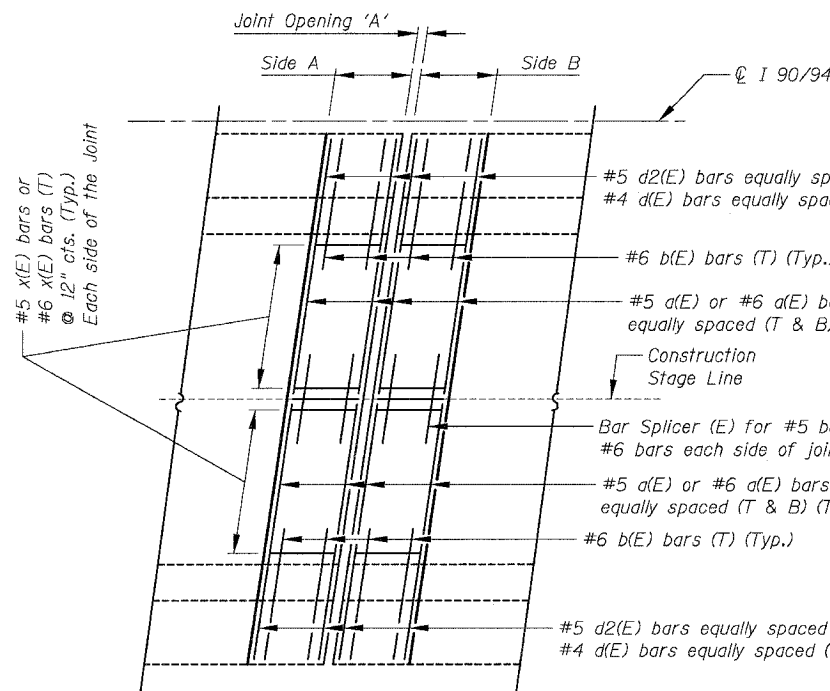
**EXISTING PARTIAL PLAN  
(SKEWED LEFT FORWARD)**



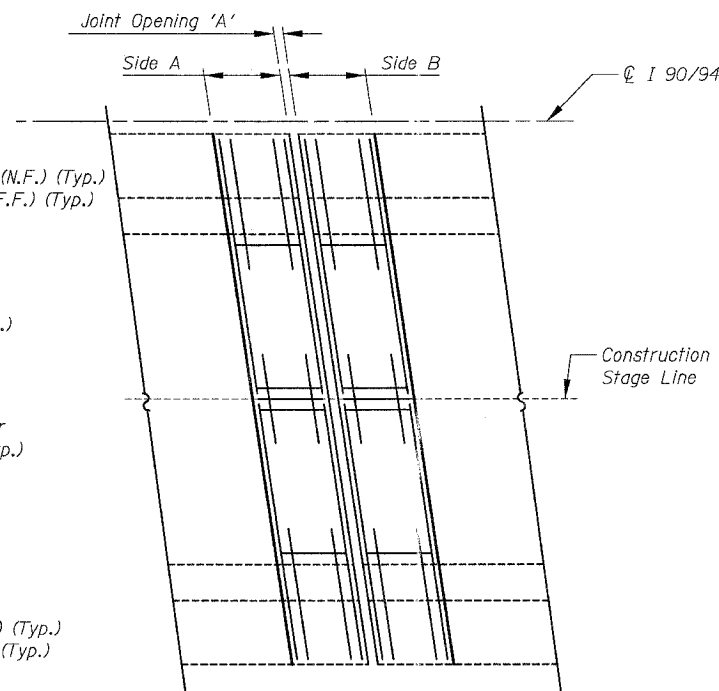
**EXISTING PARTIAL PLAN  
(SKEWED RIGHT FORWARD)**



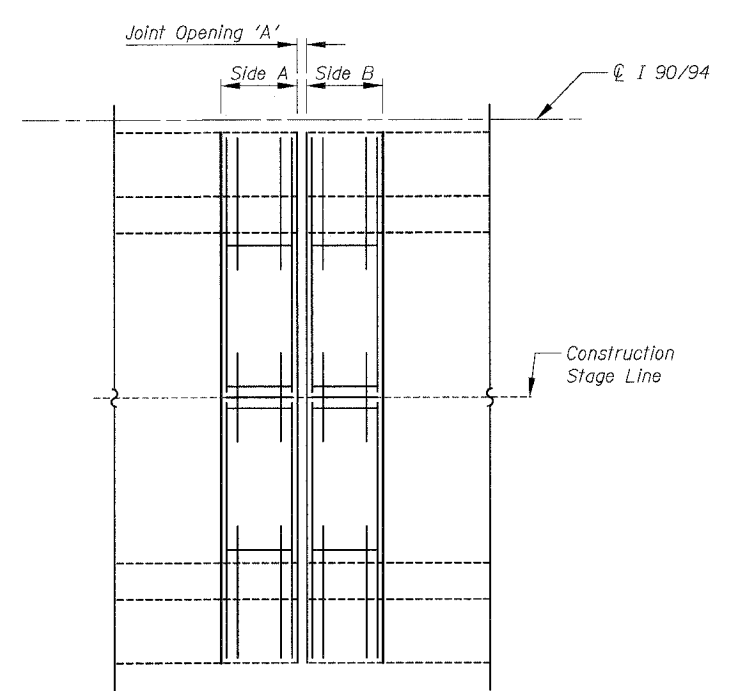
**EXISTING PARTIAL PLAN  
(NO SKEW)**



**(D) PROPOSED PARTIAL PLAN  
(STAGED CONSTRUCTION)  
(SKEWED LEFT FORWARD)**



**(E) PROPOSED PARTIAL PLAN  
(STAGED CONSTRUCTION)  
(SKEWED RIGHT FORWARD)**



**(F) PROPOSED PARTIAL PLAN  
(STAGED CONSTRUCTION)  
(NO SKEW)**

BOWMAN, BARRETT & ASSOCIATES INC.  
CONSULTING ENGINEERS  
Chicago, Illinois 312.228.0100  
www.bbainc.com



For Notes, Legend, Abbreviations and Reinforcement Bar Locations see sheet 164

REVISIONS	
NAME	DATE

ILLINOIS DEPARTMENT OF TRANSPORTATION  
F.A.I. 94/90 (DAN RYAN EXPRESSWAY)  
NB DAN RYAN ELEVATED BRIDGE  
REPAIR FROM 15TH TO 28TH STREETS  
TYPICAL PARTIAL PLAN  
AT STAGED ROADWAYS

SCALE: NTS  
DATE: 8/12/2005

DRAWN BY: BDC  
CHECKED BY: BLU

8/11/2005 11:54:42 AM