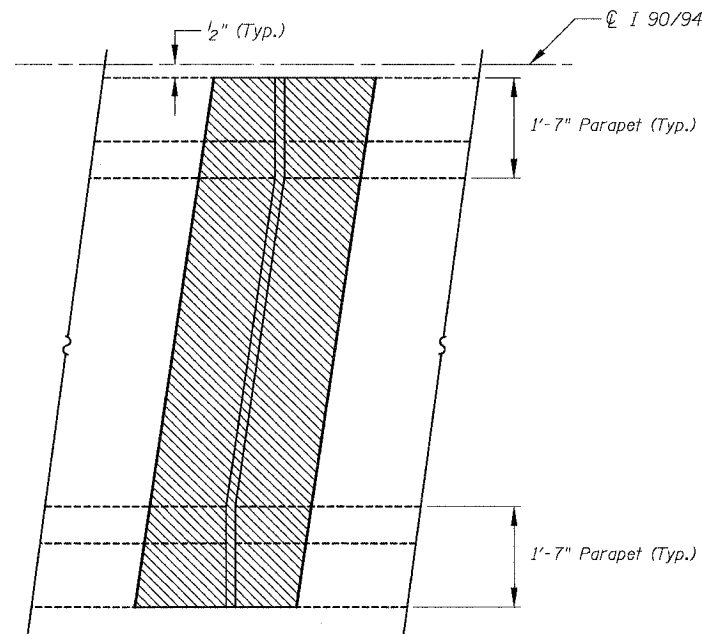
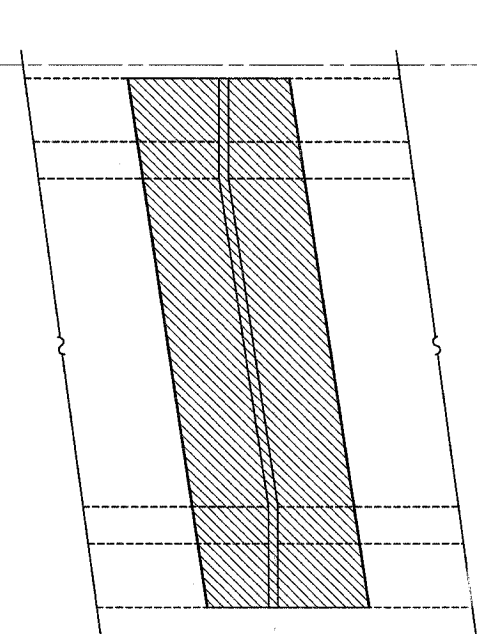


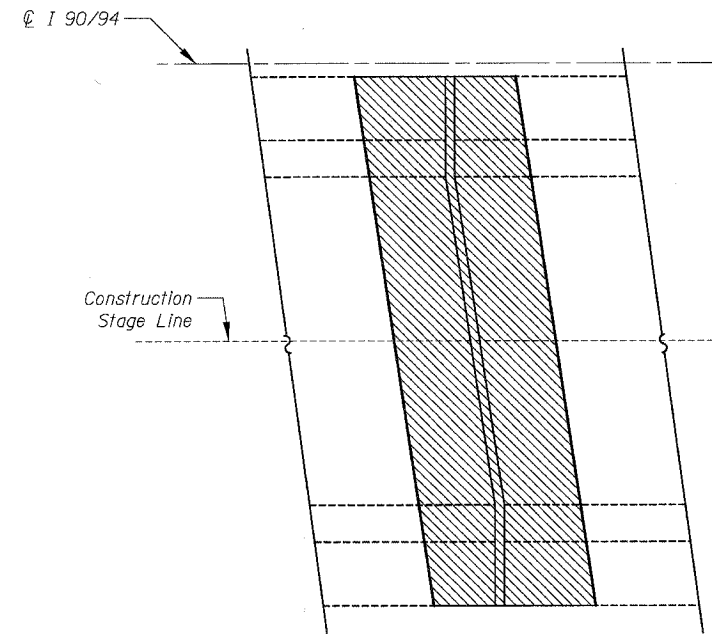
F.A.I.	SECTION	COUNTY	TOTAL SHEETS	SHEET NO.
94/90	2003-028F	COOK	419	166
STA.	TO STA.			
FED. ROAD DIST. NO.	ILLINOIS	FED. AID PROJECT		
62580				



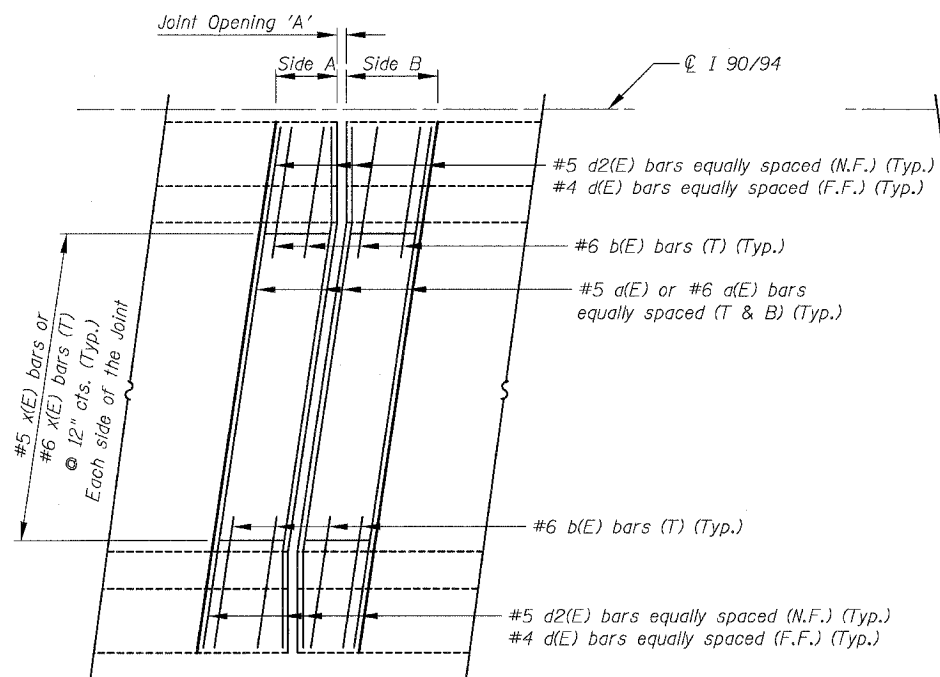
**EXISTING PARTIAL PLAN
(SKEWED LEFT FORWARD)**



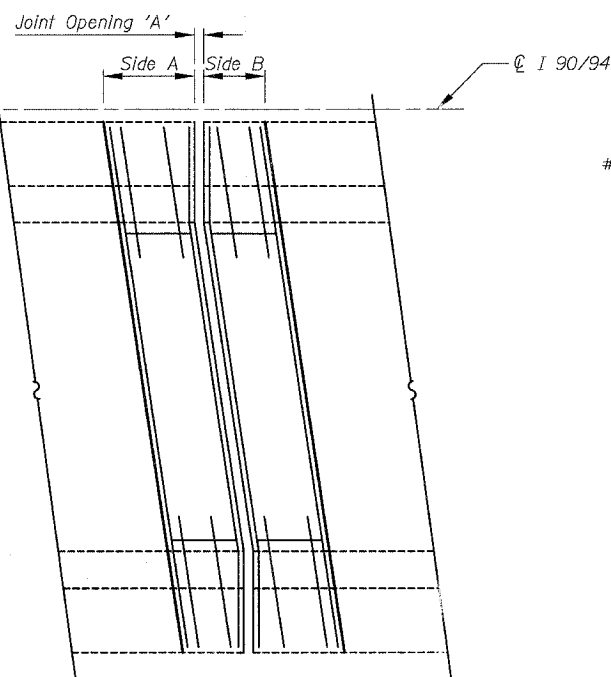
**EXISTING PARTIAL PLAN
(SKEWED RIGHT FORWARD)**



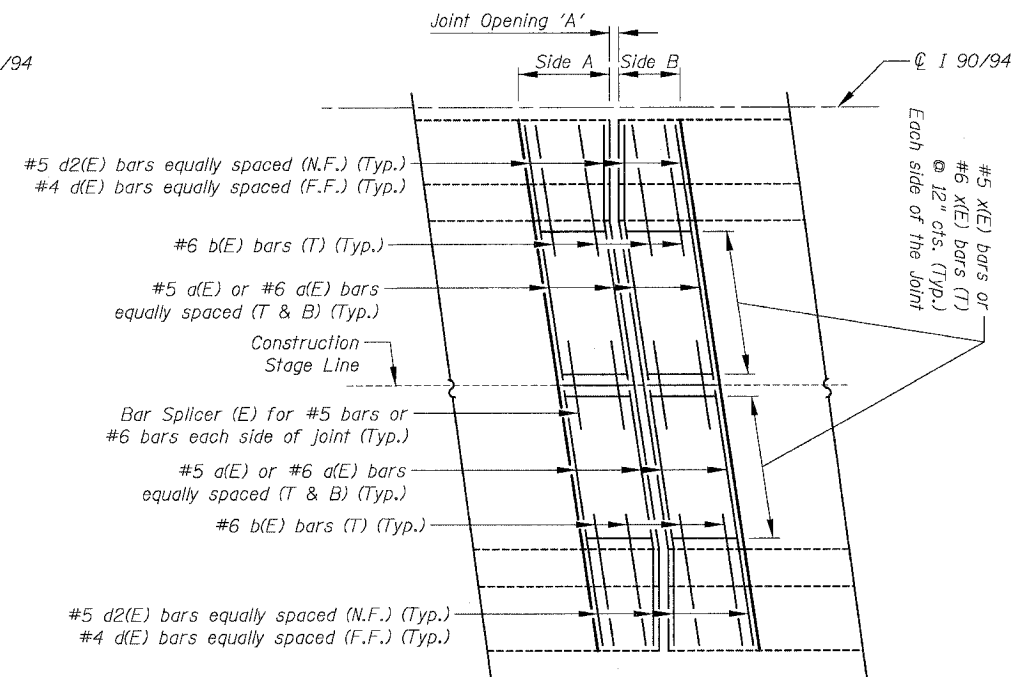
**EXISTING PARTIAL PLAN
(SKEWED RIGHT FORWARD)**



**Ⓒ PROPOSED PARTIAL PLAN
(NON-STAGED CONSTRUCTION)
(SKEWED LEFT FORWARD > 30°-0'-0")
(Strip Seal Joints)**



**⒣ PROPOSED PARTIAL PLAN
(NON-STAGED CONSTRUCTION)
(SKEWED RIGHT FORWARD > 30°-0'-0")
(Strip Seal Joints)**



**Ⓓ PROPOSED PARTIAL PLAN
(STAGED CONSTRUCTION)
(SKEWED RIGHT FORWARD > 30°-0'-0")
(Strip Seal Joints)**

BOWMAN, BARRETT & ASSOCIATES INC.
CONSULTING ENGINEERS
Chicago, Illinois
312.228.0100
www.bbainc.com

For Notes, Legend, Abbreviations and Reinforcement Bar Locations see sheet 164

REVISIONS	
NAME	DATE

ILLINOIS DEPARTMENT OF TRANSPORTATION
F.A.I. 94/90 (DAN RYAN EXPRESSWAY)
NB DAN RYAN ELEVATED BRIDGE
REPAIR FROM 15TH TO 28TH STREETS
TYPICAL PARTIAL PLAN AT STAGED
AND NON STAGED ROADWAYS
SCALE: NTS
DATE: 8/12/2005
DRAWN BY: BDC
CHECKED BY: BLU

8/11/2005 11:54:42 AM